

Part number

CR 16 SSD



Cable anchorage, for cables outside enclosure, equipped with grip handle , for inserts size "77.27" and frames for 4 inserts

Product description	
Product type	Cable anchorage
Size	Size 77.27
Specification	For standard inserts and MIXO, for cables outside enclosure, equipped with grip handle In zinc plated iron
Further technical details	
Weight	42,00 g

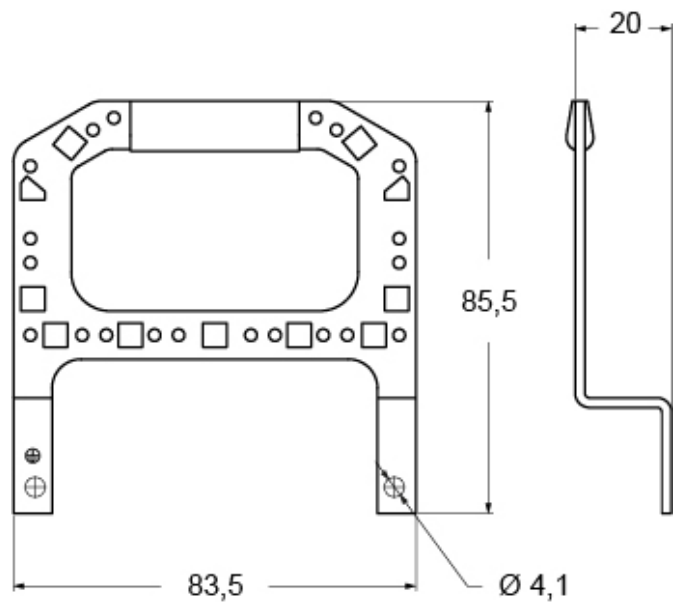
General ordering information	
EAN13 code	8015747260695
eCl@ss 8.1	27449290
ETIM 7.0	EC002943
Packaging Information	
Sub-packaging weight	0,04 kg
Sub-packaging description	Plastic bag
Sub-packaging quantity	1 Pcs
Sub-packaging EAN barcode	8015747260701

Part number

CR 16 SSD



Catalogue drawings



Notes

Dimensions shown in mm are not binding and may be changed without notice.
