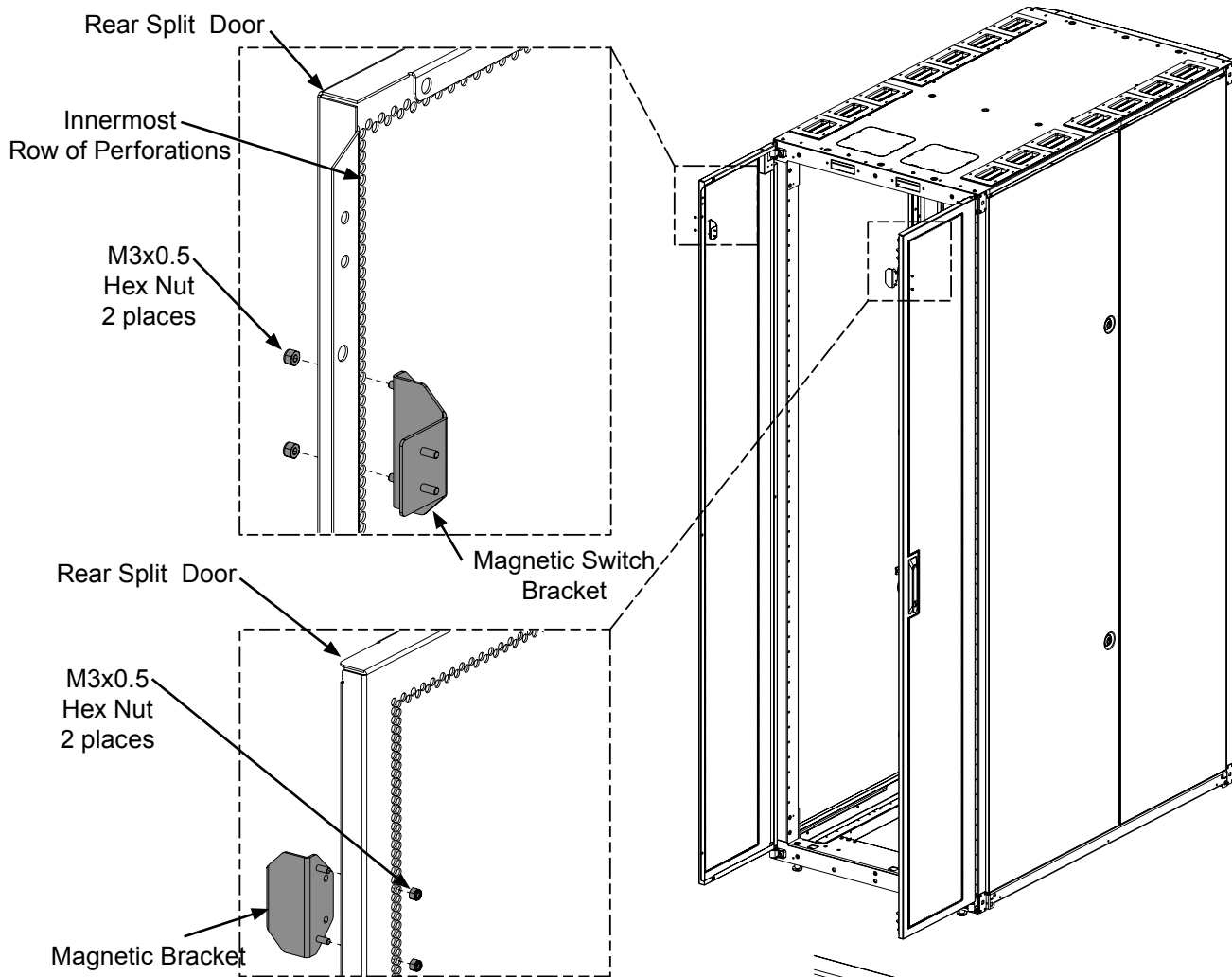
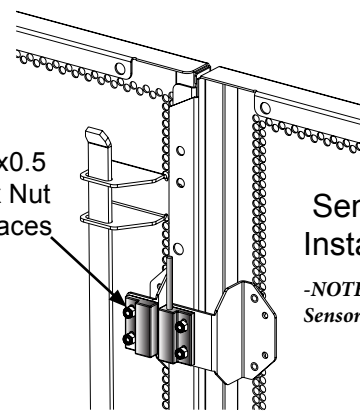
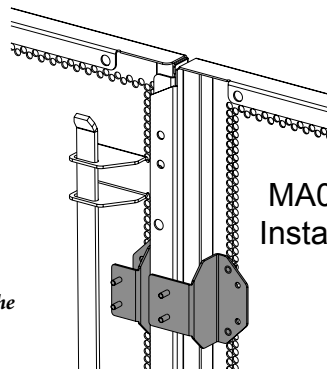


## Installation of Back Door Switch Bracket

- Install the Magnetic Switch Bracket to innermost row of perforations on the inside of the appropriate Rear Split Door using (2) M3x0.5 Hex nut
- Locate the Magnet Bracket on the innermost row of perforations (position the Magnet Bracket the same distance from the top as the Magnetic Switch Bracket installed on the opposite Rear Split Door)
- Install the Magnet Bracket using (2) M3x0.5 Hex nut



Magnetic Bracket



Sensor Installed

-NOTE- ACA01 or ACB01 Sensors Not included in MA016 kit

### Tool List:

- 7/32 Socket

-NOTE- Rear Door Sensor Bracket can be installed on split rear doors for the N-Type and S-Type cabinets.

For Instructions in Local Languages and Technical Support:

[www.panduit.com/resources/install\\_maintain.asp](http://www.panduit.com/resources/install_maintain.asp)

# PANDUIT

[www.panduit.com](http://www.panduit.com)

E-mail: [techsupport@panduit.com](mailto:techsupport@panduit.com)

Phone: 866-405-6654