



Product designation	Automatic battery chargers
Product type designation	BCE
Type	Single phase automatic battery charger 1 charging level for lead-acid batteries

Power supply

Rated voltage Us	min	VAC	220
	Max	VAC	240 ±10%
<hr/>			
Operational frequency	min	Hz	50 ±5%
	max	Hz	60 ±5%
<hr/>			
Power consumption	Max	VA	117
	Max	W	24

Charging cycle

Reference standards	IEC60335-2-29
Battery type	lead-acid
Battery voltage	VDC 12
Charging voltage (Uc)	13.8
Charging current (Ic)	A 3
Charging current adjustment	% Ic 30 to 100

Protections	Battery output fuse; charging inhibition due to: 1. Short circuit at battery terminals; 2. Reverse battery polarity; 3. Low voltage at battery poles; 4. Output overload.
-------------	---

External fuse	1
---------------	---

Indications

LED indicator for operating status	Yes
LED reverse battery polarity	Yes

Alarm output circuit

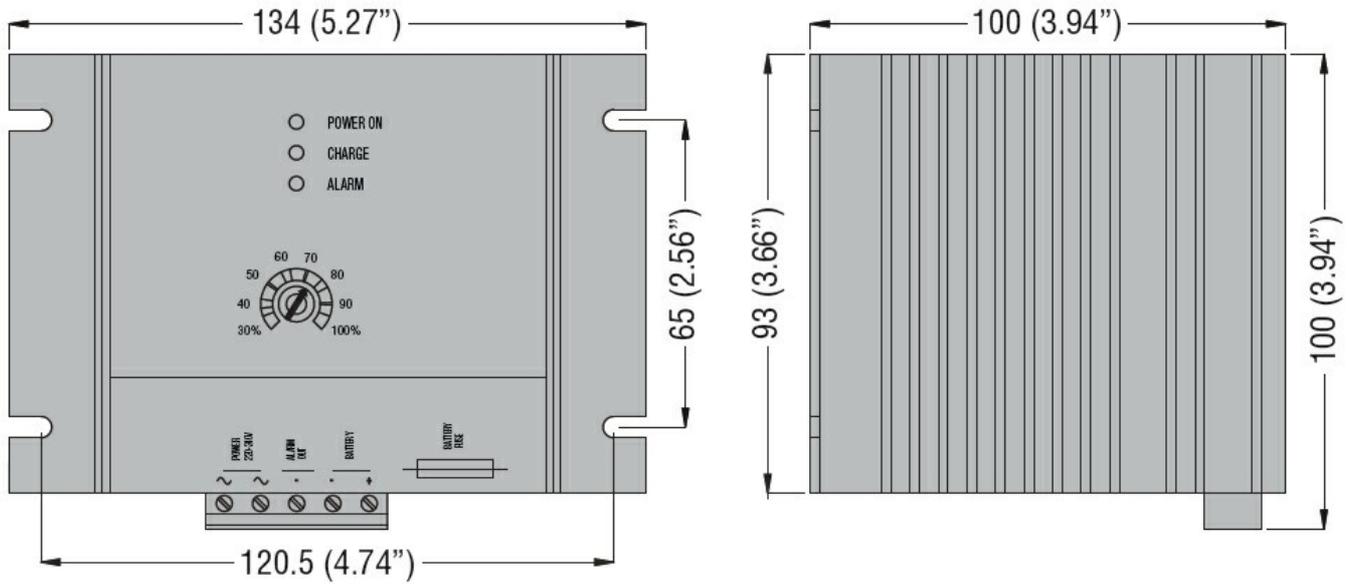
Output type	NPN transistor
-------------	----------------

Mechanical features

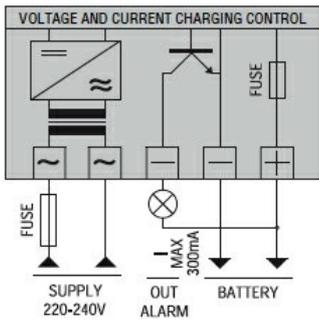
Housing type	Internal panel mounting
Terminals type	Removable/plug-in

Fixing				Screw fixing
Weight	g			1984
Ambient conditions				
Temperature				
Operating temperature				
	min	°C	-10	
	max	°C	+50	
Storage temperature				
	min	°C	-30	
	max	°C	+80	
Protection degree				IP00

Dimensions



Wiring diagrams



Certifications and compliance

Compliance	IEC/EN 60335-2-29
Certificates	EAC

ETIM classification

ETIM 8.0	EC000359 - Universal charger
----------	------------------------------