



Product designation	Enclosures
Product type designation	LPZM

**General characteristics**

Colour	Grey
IEC degree of protection	IP66 and IP67

**Mechanical features**

Weight	g	1100
--------	---	------

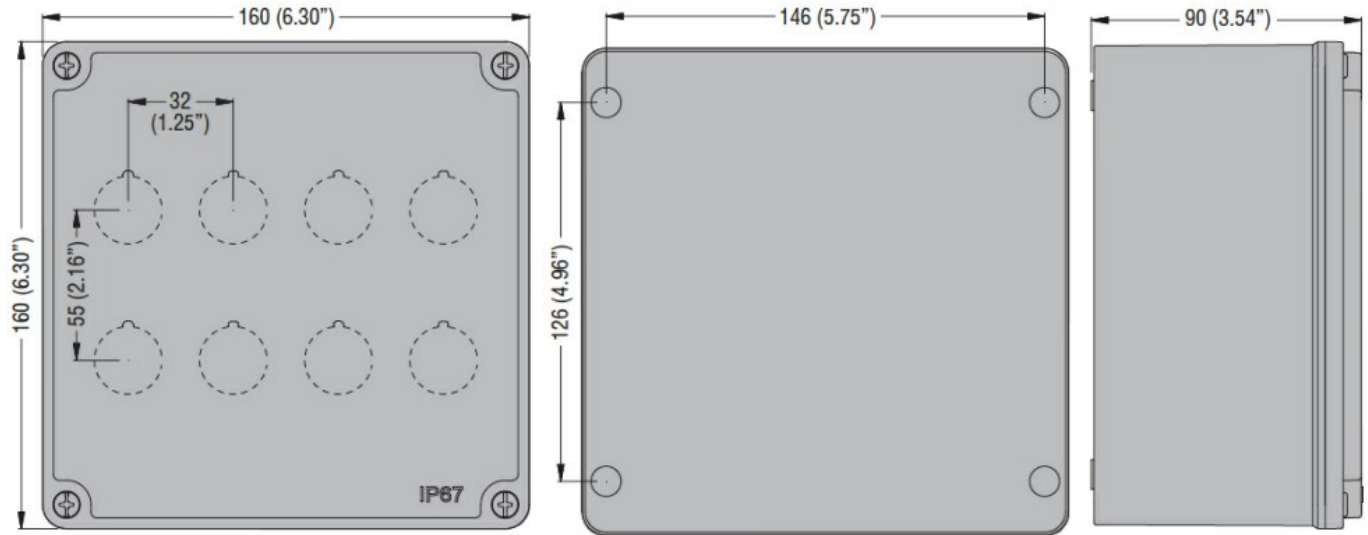
**UL technical data**

UL degree of protection	NEMA 4X
-------------------------	---------

**Ambient conditions**

Temperature			
Operating temperature			
	min	°C	-25
	max	°C	+70
Storage temperature			
	min	°C	-40
	max	°C	+85

**Dimensions**



**Certifications and compliance**

Compliance	IEC/EN 60947-5-1
------------	------------------

Certificates	cULus
	EAC

**ETIM classification**

ETIM 8.0	EC000200 - Enclosure for control circuit devices
----------	--