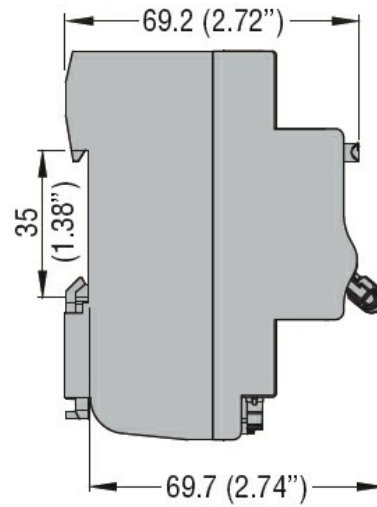
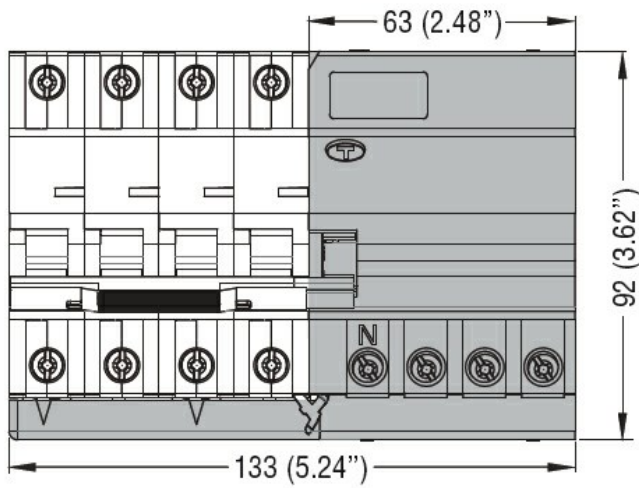




Product designation				Residual block add-on
Product type designation				P1 RA
Number of poles				4P
Number of DIN modules				3.5
Compliance				IEC
<b>Electrical features</b>				
Rated insulation voltage $U_i$ IEC/EN		V		400
Rated impulse withstand voltage $U_{imp}$		kV		4
Rated operational voltage AC (IEC)		VAC		230/400
Rated frequency		Hz		50/60
Rated current ( $I_n$ )		A		40
Residual operation characteristic				A
Rated residual current		mA		300
Electrical life		cycles		10000
<b>Ambient conditions</b>				
Operating temperature	min	°C		-25
	max	°C		+60
Storage temperature	min	°C		-40
	max	°C		+80
Max altitude		m		2000
<b>Mechanical features</b>				
Operating position		normal		Vertical plan
Fixing				35mm DIN rail
Tightening torque for terminals	min	Nm		1.8
	max	Nm		2
	min	lbin		16
	max	lbin		17.7
Terminals tool				Pz 2
Conductor section	IEC	min	mm <sup>2</sup>	1
		max	mm <sup>2</sup>	16
	AWG/Kcmil	min		14
		max		6
Mechanical life		cycles		20000
Weight		g		230
Frontal IP degree				IP20
Pollution degree				2
<b>Dimensions</b>				



**Certifications and compliance**

Compliance

IEC/EN 61009-1

Certifications

EAC

TÜV-SUD

**ETIM classification**

ETIM 8.0

EC002297 -  
 Residual current  
 circuit breaker  
 (RCCB) module