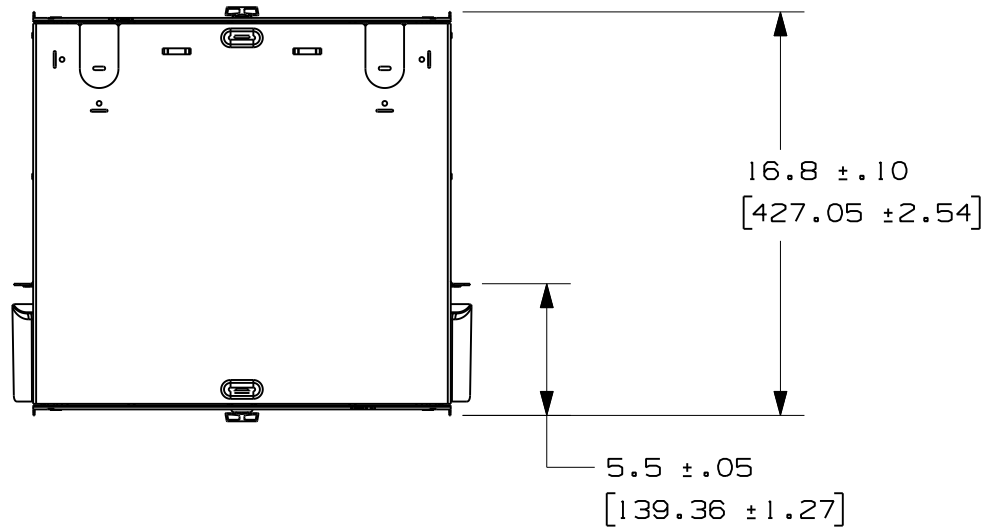
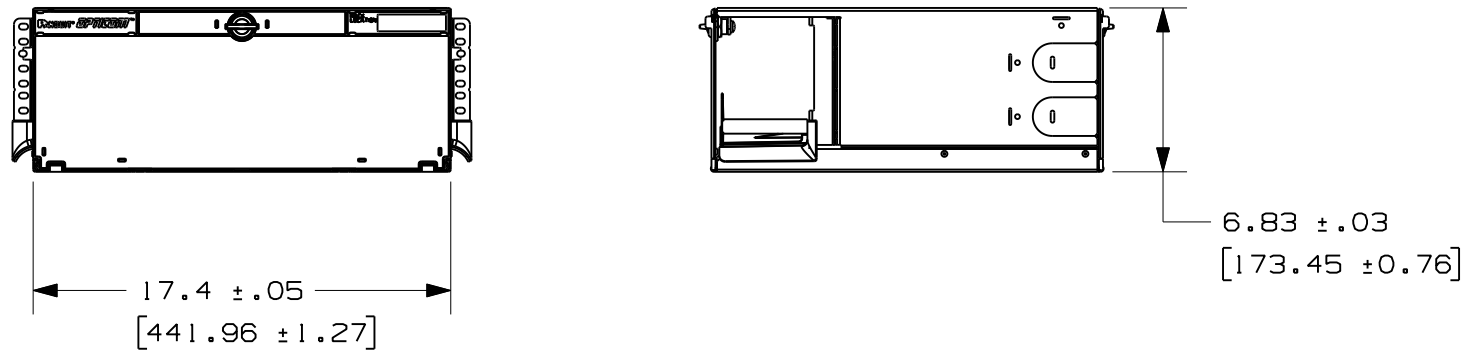
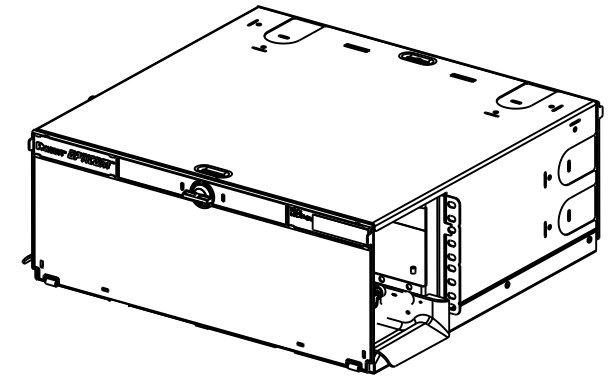


THIS COPY IS PROVIDED ON A RESTRICTED BASIS AND IS NOT TO BE USED IN ANY WAY DETRIMENTAL TO THE INTERESTS OF PANDUIT CORP.



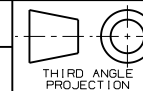
PANDUIT PART NO.	WEIGHT
FCE4U	17.5 LBS/EACH 7.9 Kg/EACH



FIBER CASSETTE ENCLOSURE 4RU  
CUSTOMER DRAWING



**PANDUIT**™  
CORP.  
TINLEY PARK, ILL 60477



ALL DIMENSIONS ARE GIVEN IN INCHES  
UNLESS OTHERWISE SPECIFIED.  
DIMENSIONAL TOLERANCES ARE:  
(.X) ± .03 | (.XXX) ± .010 | (.3) ± .010 | ANGLES

DRAWING FILENAME  
V10515AA\_DC/09A

SCALE  
NONE

01 02-05-10 SHY UPDATED V10515AA\_DC/09A

00 11-6-07 MAV RELEASED TO PRODUCTION

REV DATE BY CHK DESCRIPTION

ECN - R CUST SUP OTH

DRAWN BY  
MAV

DATE  
11-6-07

CHK'D

REVIEW DRAWING NUMBERS

SEE  
NOTES

PART NO.  
FCE4U

DRAWING NO.  
10515-17

SIZE  
A