



Product designation
Product type designation

Push button
KSA9

General characteristics

Material

Housing

Polymer
thermoplastic

Contact characteristics

Type of contact

1NO/NC

Thermal current I_{th}

A 15

IEC/EN 60947-5-1 designation

A600 P300

Rated insulation voltage U_i

V 250

Switching speed

| | | |
|-----|-----|------|
| min | m/s | 0.01 |
| max | m/s | 1 |

Operating speed

| | | |
|-----|-----|------|
| min | m/s | 0.05 |
| max | m/s | 1 |

IEC Conventional free air thermal current I_{th}

A 15

Resistance per pole (average value)

mΩ <15

Conductivity

10mA 5V

Mechanical features

Terminals type

Screw

Operating head fixing

Fixed

Operating torque

| | |
|------|-----|
| N | 1.5 |
| ozin | 5.4 |

Weight

g 34

Operations

Mechanical life

cycles 20000000

Electrical life

cycles 500000

Mechanical operation

cycles/h 240

Ambient conditions

Temperature

Operating temperature

| | | |
|-----|----|-----|
| min | °C | -25 |
| max | °C | +70 |

Storage temperature

| | | |
|-----|----|-----|
| min | °C | -40 |
| max | °C | +70 |

Resistance & Protection

IP degree

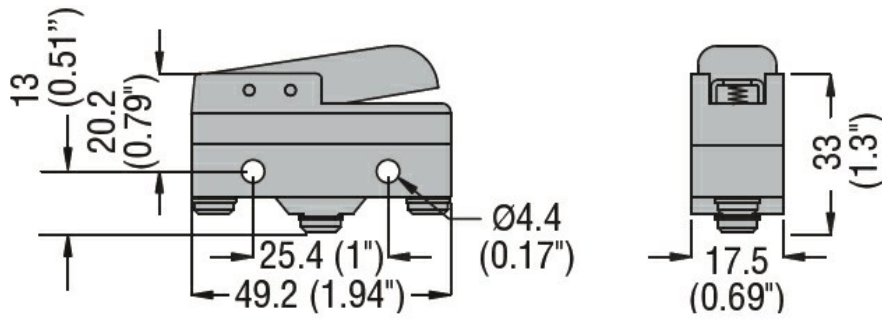
Body housing

IP00 or IP20 with
terminal shroud

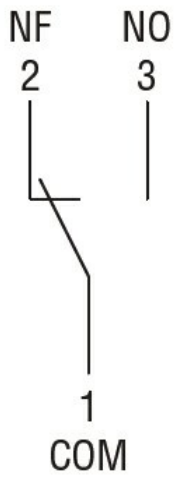
Pollution degree

3

Dimensions



Wiring diagrams



Certifications and compliance

Compliance

CSA C22.2 n° 14.
 IEC/EN 60947-1
 IEC/EN 60947-5-1
 IEC/EN 61058-1
 UL508

Certificates

cURus
 EAC

ETIM classification

ETIM 8.0

EC000030 - End
 switch