
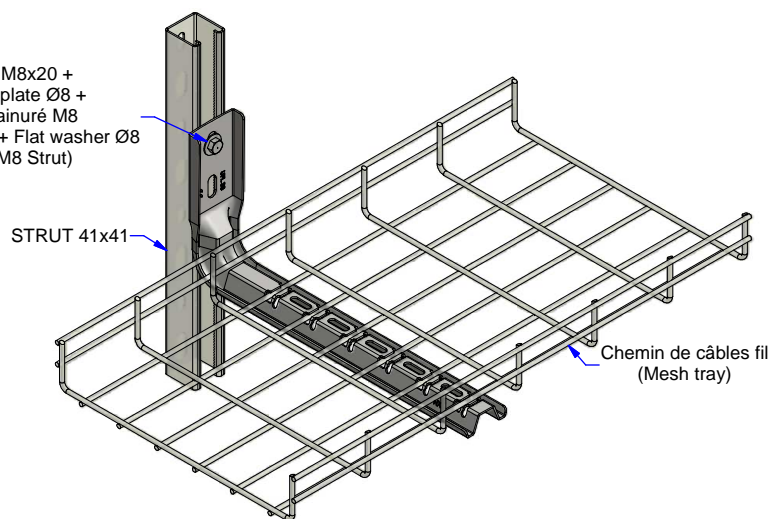




Description	Code	Masse/Weight Kg/p	Ep./Th. mm	H mm	l./w. mm	 daN
UFL-25 ZM	748004	0,56	2,00	170	315	75
UFL-30 ZM	748005	0,60	2,00	170	365	64

Vis TH M8x20 +
Rondelle plate Ø8 +
Ecrou rainuré M8
(Screw M8x20 + Flat washer Ø8
+ Nut M8 Strut)



www.niedaxfrance.fr

ZM : High performance coated zinc according to NF A 91102
ZM : Revêtement haute tenue corrosion suivant NF A 91102

CONSOLE UFL ZM BRACKET UFL ZM		
ASSISTANCE TECHNIQUE +33 (0)1 55 95 92 17 pole.technique@niedax.fr		
FT02014		