



Product designation	MINIATURE RELAYS		
Product type designation	HR402C		
<b>Contact characteristics</b>			
Contact configuration	2 C/O		
Rated insulation voltage $U_i$ IEC/EN	V	250	
Rated impulse withstand voltage $U_{imp}$	kV	4	
IEC Conventional free air thermal current $I_{th}$	A	5	
Rated current ( $I_n$ )	A	5	
Relay control voltage	V	230VAC	
Max contrrollable power in	AC-1	W	1250
Rated operating power AC-1		VA	1250
Single-phase motor control	230VAC	kW	0.12
Minimum switching load		V / mA	5 / 100
Contact impedance		m $\Omega$	50
Contact material	AgSnO <sub>2</sub>		
<b>Operating times</b>			
Closing		ms	<20
Opening		ms	<10
<b>Operations</b>			
Mechanical life		cycles	10000000
Electrical life AC1		cycles	100000
<b>Coil characteristics</b>			
Average coil consumption AC at 20°C		VA	1
Operating range	Closing	% $U_n$	80...110
	Opening	% $U_n$	>10
Maximum cycle frequency		cycles/h	1800
<b>Mechanical features</b>			
Max socket terminal tightening torque		Nm	0.6
Socket screw tightening tool (cross / flat blade)	PH1 / 4.5mm		
Conductor section	AWG/Kcmil		
		min	20
		max	14
	IEC		
		min	mm <sup>2</sup> 0.5
		max	mm <sup>2</sup> 2.5
Operating position	normal	Any	

Fixing	On 35mm DIN rail and with screw
--------	---------------------------------

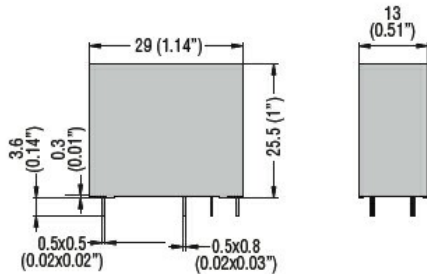
**Ambient conditions**

Temperature	Operating temperature	min	°C	-40
		max	°C	+85
	Storage temperature	min	°C	-40
		max	°C	+85

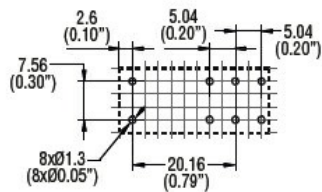
**Other features**

Indication	No
Mechanical contact position indicator	No
Mechanical test actuator	No

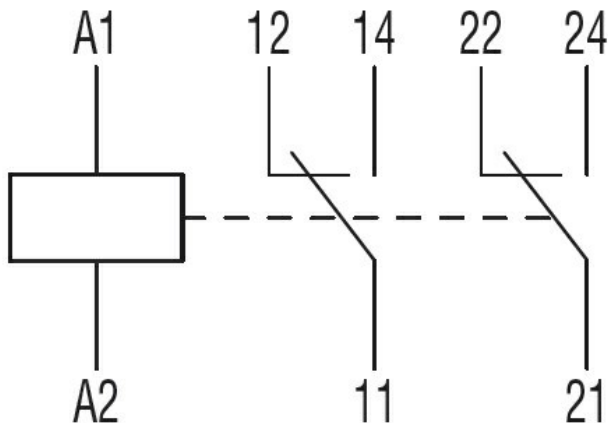
**Dimensions**



PCB layout



**Wiring diagrams**



**Certifications and compliance**

Compliance	IEC/EN 61810
Certificates	cURus

**ETIM classification**

ETIM 8.0

EC001437 –  
Switching relay