

THIS COPY IS PROVIDED ON A RESTRICTED BASIS AND IS NOT TO BE USED IN ANY WAY DETRIMENTAL TO THE INTERESTS OF PANDUIT CORP.

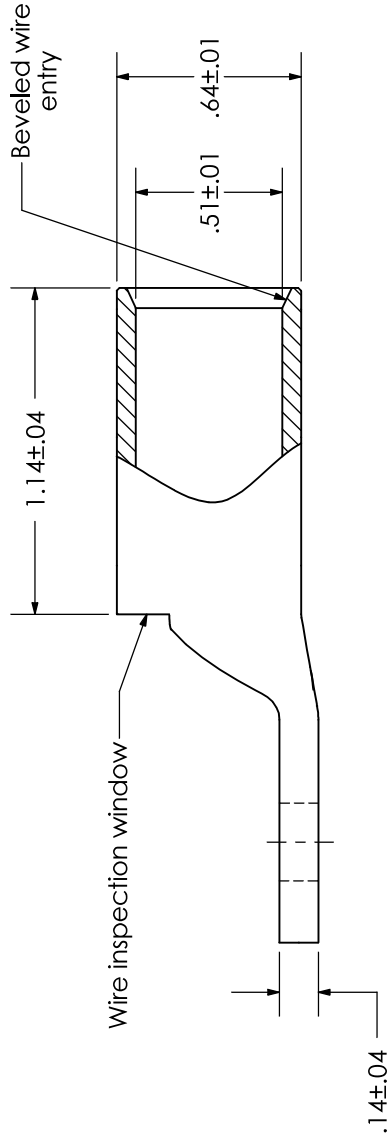
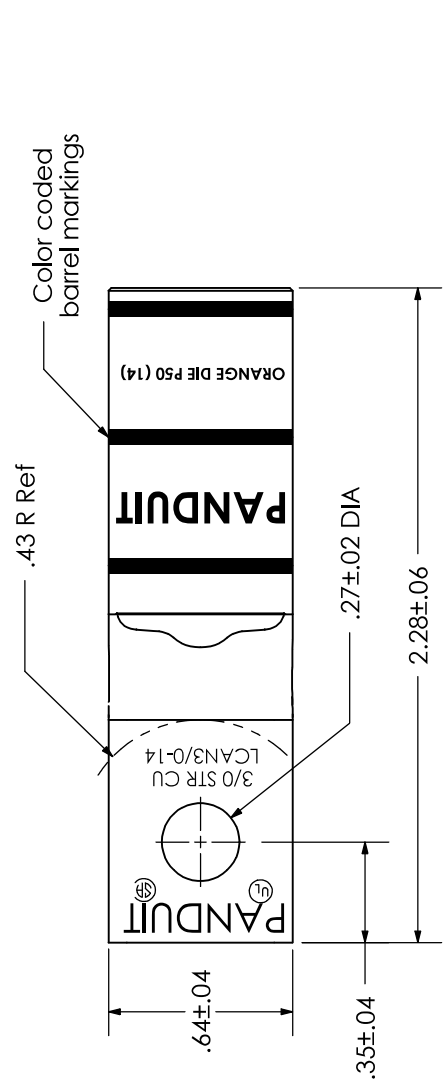
Material	High Conductivity Seamless Copper Tube
Plating	Electro-Tin
Wire Size	3/0 AWG
Wire Type	Stranded Copper; Class B: Compact, Compressed or Concentric, Class C: Concentric
Wire Strip Length	1-3/16 in.
Stud Size	1/4 in.
UL Listed Wire Connector	Yes, for applications up to 35kv. Consult cable manufacturer for voltage stress relief instructions with applications greater than 2000 volts.
UL Temperature Rating	90 ° C
C.S.A Certified Wire Connector	Yes
Panduit Color Code on Barrel	ORANGE
Panduit Die Index No. on Barrel	P50
Alternate Industry Die Index No. ( ) on Barrel	(14)



CERTIFIED



LISTED  
Wire Connector



<b>PANDUIT CORP. TINLEY PARK, ILLINOIS</b>	
LCAN3/0-14-X Copper Lug - One-Hole, Narrow Tongue, Standard Barrel	
REV	DATE
01	11/08
BY	DRL
CHK	DRL
DESCRIPTION	
TONGUE THICKNESS WAS .13±.01	
SCALE	N/A
DRAWING NO / CAD FILE	LCAN3_0-14-CUST