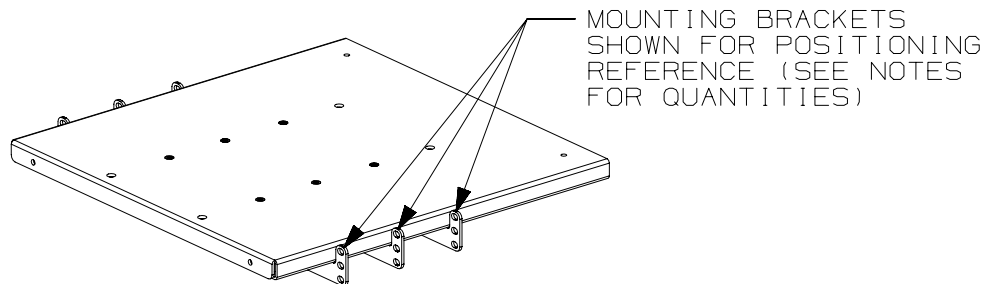
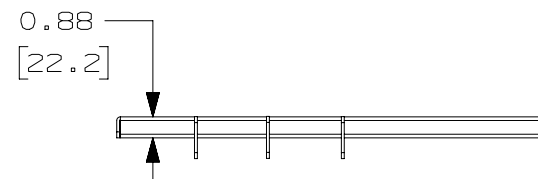
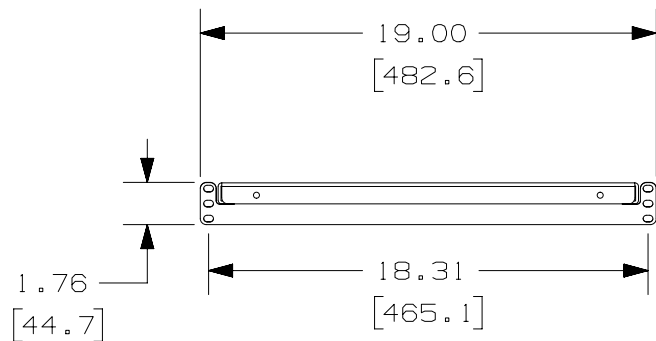
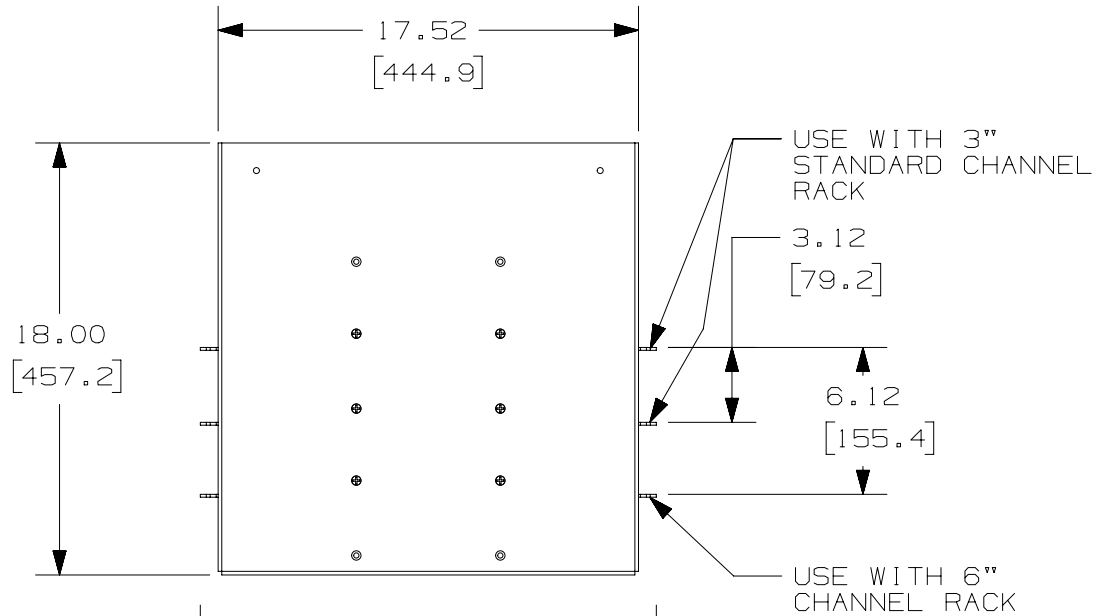


THIS COPY IS PROVIDED ON A RESTRICTED BASIS AND IS NOT TO BE USED IN ANY WAY DETRIMENTAL TO THE INTERESTS OF PANDUIT CORP.



PANDUIT PART NO.	WEIGHT
SRM19X18A1	16.3 LBS/EACH 7.4 Kg/EACH

NOTES:

- VISIT OUR ON-LINE CATALOG AT WWW.PANDUIT.COM FOR A LIST OF CURRENT PARTS APPLICABLE FOR USE WITH THIS PRODUCT.
- COMPONENTS:
 1- SHELF
 2- MOUNTING BRACKETS
 4- #10-32 X 3/8" UNDERCUT SCREWS
 8- #12-24 X 1/2" SCREWS
- SHELF CAN BE ADJUSTED TO 2 POSITIONS FOR 3" CHANNEL RACK AND 3 POSITIONS FOR 6" CHANNEL RACK.
- DIMENSIONS IN PARENTHESIS ARE METRIC
- LOAD CAPACITY OF 250 LBS.

TITLE		19" X 18" ADJUSTABLE RACK MOUNT SHELF (SRM19X18A1)	
ITEM REVISION NAME		CUSTOMER DRAWING	
DATASET FILE NAME		V10254AA/04	
UNLESS OTHERWISE SPECIFIED, DIMENSIONAL TOLERANCES ARE:		MATERIAL:	
ANGLE		STEEL	
+/- 1°		DRAWING NUMBER:	
THIRD ANGLE PROJECTION		10254-03	
DRAWN BY	DATE	CHK	SCALE
TKW	10-19-04	JEFK	NONE
REV	DATE	BY	CHK
04A	9-19-16	TWV	JEFK
R	10-19-04	TKW	JEFK
APR	DESCRIPTION	ECN	SIZE
	REMOVED M6 SCREWS; ADDED 6" CHANNEL RACK POSITIONING	10254-03-DC	A
	RELEASED TO PRODUCTION	10254-03-DC	
			SHT 1 OF 1