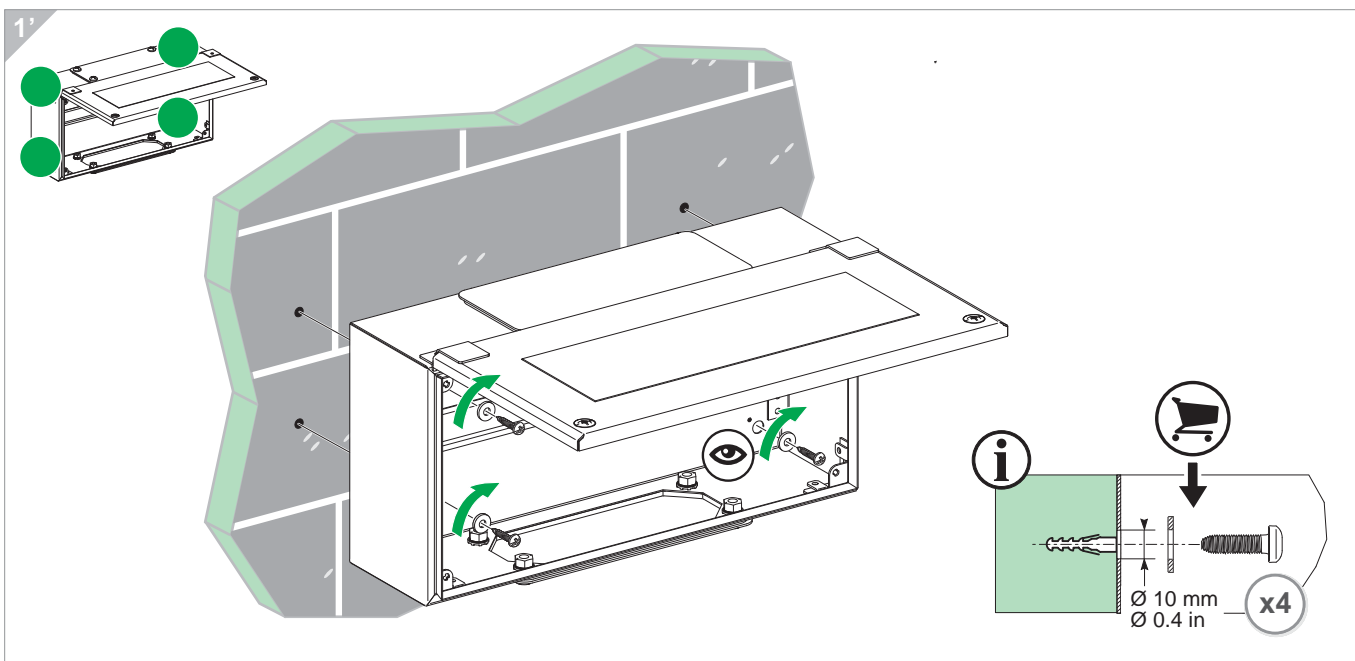
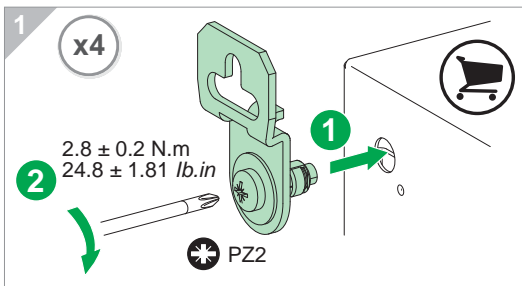
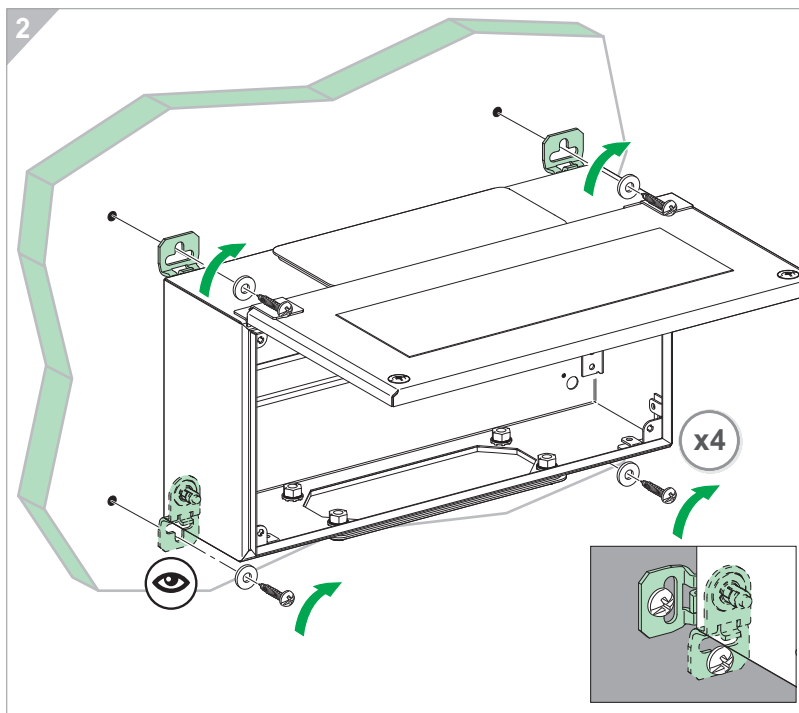
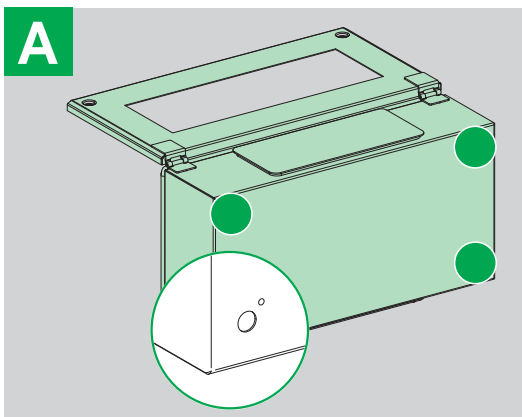
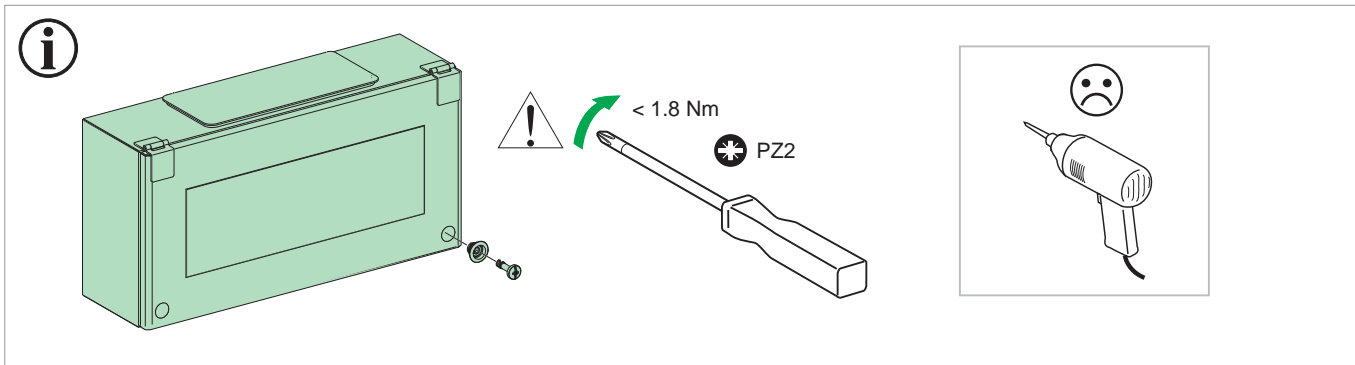
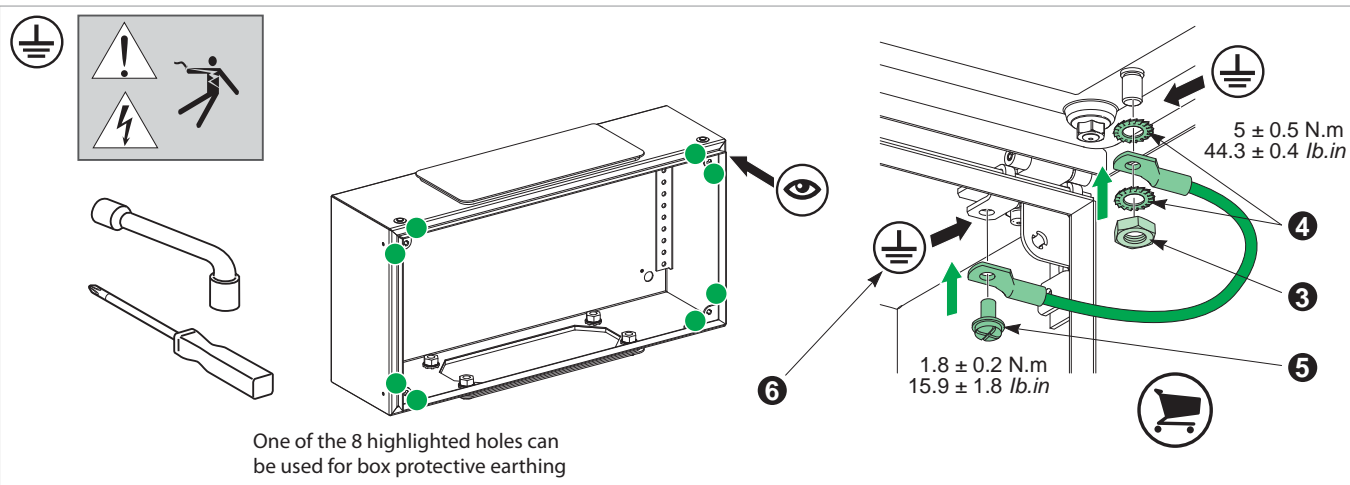
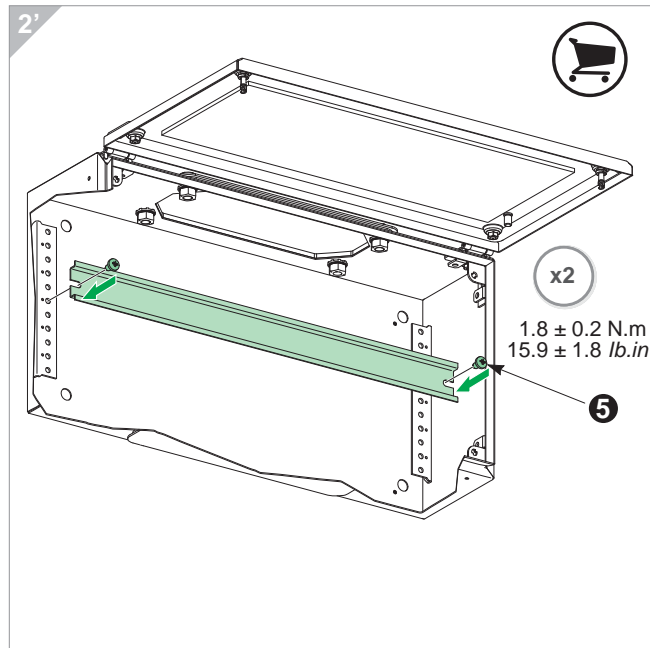
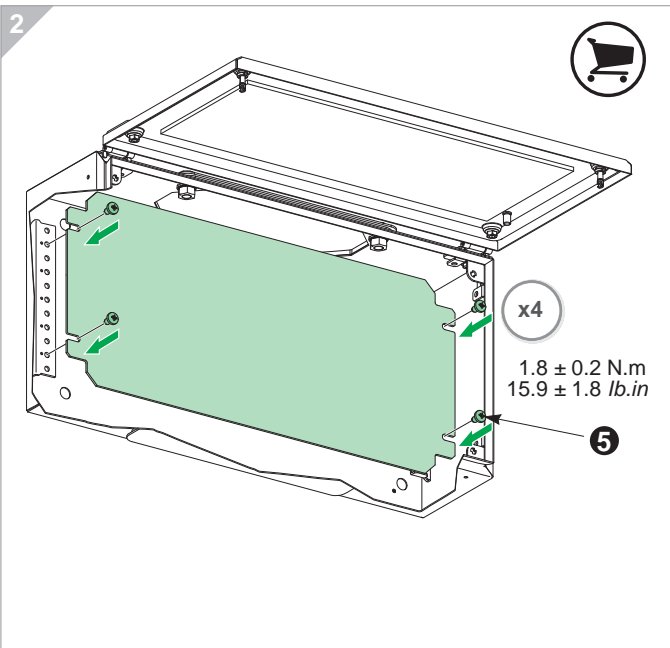
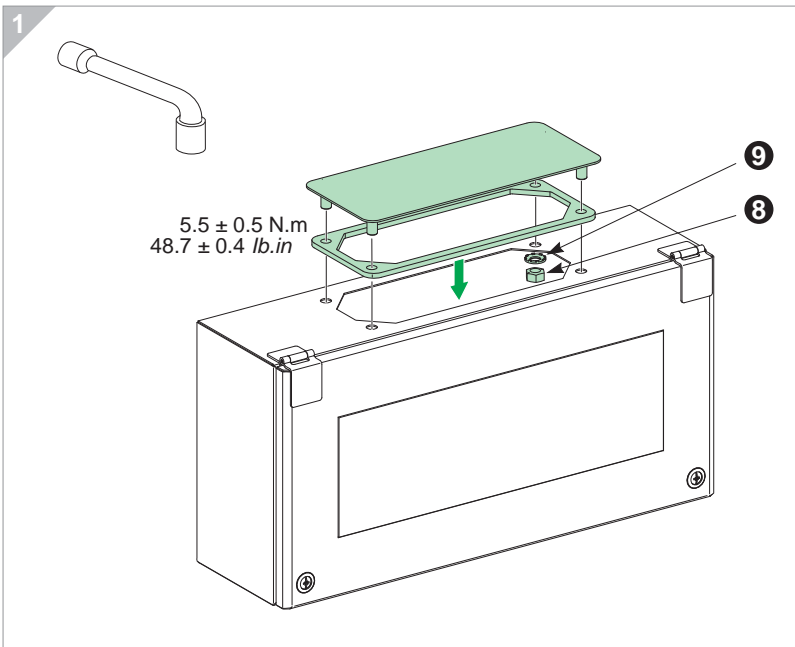
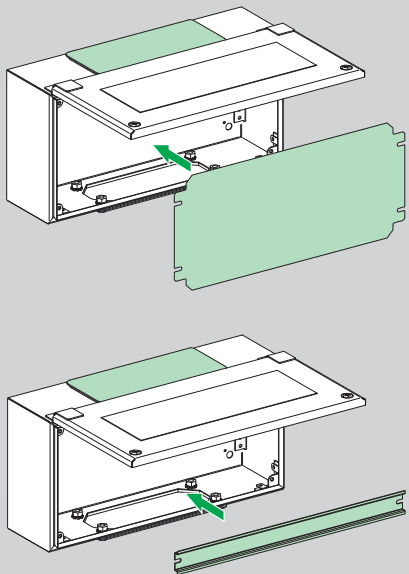


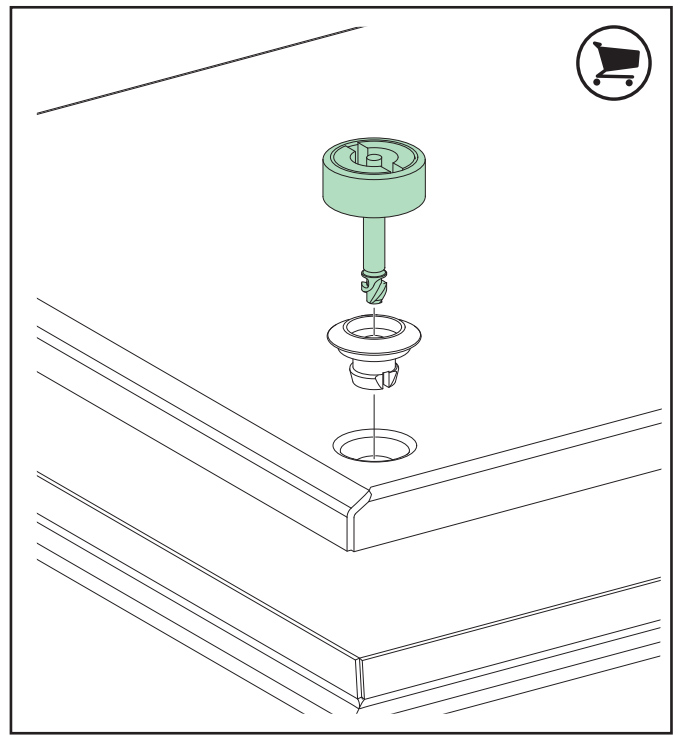
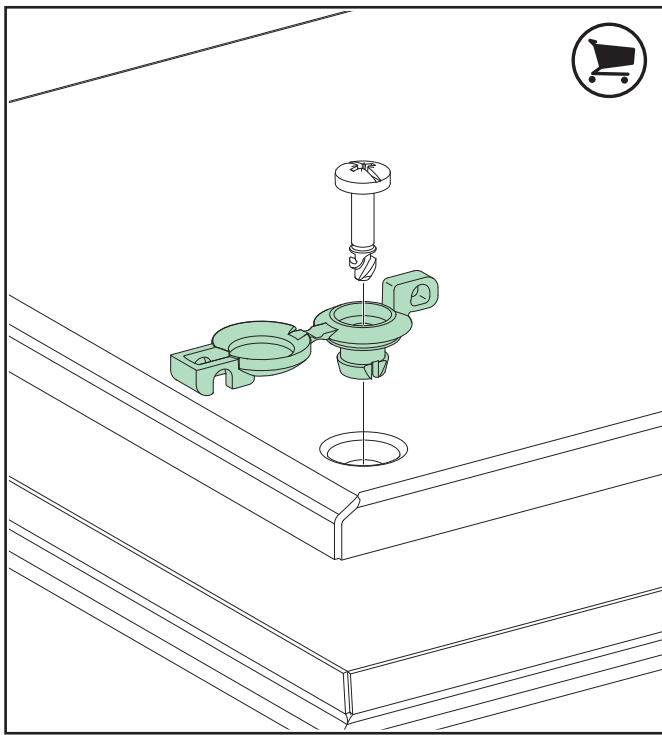
**NSYSBM**  
**NSYSBMC**  
**NSYSBMB**

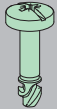
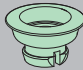
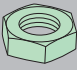



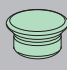
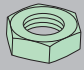



To maintain the environmental type rating, all conduit fittings and other components installed in openings made in the enclosures must have its same ratings and only wall fixing bracket kit mode NSYAEFFFSB may be used. When installed as a Type 2 or 3R enclosure, drill drain hole (3.2-6.4 mm (1A/8-1/4 in) diameter) in the lowest part of the bottom wall.

**B**





	1	2	3	4	5	6	7	8	9
									
NSYSBM . . .			H M6	D D6	Ø 5 x 10		Ø 10	H M8	D D8
15158;15208;15308;15408; 20208;20308;20408;151512; 152012;153012;154012; 202012;203012;204012; 303012;304012;404012;	4	4	1	2	5	2	4	--	--
20508;20608;205012; 206012;208012;305012; 306012;308012;405012; 406012;408012;	6	6	1	2	5	2	4	--	--
C153012;C154012; C203012;C204012; B203012;B204012;	4	4	1	2	5	2	4	8	8
C303012;C304012; C404012;C206012; C208012;B206012; B208012;	4	4	1	2	5	2	4	16	16
C306012;C308012; C406012;C408012;	6	6	1	2	5	2	4	24	24

For further technical & service information, refer to the catalog Universal Enclosures that can be downloaded from:  
[www.schneider-electric.com](http://www.schneider-electric.com)

**Schneider Electric Industries SAS**

35, rue Joseph Monier  
 CS 30323  
 F - 92506 Rueil Malmaison Cedex

RCS Nanterre 954 503 439  
 Capital social 896 313 776 €  
[www.schneider-electric.com](http://www.schneider-electric.com)  
 S1B9729001 - 00

© 2012 Schneider Electric - Tous droits réservés - All rights reserved.

En raison de l'évolution des normes et du matériel, les caractéristiques indiquées par le texte et les images de ce document ne nous engageant qu'après confirmation par nos services.

As standards, specifications and designs change from time to time, please ask for confirmation of the information given in this publication.

Publication : Schneider Electric  
 Réalisation : Ameg  
 Impression :



Ce document a été imprimé sur du papier écologique.  
 This document has been printed on ecological paper.