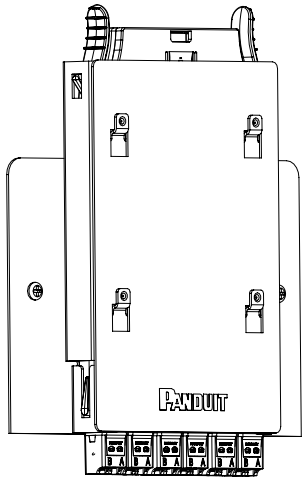


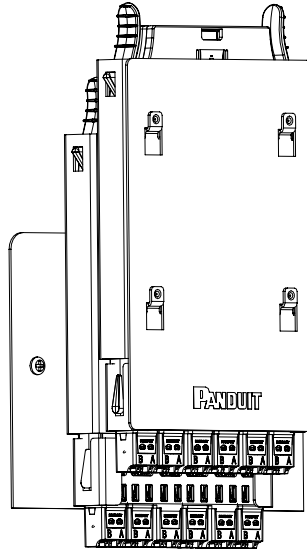
| PART NUMBER | DESCRIPTION |
|-------------|---|
| ZFLEX1 | HD Flex Cassette mounting bracket for one 6-port cassette in Network Zone System |
| ZFLEX2 | HD Flex Cassette mounting bracket for two 6-port cassettes in Network Zone System |

NOTES:

- ZFLEX1 - HD Flex Cassette Mounting Bracket for 6-Port Cassette in Network Zone Systems includes:
 - (1) Enclosure Stack Base
 - (2) #6-32 x 5/16" Screws
 - (1) Enclosure Stack Bracket
 - (1) Stack Bracket Cover
- ZFLEX2 - HD Flex Cassette Mounting Bracket for 12-Port Cassette in Network Zone Systems includes:
 - (1) Enclosure Stack Base
 - (2) #6-32 x 5/16" Screws
 - (2) Enclosure Stack Bracket
 - (1) Stack Bracket Cover
- ZFLEX1 and ZFLEX2 Cassette Mounting Brackets are compatible with the following Panduit Fiber Optic Cassettes:
 - FHCZO-12-*
 - FHCZA-12-*
 - FHSZO-12-*
 - FHSZA-12-*
 - FHSXO-12-*
 - FHSXN-12-*
 - FHC9N-12-*
 - FHC39N-08-*
 - FHCXO-12-*
 - FHS9N-12-*




ZFLEX1



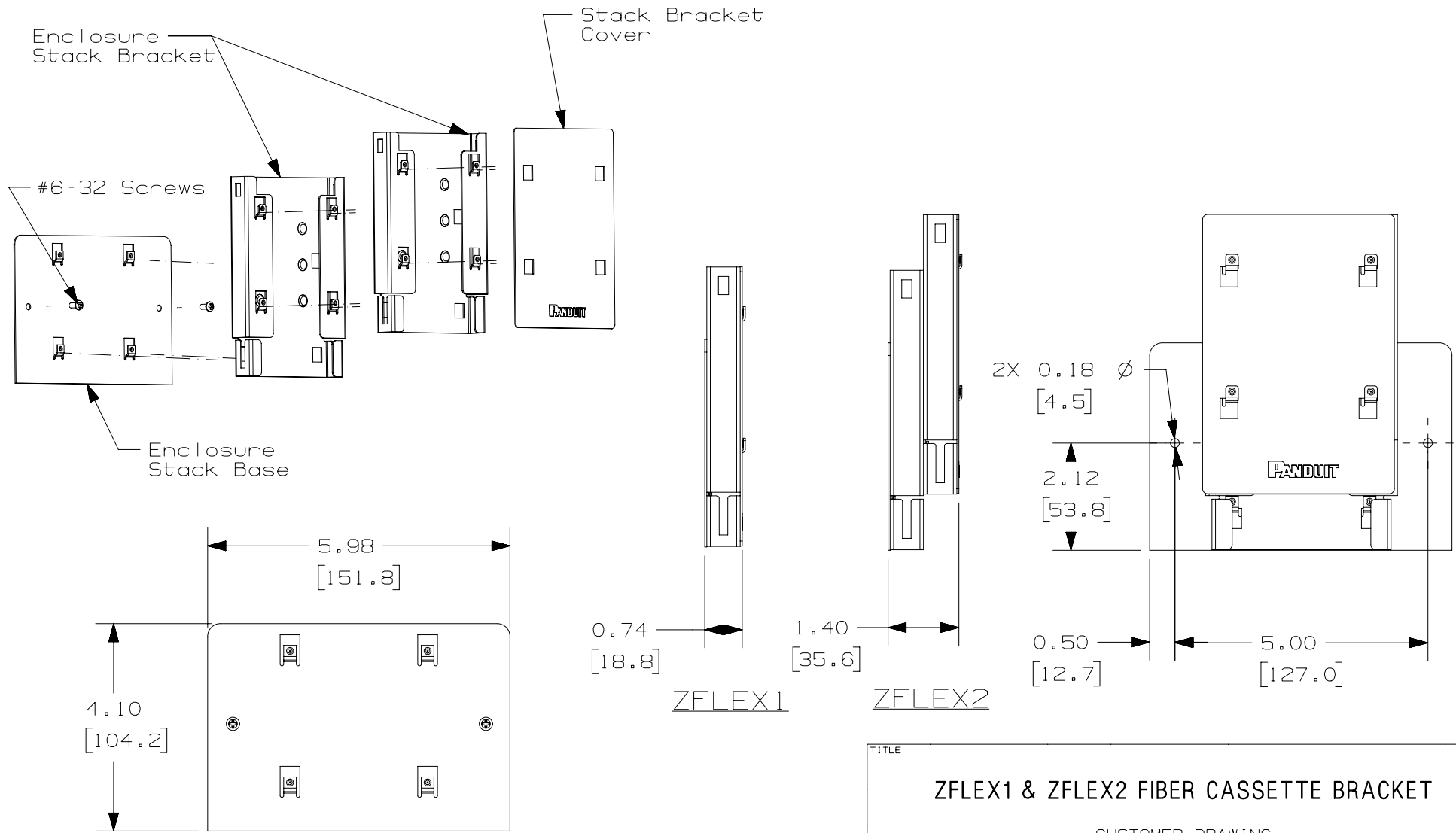
ZFLEX2

Cassettes shown, but not included

| | | | | |
|---|---------|--|-------|------|
| TITLE | | ZFLEX1 & ZFLEX2 FIBER CASSETTE BRACKET | | |
| ITEM REVISION NAME | | CUSTOMER DRAWING | | |
| DATASET FILE NAME | | 15V510EB/00 | | |
| UNLESS OTHERWISE SPECIFIED, DIMENSIONAL TOLERANCES ARE: IN (mm) | |  MATERIAL: N/A | | |
| .x ± .1 (2.54) .xxx ± .005 (.127) | | | | |
| .xx ± .01 (.25) ANGLES ± 5 ° | | DRAWING NUMBER: 15V510EB | | |
| THIRD ANGLE PROJECTION | | SHT 1 OF 3 | | |
| DRAWN BY | DATE | CHK | SCALE | SIZE |
| JBO | 9/21/17 | NWW | 1:10 | A |

| REV | DATE | BY | CHK | APR | DESCRIPTION | ECN |
|-----|---------|-----|-----|------|----------------------|----------|
| 00A | 9/21/17 | JBO | NWW | TIMH | RELEASED TO CUSTOMER | 15V510EB |

THIS COPY IS PROVIDED ON A RESTRICTED BASIS AND IS NOT TO BE USED IN ANY WAY DETRIMENTAL TO THE INTERESTS OF PANDUIT CORP.



| | | | |
|--|---------------------|--|-------|
| TITLE | | ZFLEX1 & ZFLEX2 FIBER CASSETTE BRACKET | |
| CUSTOMER DRAWING | | | |
| ITEM REVISION NAME | 15V510EB/00 | PANDUIT | |
| DATASET FILE NAME | 15V510EB_DC/00A | | |
| UNLESS OTHERWISE SPECIFIED, DIMENSIONAL TOLERANCES ARE: IN (mm) | | MATERIAL: | |
| .x ± .1 [2.54] | .xxx ± .005 [0.127] | N/A | |
| .xx ± .01 [0.25] | ANGLES ± 5° | DRAWING NUMBER: | |
| THIRD ANGLE PROJECTION | | 15V510EB | |
| DRAWN BY | DATE | CHK | SCALE |
| JBO | 9/21/17 | NWW | 1:10 |
| SHT 2 OF 3 | | SIZE | |
| A | | A | |

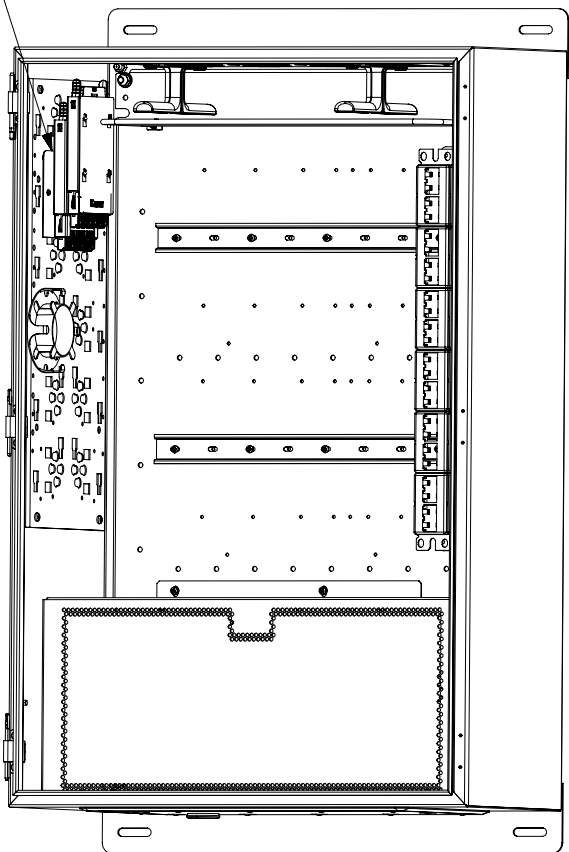
| 00A | 9/21/17 | JBO | NWW | TIMH | RELEASED TO CUSTOMER | 15V510EB |
|-----|---------|-----|-----|------|----------------------|----------|
| REV | DATE | BY | CHK | APR | DESCRIPTION | ECN |

D10100DA/14

THIS COPY IS PROVIDED ON A RESTRICTED BASIS AND IS NOT TO BE USED IN ANY WAY DETRIMENTAL TO THE INTERESTS OF PANDUIT CORP.

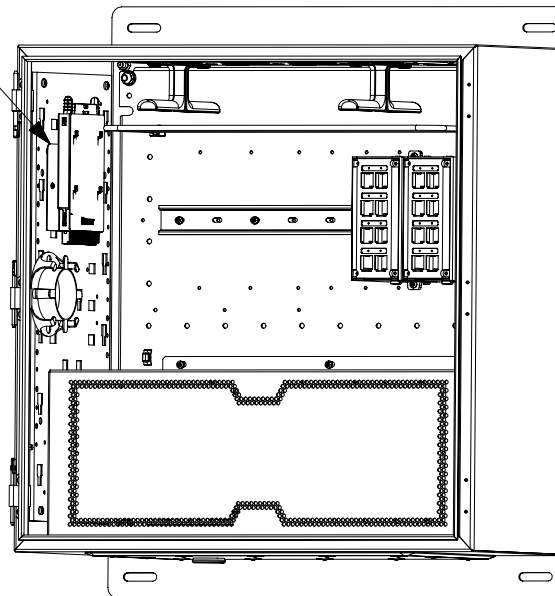
Mounting Location Within Zone Enclosure

ZFLEX2
mounted
here



ZFLEX2 IN Z23

ZFLEX1
mounted
here



ZFLEX1 IN Z22

| | | | | | | | |
|--------------------|---------|-----------------|-------|--|--|-----------------|--|
| TITLE | | | | ZFLEX1 & ZFLEX2 FIBER CASSETTE BRACKET | | | |
| CUSTOMER DRAWING | | | | PANDUIT | | | |
| ITEM REVISION NAME | | 15V510EB/00 | | | | | |
| DATASET FILE NAME | | 15V510EB_DC/00A | | UNLESS OTHERWISE SPECIFIED, DIMENSIONAL TOLERANCES ARE: IN [mm] | | DRAWING NUMBER: | |
| | | | | .x ± .1 [2.54] .xxx ± .005 [.127] | | 15V510EB | |
| | | | | .xx ± .01 [.25] ANGLES ± 5 ° | | | |
| | | | | THIRD ANGLE PROJECTION | | | |
| DRAWN BY | DATE | CHK | SCALE | SHT 3 OF 3 | | SIZE | |
| JBO | 9/21/17 | NWW | 1:10 | | | A | |

| REV | DATE | BY | CHK | APR | DESCRIPTION | ECN |
|-----|---------|-----|-----|------|----------------------|----------|
| 00A | 9/21/17 | JBO | NWW | TIMH | RELEASED TO CUSTOMER | 15V510EB |

2

1

2

1

D10100DA/14