

Part number

AP 2320



Box for control devices and signals, AC series, without cable entry, without holes, external dimensions 230x205x102 mm

Product description

Product type	Box for control devices and signals
Series	AC
Size	External dimensions 230x205x102 mm
Specification	Without cable entry Without holes

Technical data

IP degree of protection	IP65
Further technical details	
Weight	1.780,00 g
Operating temperature range (min, max)	-20°C ... +80°C

Material properties

Main material	Aluminium die-cast
Other materials	Gasket: NBR Screws: galvanized steel
Colour	RAL 7040 grey
RoHs conformity	Compliant with exemption 6(c): copper alloy containing up to 4% lead by weight
China RoHs - EFUP	50
REACH SVHC substances	Yes Lead
SCIP number	A4d990c2-7936-4d11-a722-eb8d5d39ca82

General ordering information

EAN13 code	8015747001496
-------------------	---------------

Packaging Information

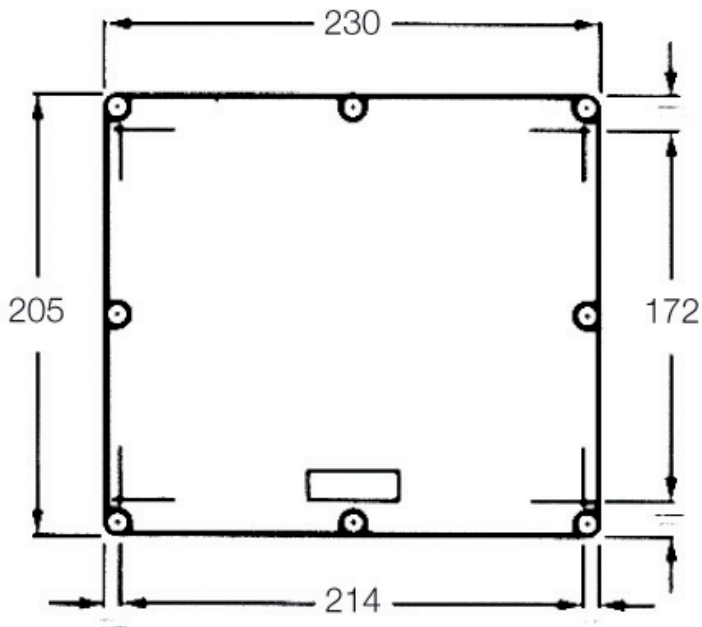
Packaging length	240,00 mm
Packaging height	220,00 mm
Packaging width	210,00 mm
Packaging weight	4,10 kg
Packaging volume	11,09 dm ³
Packaging description	Carton box
Packaging quantity	2 Pcs
Packaging EAN code	8015747001502

Part number

AP 2320



Catalogue drawings



Notes

California Proposition 65 Information



WARNING

This product can expose you to lead and its compounds, known to the State of California to cause cancer and/or reproductive toxicity. For more information go to www.P65Warnings.ca.gov.

Dimensions shown in mm are not binding and may be changed without notice.