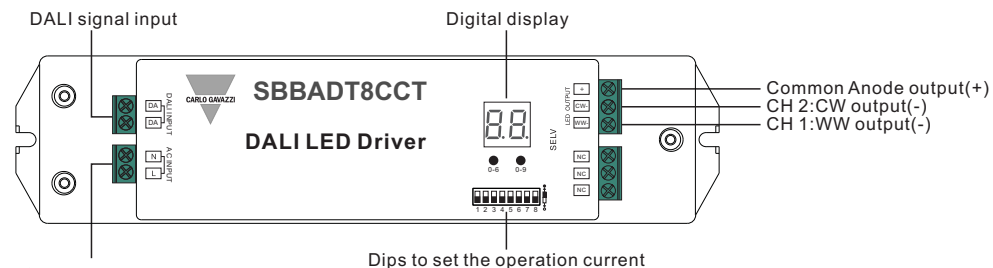


# 50W DALI CCT Dimmable Driver(DT8)



**Important:** Read All Instructions Prior to Installation

## Function introduction



AC 200-240V input  
**Product Data**

	LED Channel	2							
	Output	Selectable Current	250mA	300mA	350mA	400mA	450mA	500mA	600mA
DC Voltage Range		8-48V	8-48V	8-48V	8-48V	8-48V	8-48V	8-48V	8-48V
Selectable Current		800mA	900mA	1000mA	1100mA	1200mA	1300mA	1400mA	1500mA
DC Voltage Range		8-48V	8-48V	8-48V	8-46V	8-41V	8-38V	8-35V	8-33V
Current Tolerance		±5%							
Rated Power		Max. 50W							
Input	Voltage Range	200-240V AC							
	Frequency Range	50/60Hz							
	Power Factor (Typ.)	> 0.9							
	Total Harmonic Distortion	THD 15% (@ full load / 230VAC)							
	Efficiency (Typ.)	87% @ 230VAC full load							
	AC Current (Typ.)	0.27A @ 230VAC							
	Inrush Current (Typ.)	COLD START Max. 2A at 230VAC							
Leakage Current	< 0.5mA /230VAC								
Control	Dimming Interface	DALI Device Type 8							
	Dimming Range	0%-100%							
	Dimming Method	Pulse Width Modulation							
	Dimming Curve	Logarithmic							

Protection	Short Circuit	Yes, recovers automatically after fault condition is removed
	Over Voltage	Yes, recovers automatically after fault condition is removed
	Over Temperature	Yes, recovers automatically after fault condition is removed
Environment	Working Temp.	-20 ~ +45
	Max. Case Temp.	75
	Working Humidity	10% ~ 95% RH non-condensing
	Storage Temp. & Humidity	40 ~ +80 , 10% ~ 95% RH
Safety & EMC	Safety Standards	ENEC EN61347-1, EN61347-2-13 approved
	Withstand Voltage	I/P-O/P: 3.75KVAC
	Isolation Resistance	I/P-O/P: 100M Ohms / 500VDC / 25 70% RH
	EMC Emission	EN55015, EN61000-3-2, EN61000-3-3
	EMC Immunity	EN61547, EN61000-4-2,3,4,5,6,8,11
Others	MTBF	193.6K hrs min. @ 230VAC full load and 25 ambient temperature
	Dimension	210*50*32mm (L*W*H)

## Dips to set the operation current



Current	1	2	3	4	5	6	7	8
250mA	○	○	○	○	○	○	○	○
300mA	○	○	○	○	○	○	○	○
350mA	○	○	○	○	○	○	○	○
400mA	○	○	○	○	○	○	○	○
450mA	○	○	○	○	○	○	○	○
500mA	○	○	○	○	○	○	○	○
600mA	○	○	○	○	○	○	○	○
700mA	○	○	○	○	○	○	○	○
800mA	○	○	○	○	○	○	○	○
900mA	○	○	○	○	○	○	○	○
1000mA	○	○	○	○	○	○	○	○
1100mA	○	○	○	○	○	○	○	○
1200mA	○	○	○	○	○	○	○	○
1300mA	○	○	○	○	○	○	○	○
1400mA	○	○	○	○	○	○	○	○
1500mA	○	○	○	○	○	○	○	○

- ?DALI DT8 Dimmable LED driver for tunable white
- ?2 channels constant current output, total output power up to 50W
- ?Output current level selectable from 250mA to 1500mA by DIP switches
- ?Class power supply, full isolated plastic case
- ?High power factor and efficiency
- ?Built-in DALI interface, DALI DT8 device
- ?Complies to IEC 62386-209:2011
- ?DALI DT8 device to control Warm White and Cool White output via a single DALI address
- ?Color temperature adjustment according to DALI specifications of Device Type 8, Color Type Tc.
- ?Compatible with universal DALI masters that support DT8 commands
- ?Error report function
- ?IP20 rating, suitable for indoor LED lighting applications

## Safety & Warnings

- ?DO NOT install with power applied to device.
- ?DO NOT set the operation current with power applied
- ?DO NOT expose the device to moisture.

## Operation

### 1. Output Current

Select the correct output current before wiring to LED light by DIP Switches. Please make sure the power to the driver is disconnected before selection of the output current.

### 2. Set DALI Address Manually Via Buttons



- 2.1. Press and hold down any of the two buttons until numeric digital display flashes, then release the button.
- 2.2. Click any of the two buttons once to select a digit, click again to change the digit until the desired DALI address appears. Click first button to set "tens" position and second button to set "units" position. The address can be set from 00~63.
- 2.3. Then press and hold down any of the 2 buttons until the numeric digital display stops flashing to confirm the setting.

**Note:** DALI address can be manually assigned from 00-63-FF, by factory defaults, no DALI address is assigned for the dimmer, and the display shows **FF**. Setting DALI address as **FF** will reset the dimmer to factory defaults.

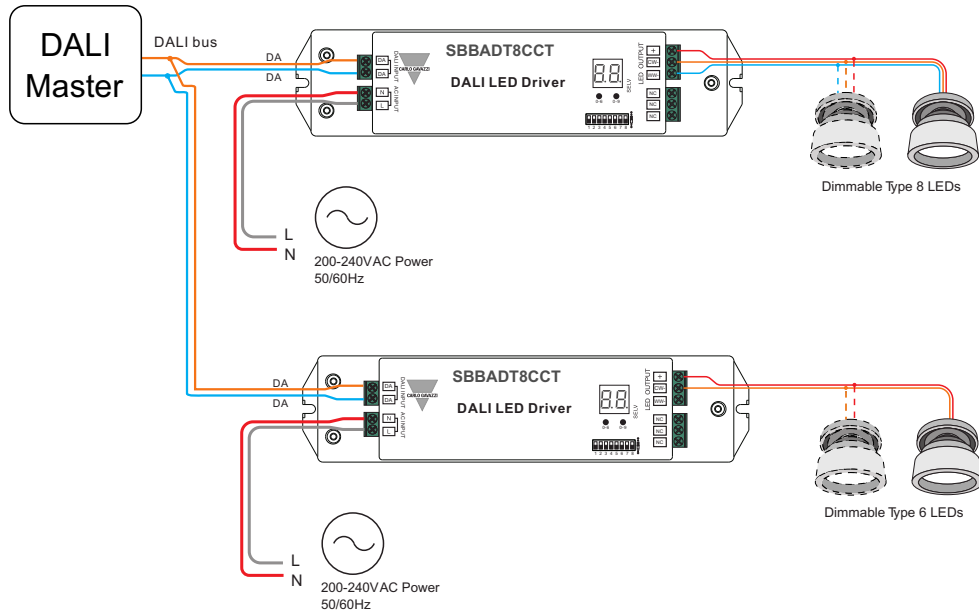
### 3. DALI Address Assigned by DALI Masters

DALI address can also be assigned by DALI Master controller automatically, please refer to user manuals of compatible DALI Masters for specific operations.

**Note:** The digital display will show **AU** When the DALI master is assigning addresses.

4. Once an address is selected, all two channels' address will be the same. For example, if the dimmer is addressed to 22 on the display then CH1 and CH2 will be the same address 22.

## Wiring Diagram



## Product Dimension

