



| | | | | |
|---|-------|------------------|---------|------------------------------|
| Product designation | | | | Enclosed switch disconnecter |
| Product type designation | | | | GAZ |
| Number of poles | | Nr. | 3 | |
| Operating voltage type | | | AC | |
| Contact characteristics | | | | |
| IEC Conventional free air thermal current I _{th} | | A | 40 | |
| Rated insulation voltage U _i IEC/EN | | V | 1000 | |
| Rated impulse withstand voltage U _{imp} | | kV | 8 | |
| Operating current I _e | | | | |
| | AC21A | | | |
| | | 400V | A | 40 |
| | | 500V | A | 40 |
| | | 690V | A | 40 |
| | AC22A | | | |
| | | 400V | A | 40 |
| | | 500V | A | 40 |
| | | 690V | A | 40 |
| | AC23A | | | |
| | | 400V | A | 40 |
| | | 500V | A | 25 |
| | | 690V | A | 25 |
| Power dissipation per pole max | | | W | 1 |
| Rated operational power AC23A | | | | |
| | | 400V | kW | 18.5 |
| | | 690V | kW | 22 |
| Conditional short-circuit current (rms) | | | kA | 10 |
| Short-circuit protection with fuse | | | Class/A | gG40 |
| Making capacity AC23A 400V | | | A | 400 |
| Breaking capacity AC23A 400V | | | A | 320 |
| Mechanical life | | | cycles | 100000 |
| Electrical life AC21A | | | cycles | 100000 |
| Mechanical features | | | | |
| Operating position | | normal allowable | | Vertical plan Any |
| Terminals | | type | | Pillar |
| | | width | mm | 5.6 |
| | | height | mm | 6.5 |
| | | screw | | M4 |
| | | tool | | Phillips 2 |
| Tightening torque for terminals | | | | |
| | | min | Nm | 1.8 |
| | | max | Nm | 2 |

| | | | |
|--|-----|------|----|
| | min | lbin | 16 |
| | max | lbin | 18 |

Conductor section

| | | |
|---------------|-----------------|------|
| IEC min | mm ² | 0.75 |
| IEC max | mm ² | 16 |
| AWG/kcmil min | | 18 |
| AWG/kcmil max | | 6 |

Ambient conditions

Operating temperature

| | | |
|-----|----|-----|
| min | °C | -25 |
| max | °C | +55 |

Storage temperature

| | | |
|-----|----|-----|
| min | °C | -40 |
| max | °C | +70 |

Max altitude

| | |
|---|------|
| m | 3000 |
|---|------|

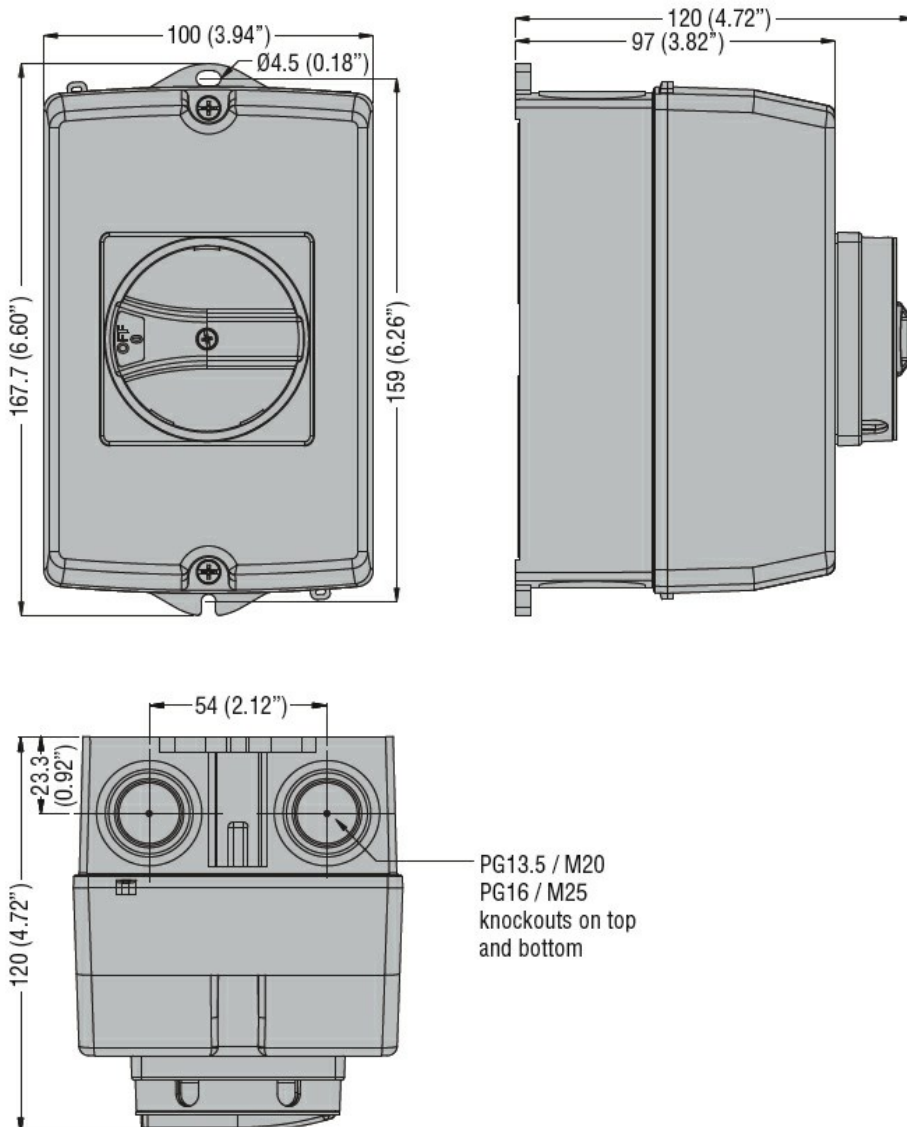
Resistance & Protection

| | |
|-------------------|------|
| Frontal IP degree | IP65 |
|-------------------|------|

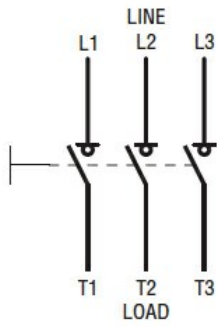
| | |
|-------------------------|------|
| IP degree of protection | IP65 |
|-------------------------|------|

| | |
|------------------|---|
| Pollution degree | 3 |
|------------------|---|

Dimensions



Wiring diagrams



Certifications and compliance

Compliance

IEC/EN 60947-1

IEC/EN 60947-3

Certifications

EAC

ETIM classification

ETIM 8.0

EC000216 -
Switch
disconnector