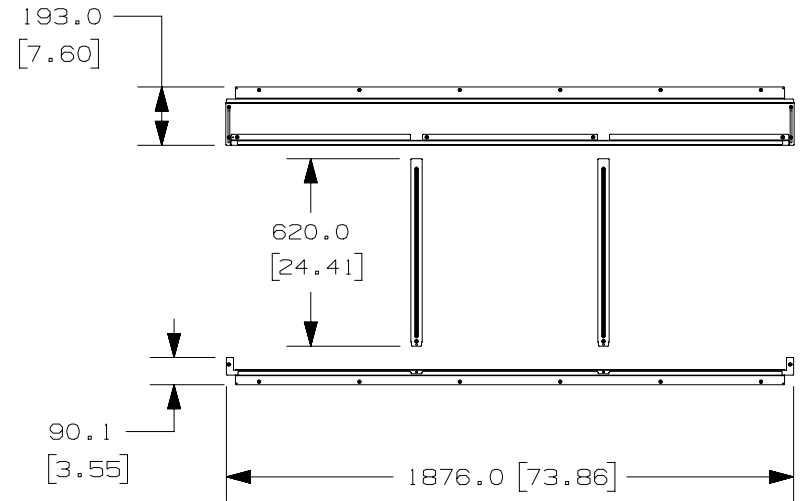
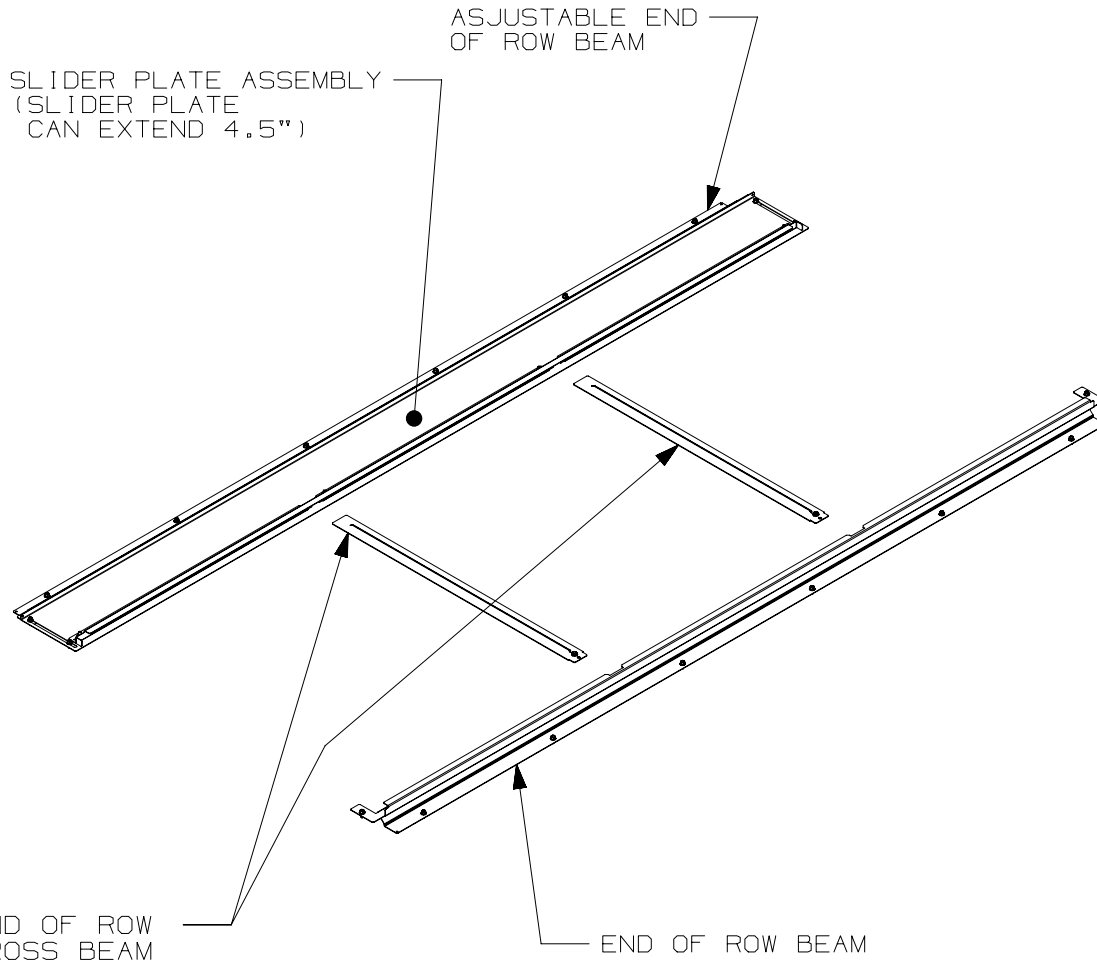


THIS COPY IS PROVIDED ON A RESTRICTED BASIS AND IS NOT TO BE USED IN ANY WAY DETRIMENTAL TO THE INTERESTS OF PANDUIT CORP.

| PANDUIT P/N  | DESCRIPTION                  | COLOR | WEIGHT                         |
|--------------|------------------------------|-------|--------------------------------|
| CUEORF06DPB1 | END OF ROW BEAM KIT - 1800mm | BLACK | 6.2 Kg/EACH<br>[13.6 lbs/EACH] |
| CUEORF06DPW1 | END OF ROW BEAM KIT - 1800mm | WHITE | 6.2 Kg/EACH<br>[13.6 lbs/EACH] |

- VISIT OUR ON-LINE CATALOG AT [WWW.PANDUIT.COM](http://WWW.PANDUIT.COM) FOR A LIST OF CURRENT PARTS APPLICABLE FOR USE WITH THIS PRODUCT.
- PARTS SUPPLIED:
  - 1- END OF ROW BEAM ADJUSTABLE
  - 1- END OF ROW BEAM
  - 1- SLIDER PLATE ASSEMBLY
  - 2- END OF ROW CROSS BEAMS
  - 1- HARDWARE KIT
  - 1- INSTRUCTION SHEET
- PRIMARY DIMENSIONS ARE IN MILLIMETERS.
- FOR USE WITH PANDUIT 1800mm WIDTH AISLE NET-CONTAIN UNIVERSAL AISLE CONTAINMENT (UAC) SYSTEM.
- ORDER ONE END OF ROW KIT PER UAC CONTAINMENT STRUCTURE
- SEE CUSTOMER DRAWINGS 00047NWE FOR RELATED COMPONENTS.



|                    |  |   |  |                                  |  |
|--------------------|--|---|--|----------------------------------|--|
| TITLE              |  | END OF ROW KIT - 1800mm<br>(CUEORF06DP**) |  | CUSTOMER DRAWING                 |  |
| ITEM REVISION NAME |  | 00047NWF/00                               |  | <b>PANDUIT</b>                   |  |
| DATASET FILE NAME  |  | 00047NWF_DC/00A                           |  |                                  |  |
| MATERIAL:          |  | N/A                                       |  | DRAWING NUMBER:<br>00047NWF - DC |  |
| DRAWN BY           |  | DATE                                      |  | THIRD ANGLE PROJECTION           |  |
| LEE                |  | 5-7-18                                    |  |                                  |  |
| CHK                |  | SCALE                                     |  | SHT 1 OF 1                       |  |
| MSH                |  | NONE                                      |  | SIZE<br>A                        |  |

| 00A | 5-7-18 | LEE | MSH | SJP | RELEASED TO PRODUCTION | V09001QD/01 |
|-----|--------|-----|-----|-----|------------------------|-------------|
| REV | DATE   | BY  | CHK | APR | DESCRIPTION            | ECN         |

D10100DA/16