

THIS COPY IS PROVIDED ON A RESTRICTED BASIS AND IS NOT TO BE USED IN ANY WAY DETRIMENTAL TO THE INTERESTS OF PANDUIT CORP.

T-70 RACEWAY KNOCK-OUT
COMBINATION 1/2" OR 3/4" KNOCK-OUT

COMBINATION 1" OR 1 1/4" KNOCK-OUT

REMOVABLE PLATES FOR ADDITIONAL CABLE CAPACITY

REVERSIBLE AND REMOVABLE DOOR

NOTES:

1. VISIT OUR ON-LINE CATALOG AT WWW.PANDUIT.COM FOR A LIST OF CURRENT PARTS APPLICABLE FOR USE WITH THIS PRODUCT.
2. DIMENSIONS IN [] ARE METRIC.
3. CAN BE USED WITH ANY 19" EIA STANDARD COMPONENT UP TO 36.9" [938mm] DEEP.
4. 9 AVAILABLE RACK SPACES. (9 ACTIVE &/OR 9 PASSIVE)
5. EQUIPMENT MOUNTING BRACKETS ARE ADJUSTABLE VERTICALLY IN 1.75" [44.5mm] INCREMENTS.
6. WEIGHT: 77 LB [34.9 KG]
7. LOAD CAPACITY: 400 LBS
8. TOP AND BOTTOM PANELS ARE REMOVABLE FOR ACCESS TO EQUIPMENT.
9. PART INCLUDES:
 - (1) VERTICAL WALL MOUNT ENCLOSURE
 - (1) PAIR OF HORIZONTAL ACTIVE EQUIPMENT RAILS (9RU)
 - (1) PAIR OF ANGLED PASSIVE EQUIPMENT RAILS (9RU)
 - (4) #12-24 SCREWS
 - (4) M5 THREAD FORMING BONDING SCREWS
 - (1) ROLL OF TAK-TY HOOK AND LOOP CABLE TIE
 - (2) KEYS
 - (1) ROLL OF GROMMET EDGING
 - (1) HARDWARE KIT

REMOVABLE TOP LID

PERFORATED FOR AIRFLOW

WALL PASS-THRU KNOCK-OUT

ADJUSTABLE ANGLED PASSIVE EQUIPMENT RAILS

ADJUSTABLE HORIZONTAL ACTIVE EQUIPMENT RAILS (#12-24 AND CAGE NUT)

MULTIPLE CONDUIT BOX MOUNTING LOCATIONS

REMOVABLE BOTTOM PLATE

PERFORATED FOR AIRFLOW

PERFORATED FAN KNOCK-OUTS

28.5
[724]

42.0
[1068]

COMBINATION 1 1/2" OR 2" KNOCK-OUT

T-70 RACEWAY KNOCK-OUT

COMBINATION 1/2" OR 3/4" KNOCK-OUT

19.9
[506]

PART NUMBER

WME9BL

TITLE

VERTICAL WALL MOUNT ENCLOSURE 9RU

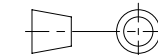
CUSTOMER DRAWING

ITEM REVISION NAME

00490EAC/01

DATASET FILE NAME

00490EAC_DC/01A



THIRD ANGLE PROJECTION

MATERIAL

STEEL

DRAWING NUMBER

00490EAC-DC

01A	3-17-20	TWV	KZU	BETL	RELEASED TO PRODUCTION	M09000LH
REV	DATE	BY	CHK	APR	DESCRIPTION	ECN

DRAWN BY

TWV

DATE

3-17-20

CHK

KZU

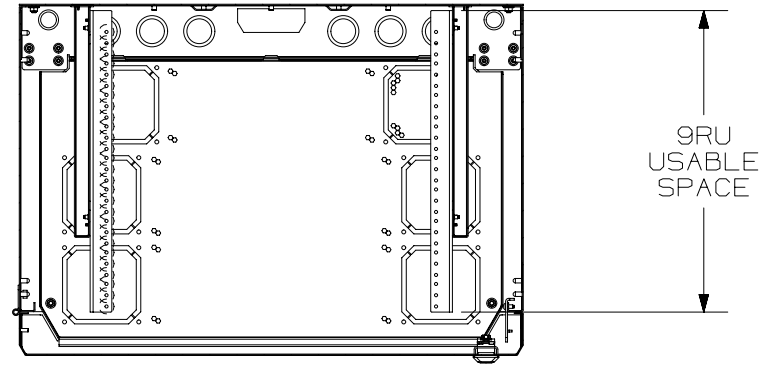
SCALE

NONE

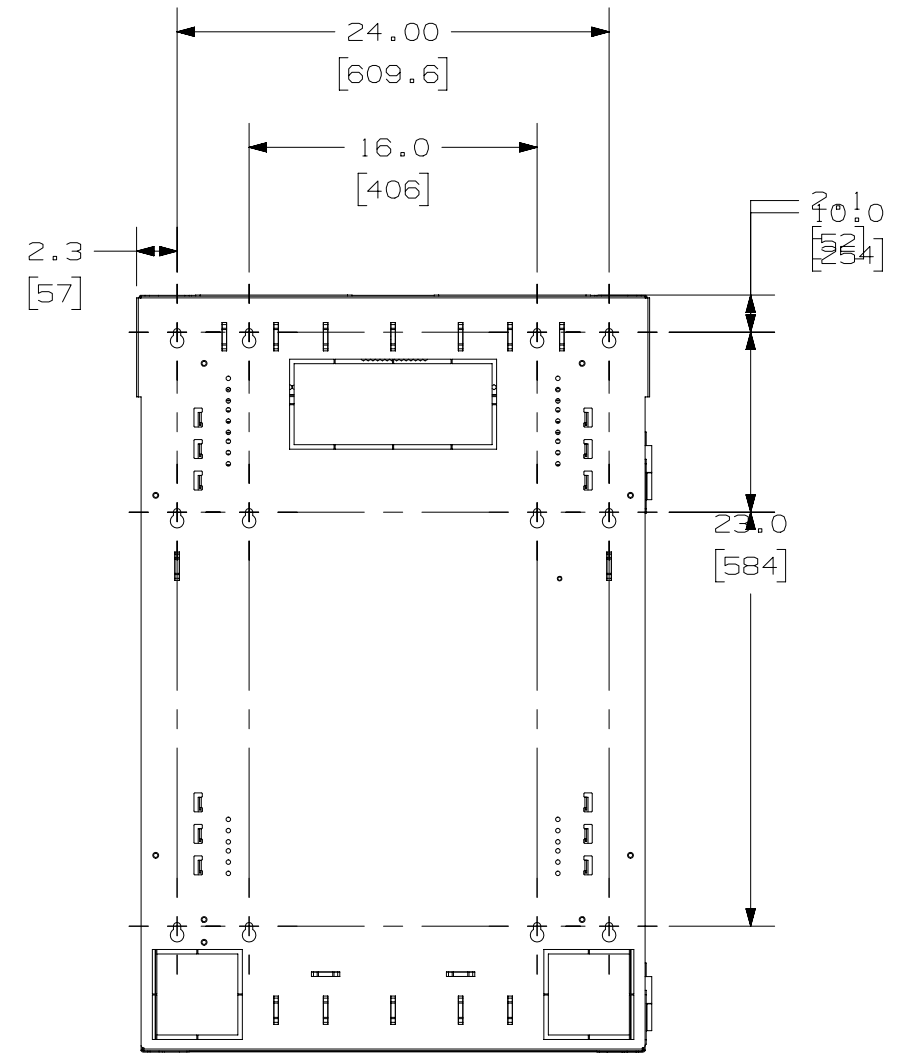
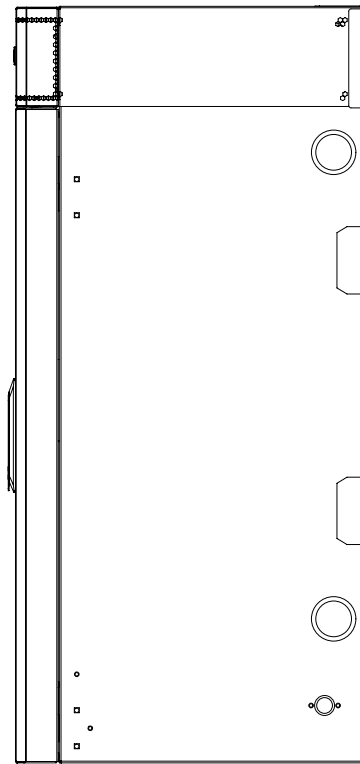
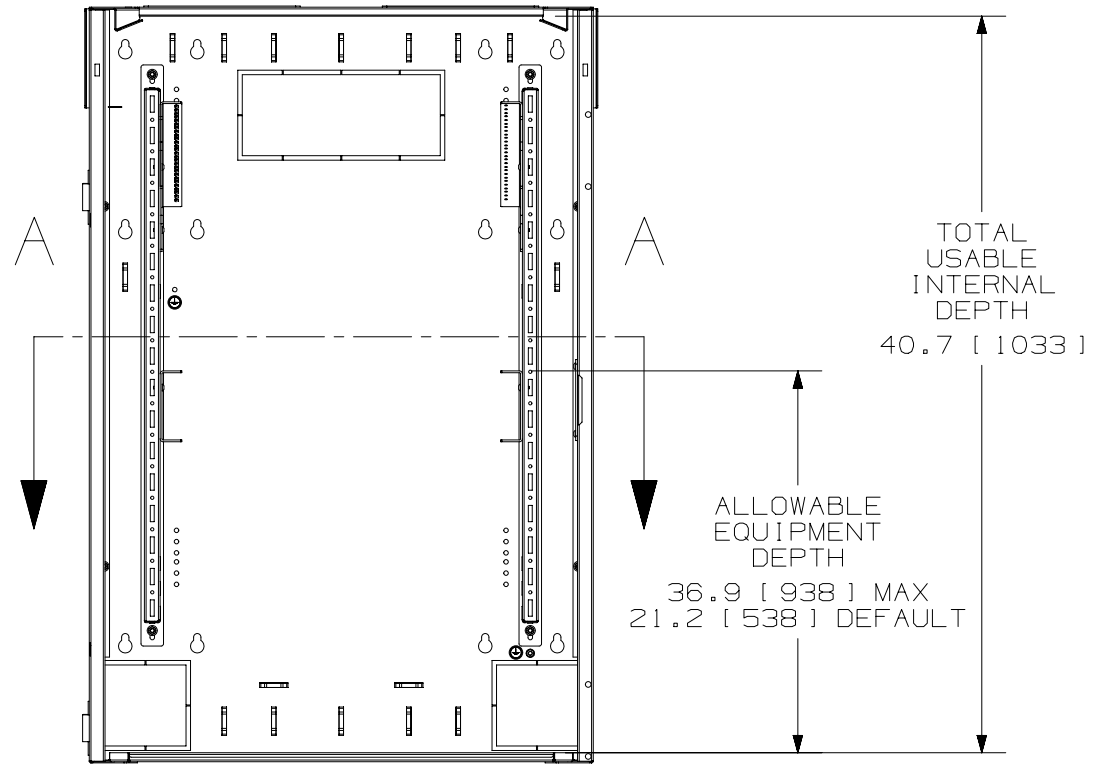
SHEET 1 OF 3

SIZE

B



SECTION A - A



PART NUMBER		WME9BL		
TITLE		VERTICAL WALL MOUNT ENCLOSURE 9RU		
		CUSTOMER DRAWING		
ITEM REVISION NAME		00490EAC/01		
DATASET FILE NAME		00490EAC_DC/01A		
MATERIAL		STEEL		
DRAWING NUMBER		00490EAC - DC		
THIRD ANGLE PROJECTION				
DRAWN BY	DATE	CHK	SCALE	SIZE
TWV	3-17-20	KZU	NONE	B
SHEET 2 OF 3				

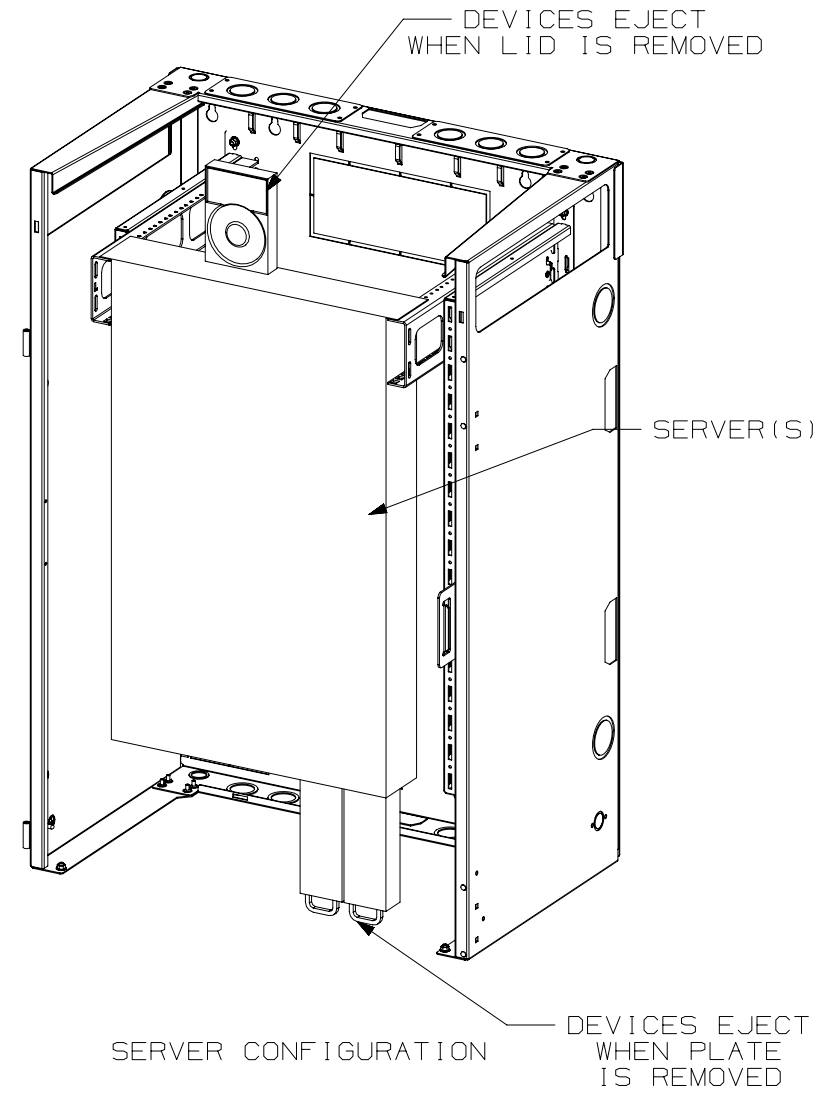
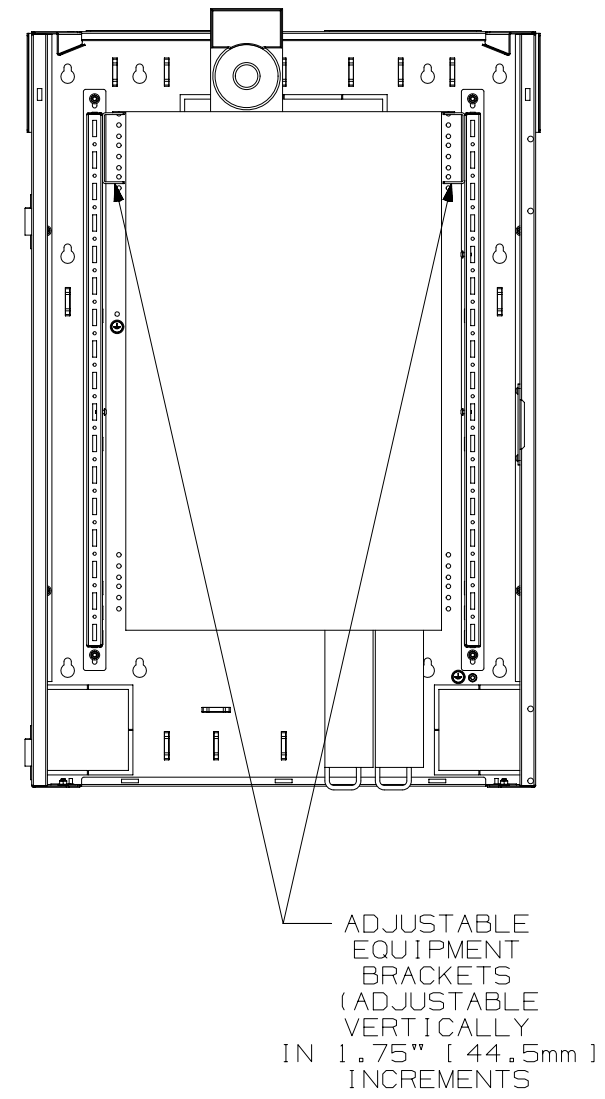
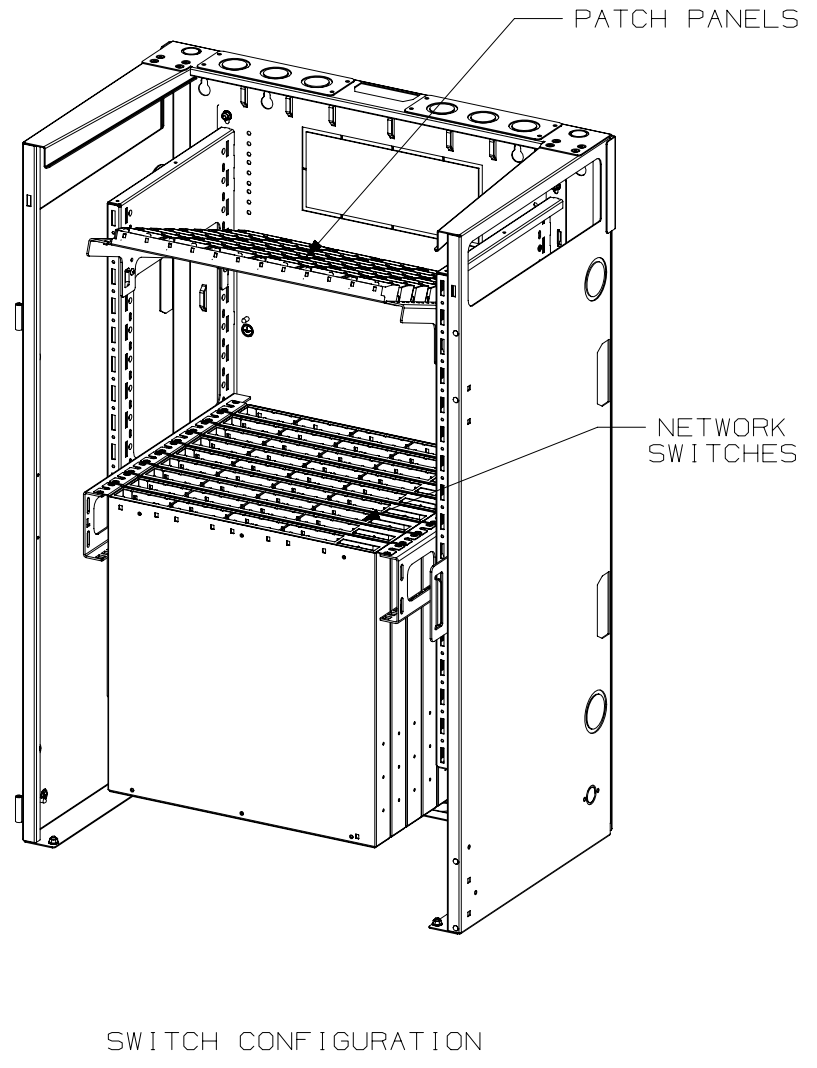
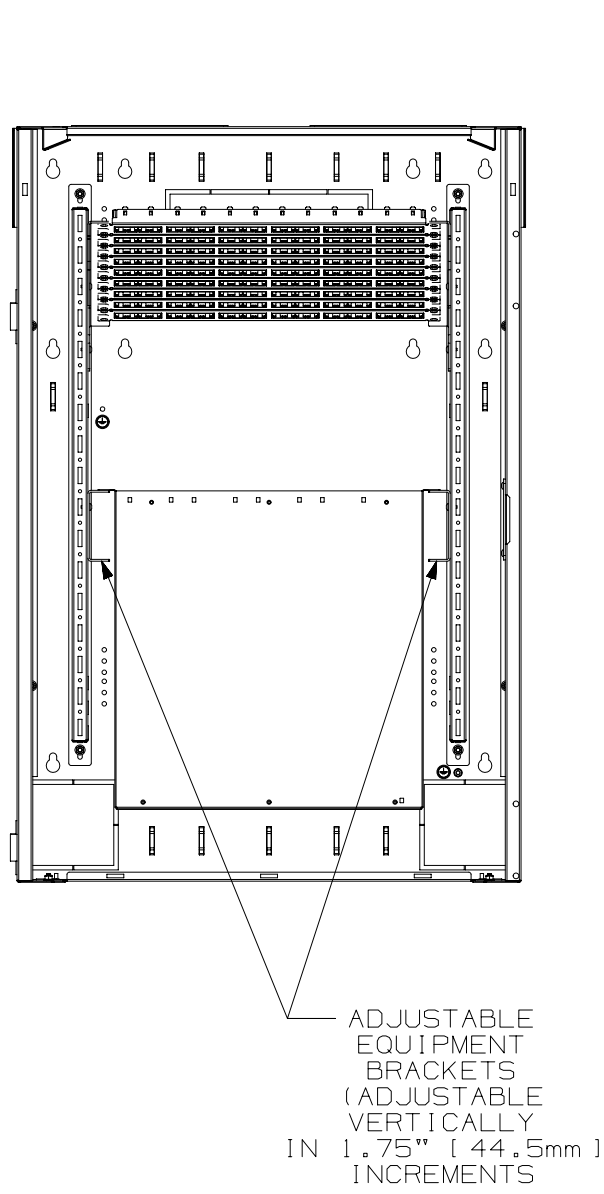
REV	DATE	BY	CHK	APR	DESCRIPTION	ECN
01A	3-17-20	TWV	KZU	BETL	SEE SHEET ONE FOR REVISIONS	M09000LH

B-SIZE CUSTOMER

2



1



PART NUMBER		WME9BL	
TITLE		VERTICAL WALL MOUNT ENCLOSURE 9RU	
ITEM REVISION NAME		CUSTOMER DRAWING	
DATASET FILE NAME		00490EAC/01	
MATERIAL		STEEL	
DRAWING NUMBER		00490EAC - DC	
THIRD ANGLE PROJECTION			
DRAWN BY	DATE	CHK	SCALE
TWV	3-17-20	KZU	NONE
SHEET 3 OF 3		B	

REV	DATE	BY	CHK	APR	DESCRIPTION	ECN
01A	3-17-20	TWV	KZU	BETL	SEE SHEET ONE FOR REVISIONS	M09000LH

B

B

A

A

B-SIZE CUSTOMER

2



1