



Product designation				Auxiliary contact	
Product type designation				11BGX10	
Contact characteristics					
Number of poles	Nr.	2			
Rated insulation voltage U_i IEC/EN	V	690			
Rated impulse withstand voltage U_{imp}	kV	6			
IEC Conventional free air thermal current I_{th}	A	10			
Tightening torque for terminals	min	Nm	0.8		
	max	Nm	1		
	min	lbin	9		
	max	lbin	9		
Tightening torque for coil terminal	min	lbin	9		
	max	lbin	9		
Max number of wires simultaneously connectable	Nr.	2			
Conductor section	AWG/Kcmil				
		max	12		
	Flexible w/o lug conductor section	min	mm ²	0.75	
		max	mm ²	2.5	
	Flexible c/w lug conductor section	min	mm ²	0.75	
		max	mm ²	2.5	
Flexible with insulated spade lug conductor section	min	mm ²	0.75		
	max	mm ²	2.5		
Mechanical features					
Operating position	normal allowable		On vertical plane		
			Any		
Fixing			Front centre mounting		
Weight			g	21	
Terminals screw			Screw		
Conductor section	AWG/kcmil conductor section				
		max	12		
	IEC	max	mm ²	1 or 2 x 2.5	
Auxiliary contact characteristics					
Type of contact			2NO		
Thermal current I_{th}	A	10			
IEC/EN 60947-5-1 designation			A600 - Q600		

Operating current AC15

230V	A	3
400V	A	1.9
500V	A	1.4

Operating current DC13

24V	A	3
48V	A	1.5
60V	A	1.2
110V	A	0.6
125V	A	0.55
220V	A	0.27
600V	A	0.1

Electrical characteristics

Conductivity 5V 10 mA

UL/CSA and IEC/EN 60947-5-1 designation A600 Q600

Operating current AC15

120V	A	6
240V	A	3
480V	A	1.5
600V	A	1.2

Operating current DC13

12V	A	10
250V	A	0.27
440V	A	0.15
500V	A	0.13

Ambient conditions

Temperature

Operating temperature

min	°C	-50
max	°C	+70

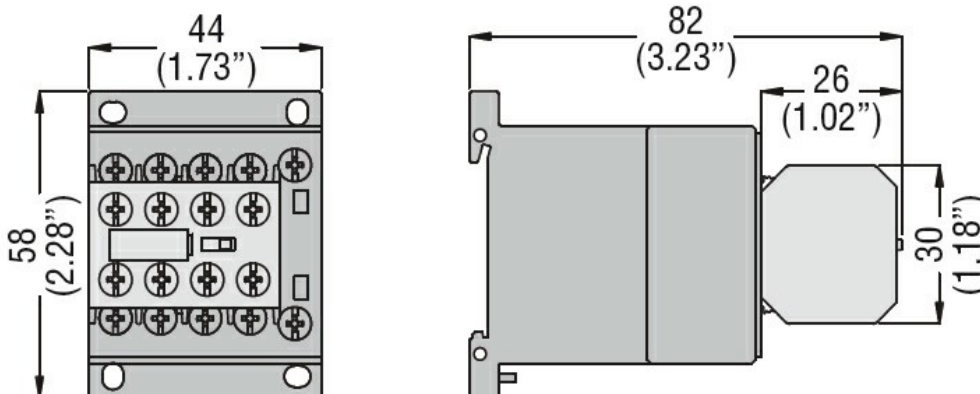
Storage temperature

min	°C	-60
max	°C	+80

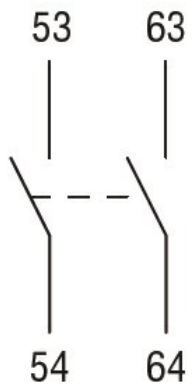
Max altitude

m 3000

Dimensions



Wiring diagrams



Certifications and compliance

Compliance

CSA C22.2 n° 60947-1

CSA C22.2 n° 60947-5-1

IEC/EN 60947-1

IEC/EN 60947-5-1

UL 60947-1

UL 60947-5-1

Certificates

CCC

cULus

EAC

ETIM classification

ETIM 8.0

EC000041 -
Auxiliary contact
block