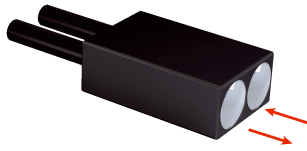


LL3-DR09

LL3

FIBERS

SICK
Sensor Intelligence.



Ordering information

Type	Part no.
LL3-DR09	5325528

Other models and accessories → www.sick.com/LL3

Detailed technical data

Features

Device type	Fibers
Functional principle	Proximity system
For fiber-optic sensor	GLL170(T), WLL180, WLL24 Ex, WLL80
Fiber length	2,000 mm
Fiber material	Polymethylmethacrylat (PMMA)
Jacket material	Polyethylen (PE)
Fiber head material	Plastic
Outer diameter, fiber-optic cable connection	2.2 mm
Fiber-optic cable cuttable	✓
Fiber-optic head design	Flat type
Fiber arrangement	Multi-fiber – fiber bundle
Core structure	151 x Ø 0,08 mm Multi-fiber – fiber bundle
Compatibility with infrared light (1,450 nm)	No
Application	Lcd / clear material / semiconductor, high flexible (static)
Highly flexible/elastic fibers (bend radius 1–4 mm)	Yes
Adapter end sleeves required	No
Minimal object diameter	0.03 mm ¹⁾
Compatibility tip adapters	No
Special features	Small aperture angle of approximately 12 °

¹⁾ Minimum detectable object was determined at optimum measuring distance and optimum setting.

Mechanics/electronics

Bend radius, fibre-optic cable	1 mm
Ambient operating temperature	-20 °C ... +70 °C

Classifications

ECLASS 5.0	27270905
ECLASS 5.1.4	27270905
ECLASS 6.0	27270905
ECLASS 6.2	27270905
ECLASS 7.0	27270905

ECLASS 8.0	27270905
ECLASS 8.1	27270905
ECLASS 9.0	27270905
ECLASS 10.0	27270905
ECLASS 11.0	27270905
ECLASS 12.0	27270905
ETIM 5.0	EC002651
ETIM 6.0	EC002651
ETIM 7.0	EC002651
ETIM 8.0	EC002651
UNSPSC 16.0901	39121528

Sensing ranges with WLL80

Operating mode 16 μs	250 mm
Operating mode 70 μs	760 mm
Operating mode 250 μs	1,200 mm
Operating mode 500 μs	1,665 mm
Operating mode 1 ms	1,740 mm
Operating mode 2 ms	2,300 mm
Operating mode 8 ms	3,170 mm

Sensing ranges with WLL180T

Operating mode 16 μs	110 mm
Operating mode 70 μs	345 mm
Operating mode 250 μs	560 mm
Operating mode 2 ms	1,100 mm
Operating mode 8 ms	1,190 mm
Note	Sensing ranges related to fiber-optic sensors with type of light: visible red light

Sensing ranges with GLL170

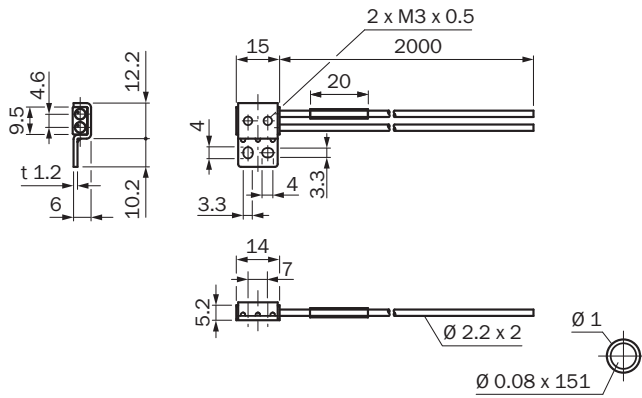
Operating mode 250 μs	370 mm
---	--------

Sensing ranges with GLL170T

Operating mode 50 μs	230 mm
Operating mode 250 μs	400 mm

Dimensional drawing (Dimensions in mm (inch))

LL3-DR09



SICK AT A GLANCE

SICK is one of the leading manufacturers of intelligent sensors and sensor solutions for industrial applications. A unique range of products and services creates the perfect basis for controlling processes securely and efficiently, protecting individuals from accidents and preventing damage to the environment.

We have extensive experience in a wide range of industries and understand their processes and requirements. With intelligent sensors, we can deliver exactly what our customers need. In application centers in Europe, Asia and North America, system solutions are tested and optimized in accordance with customer specifications. All this makes us a reliable supplier and development partner.

Comprehensive services complete our offering: SICK LifeTime Services provide support throughout the machine life cycle and ensure safety and productivity.

For us, that is “Sensor Intelligence.”

WORLDWIDE PRESENCE:

Contacts and other locations –www.sick.com