



Product designation

Rotary cam
switches

Product type designation

GX32

General characteristics

Switching diagram

92 - ON/OFF
switch 4 poles

N° of elements

2

Mounting form

U25 - Front
mounting with
red/yellow handle
padlockable in 0
and protection
covers

Contact characteristics

Rated insulation voltage U_i

IEC/EN	V	690
UL/CSA	V	600

Rated impulse withstand voltage U_{imp}

kV	6
----	---

Conventional free air thermal current I_{th}

IEC/EN	A	32
UL/CSA	A	32

Rated operational voltage

V	440
---	-----

Rated operational impulse voltage

kV	4
----	---

Maximum fuse size for short-circuit protection I_n (gG)

10kA	A	35
15kA	A	35
25kA	A	35

Rated short time current I_{cw}

1s	A	1000
----	---	------

Conductivity

10/5 mA/V

Operational current I_e IEC/EN

AC1/AC21A

A	32
---	----

AC15

110V	A	25
220/230V	A	20
380/400V	A	10
660/690V	A	2

Rated operational power in AC

Three-phase AC-3

220/230V	kW	7.5
380/440V	kW	11
500/690V	kW	11

Single-phase AC-3

110V	kW	1.8
220/230V	kW	3.5

	380/440V	kW	5.5
Three-phase AC23A	220/230V	kW	8
	380/440V	kW	15
	500/690V	kW	15
Single-phase AC23A	110V	kW	2.2
	220/230V	kW	3.5
	380/440V	kW	6
Rated operational current in DC			
DC21A	48V	A	32
	60V	A	32
	110V	A	5
	220V	A	0.8
	440V	A	0.25
DC23A (poles in series)	24V	A	32 (1)
	48V	A	32 (2)
	60V	A	32 (3)
	110V	A	15 (3)
	220V	A	12 (4)
DC13	24V	A	32
	48V	A	25
	60V	A	14
	110V	A	3
	220V	A	0.5
	440V	A	0.15
Power dissipation		W	1.6
Mechanical features			
Terminals screw			M4
Tightening torque for terminals max		Nm	1.2
Conductor size			
AWG - Rigid cable			
	min	AWG	16
	Max	AWG	8
AWG - Flexible cable			
	min	AWG	16
	Max	AWG	10
Conductor size (IEC) - Flexible cable			
	min	mm ²	1.5
	Max	mm ²	6
Conductor size (IEC) - Rigid cable			
	min	mm ²	1.5
	Max	mm ²	10
Mechanical life		cycles	1X10 ⁶
UL technical data			
Motor power for direct-on-line control for three-phase motor			
	120V	HP	3
	240V	HP	7.5
	480V	HP	15
	600V	HP	15

for single-phase motor

120V	HP	1.5
240V	HP	3

Ambient conditions

Temperature

Operating temperature

min	°C	-25
max	°C	+55

Storage temperature

min	°C	-40
max	°C	+70

Resistance & Protection

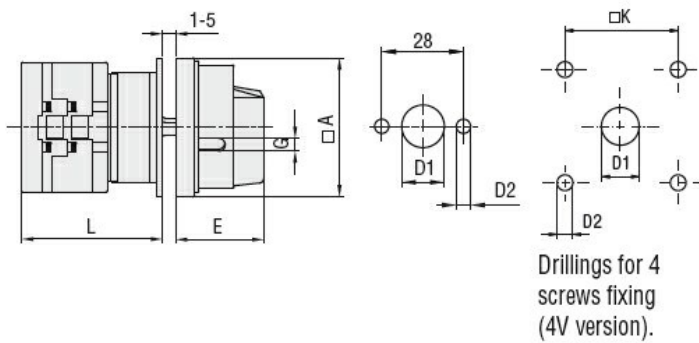
Frontal IP degree

IP65

Terminals IP degree

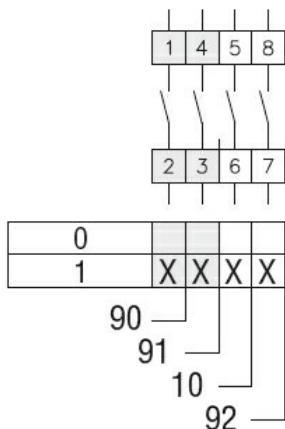
IP20

Dimensions



Series	Dimensions						L			
	□A	D1	D2	E	G	□K	1	2	3...12	
GX16	48	12	5	34.2	5	36	43	51.5	60	136.5
GX20	48	12	5	34.2	5	36	43	51.5	60	136.5
GX32	65	14	5	38	6	48	51	63	75	183
GX40	65	14	5	38	6	48	51	63	75	183

Wiring diagrams



Certifications and compliance

Compliance

- CSA C22.2 n° 14
- IEC/EN/BS 60947-1
- IEC/EN/BS 60947-3

IEC/EN/BS 60947-5-1

IEC/EN/BS 61058-1

UL60947-4-1

Certificates

cULus

EAC

ETIM classification

ETIM 8.0

EC001105 - Off-
load switch