

Part number

# CDF 25 Z



Female insert, CD series, crimp connection, 25 poles + PE, 10 A 250 V 4 kV 3, size "66.40"

Product description	
<b>Product type</b>	Insert
<b>Series</b>	CD
<b>Connection type</b>	Crimp connection
<b>Gender</b>	Female
<b>N. of poles</b>	25 poles +
<b>Size</b>	Size "66.40"
Technical data	
<b>Current</b>	10 A
<b>Voltage</b>	250 V
<b>Rated impulse withstand voltage</b>	4 kV
<b>Pollution degree</b>	3
<b>Rated voltage according to UL/CSA</b>	600 V
<b>Pole numbering system</b>	ZA (1-9), ZB (1-7), ZC (1-9)
<b>IP degree of protection</b>	IP20 without enclosure, IP65/IP66 with enclosure
Further technical details	
<b>Characteristics according to EN 61984</b>	10A 250V 4kV 3; 10A 230/400V 4kV 2
<b>Mating cycles</b>	≥ 500
<b>Insulation resistance</b>	≥ 10 GΩ
<b>Contact resistance</b>	≤ 3 mΩ
<b>Weight</b>	37,00 g
<b>Operating temperature range (min, max)</b>	-40 °C ... +125 °C
<b>Conductors stripping length</b>	6 - 8 mm
<b>UL 94 flammability rating</b>	V-0
<b>Tightening torque for PE connection</b>	M3,5: 0,8 Nm; 7,1 lb.in (Ph1 or 0,8 x 5,5 mm)
<b>Tightening torque for fixing screws</b>	M3: 0.5 Nm; 4.4 lb.in (Ph1 or 0.8x4 mm)

Material properties	
<b>Main material</b>	Polycarbonate (PC)
<b>Colour</b>	RAL 7032 grey
<b>RoHs conformity</b>	Compliant
<b>China RoHs - EFUP</b>	E
<b>REACH SVHC substances</b>	No
Approvals / Standards	
<b>Reference standard</b>	EN 61984:2009-06
<b>Certifications</b>	CSAc, CQC, DNV, BV, EAC
<b>UL</b>	ECBT2
<b>cUL</b>	ECBT8
General ordering information	
<b>EAN13 code</b>	8015747112086
<b>eCl@ss 8.1</b>	27440205
<b>ETIM 7.0</b>	EC000438
Packaging Information	
<b>Packaging length</b>	260,00 mm
<b>Packaging height</b>	100,00 mm
<b>Packaging width</b>	150,00 mm
<b>Packaging weight</b>	1,32 kg
<b>Packaging volume</b>	3,90 dm <sup>3</sup>
<b>Packaging description</b>	Carton box
<b>Packaging quantity</b>	30 Pcs
<b>Packaging EAN code</b>	8015747112109
<b>Sub-packaging length</b>	118,00 mm
<b>Sub-packaging height</b>	32,00 mm
<b>Sub-packaging width</b>	76,00 mm
<b>Sub-packaging weight</b>	0,22 kg
<b>Sub-packaging volume</b>	0,29 dm <sup>3</sup>
<b>Sub-packaging description</b>	Carton box
<b>Sub-packaging quantity</b>	5 Pcs
<b>Sub-packaging EAN barcode</b>	8015747112116

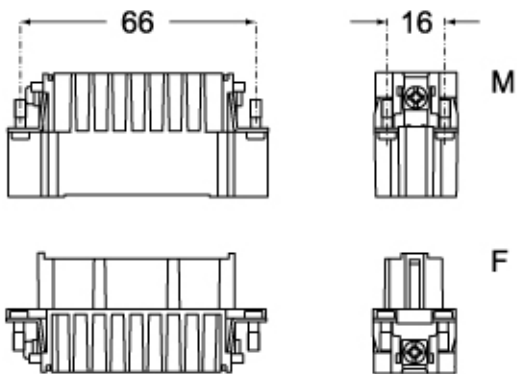
Part number

# CDF 25 Z

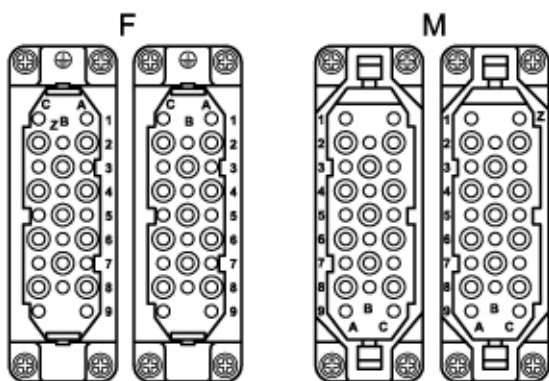


Catalogue drawings

### CDM 25 (Z)



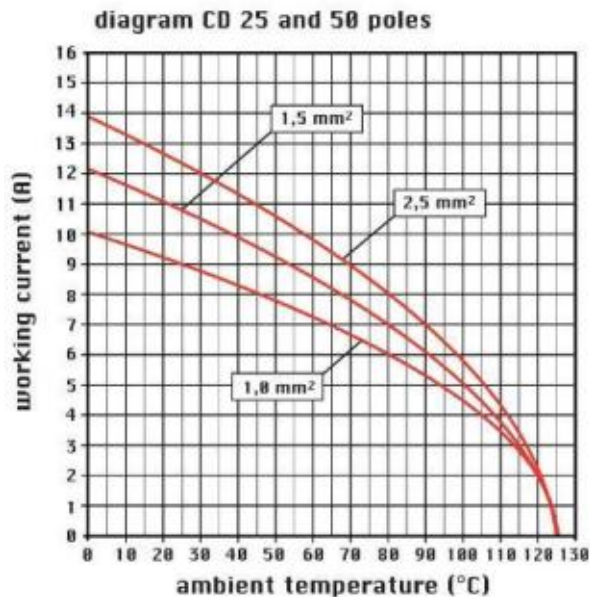
### CDF 25 (Z)



CDF 25 Z - CDF 25

CDM 25 - CDM 25 Z

Catalogue drawings



## Notes

### California Proposition 65 Information



**WARNING**

This product can expose you to nickel compounds, known to the State of California to cause cancer and/or reproductive toxicity. For more information go to [www.P65Warnings.ca.gov](http://www.P65Warnings.ca.gov).

without notice.