



Fixing bases for
 signal tower and
 beacons -
 Horizontal
 surface mount
 8LT7BP01G

Product designation

Product type designation

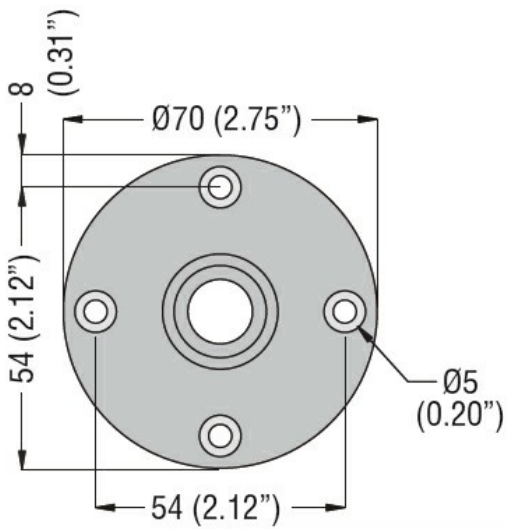
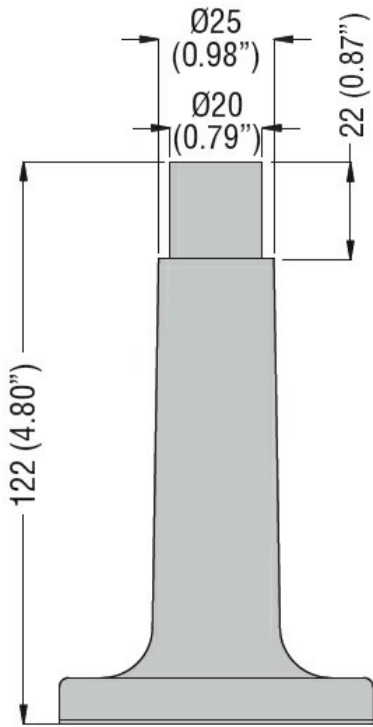
General characteristics

Diameter	mm - inch	62 / 2.44 - 70 / 2.75
Colour		Grey
Material		Plastic

Mechanical features

Weight	g	45
--------	---	----

Dimensions



Certifications and compliance

Compliance

/

Certificates

/

ETIM classification

ETIM 8.0

EC001259 -
 Stand for signal
 tower with tube