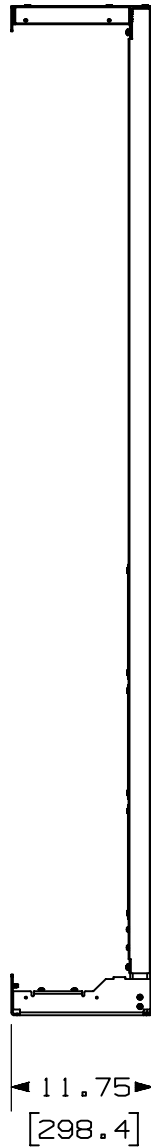
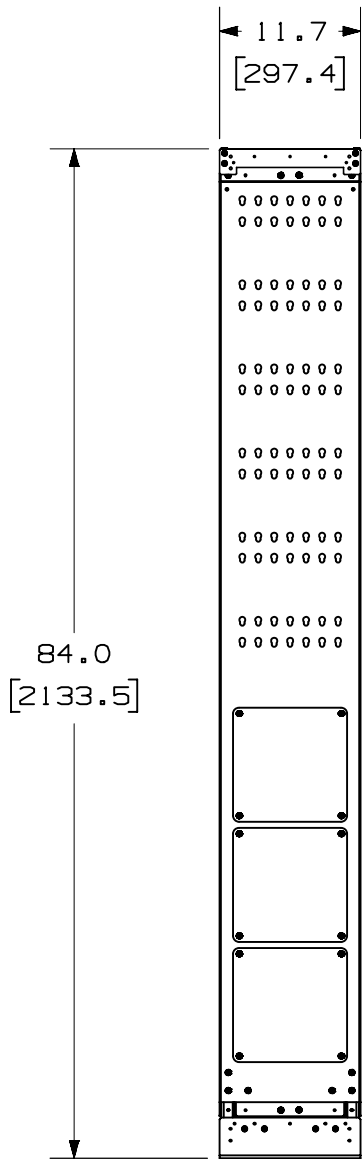


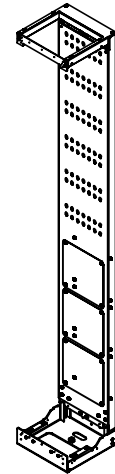
THIS COPY IS PROVIDED ON A RESTRICTED BASIS AND IS NOT TO BE USED IN ANY WAY DETRIMENTAL TO THE INTERESTS OF PANDUIT CORP.



NOTES:

1. VISIT OUR ON-LINE CATALOG AT WWW.PANDUIT.COM FOR A LIST OF CURRENT PARTS APPLICABLE FOR USE WITH THIS PRODUCT.
2. DIMENSIONS IN [] ARE METRIC.
3. ALL MATERIALS AND COMPONENTS USED MEET THE MATERIAL RESTRICTIONS OF RoHS (EUROPEAN DIRECTIVE 2011/65/EU ON THE RESTRICTION OF HAZARDOUS SUBSTANCES) AS PROPOSED BY THE RoHS TECHNICAL ADAPTATION COMMITTEE.
4. WEIGHT: 45lbs (20kg)
5. PART INCLUDES:
 - (1) 300mm VERTICAL CABLE MANAGER
 - (1) LOWER TROUGH WITH ACCESS COVER
 - (1) HARDWARE KIT
6. FULLY BONDED UNIT

PART NUMBER	PAINT COLOR
FDFVCM3045GY	GRAY
FDFVCM3045BL	BLACK



PART NUMBER		SEE TABLE		
TITLE				
FDFVCM3045** - 300mm VERTICAL MANAGER ASSEMBLY				
CUSTOMER DRAWING				
ITEM REVISION NAME		00676EBC/04		
DATASET FILE NAME		00676EBC_DC-R04A		
		THIRD ANGLE PROJECTION		
MATERIAL			DRAWING NUMBER	
N/A			00676EBC-DC	
DRAWN BY	DATE	CHK	SCALE	SIZE
SAT	01-26-22	ACBR	NONE	A
SHEET 1 OF 1				

A-SIZE CUSTOMER

04A	01-26-22	SAT	ACBR	GB-SJMO	INITIAL RELEASE	00676EBC-DC
REV	DATE	BY	CHK	APR	DESCRIPTION	ECN

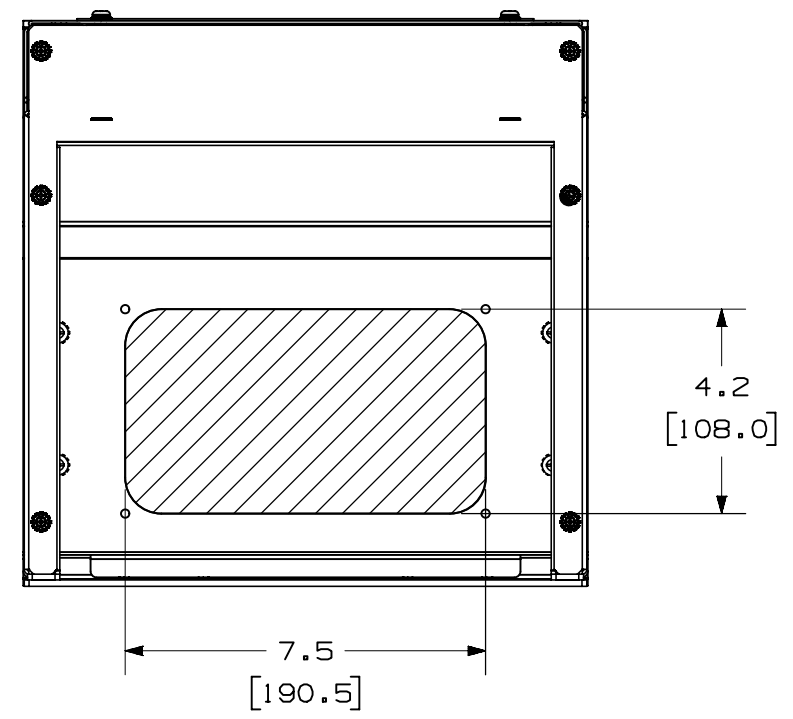
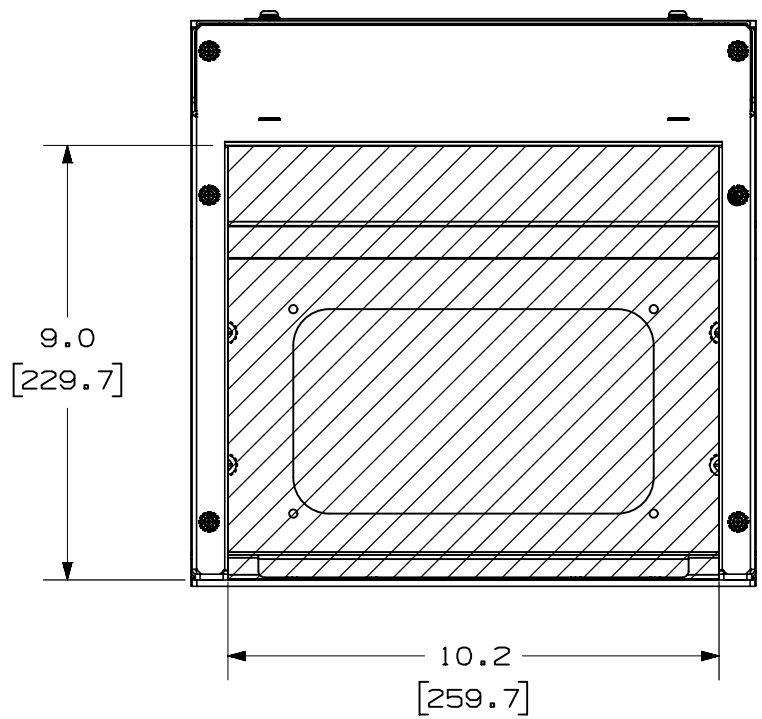
2

1

THIS COPY IS PROVIDED ON A RESTRICTED BASIS AND IS NOT TO BE USED IN ANY WAY DETRIMENTAL TO THE INTERESTS OF PANDUIT CORP.

OVERHEAD INCOMING CABLE OPENING

UNDER FLOOR INCOMING CABLE OPENING



PART NUMBER		SEE TABLE ON SHEET 1		
TITLE		FDFVCM3045** - 300mm VERTICAL MANAGER ASSEMBLY		
		CUSTOMER DRAWING		
ITEM REVISION NAME		00676EBC/04		
DATASET FILE NAME		00676EBC_DC-R04A		
MATERIAL		N/A		
DRAWING NUMBER		00676EBC-DC		
DRAWN BY		DATE	CHK	SCALE
SAT		01-26-22	ACBR	NONE
SHEET 1 OF 1		A		

A-SIZE CUSTOMER

04A	01-26-22	SAT	ACBR	GB-SJMO	SEE SHEET 1 FOR REVISION HISTORY	00676EBC-DC
REV	DATE	BY	CHK	APR	DESCRIPTION	ECN

2

1