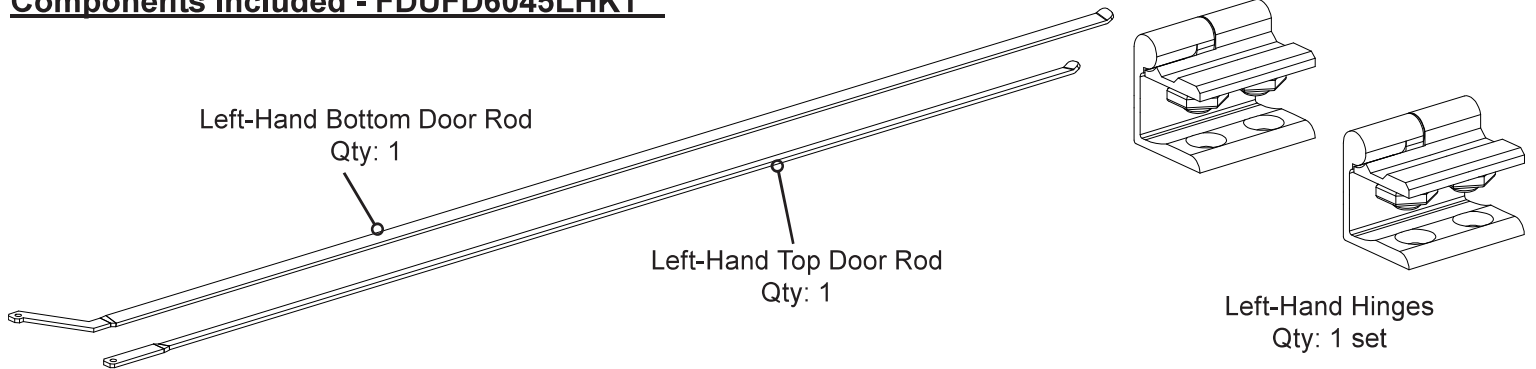
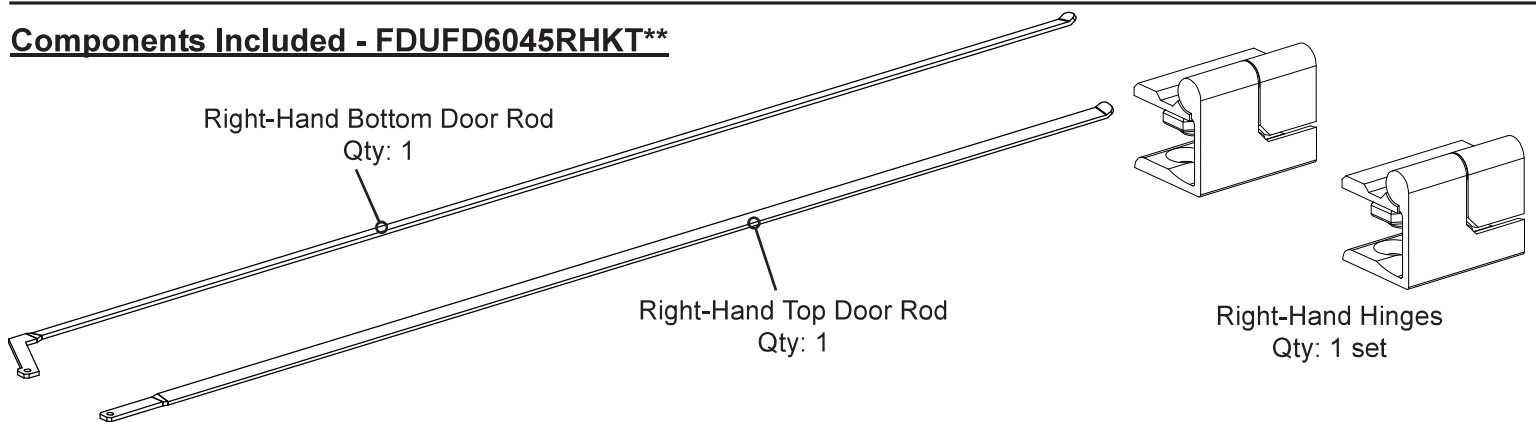


Components Included - FDUFD6045LHKT**



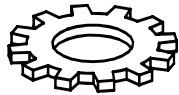
Components Included - FDUFD6045RHKT**



Hardware Included (quantities per part number)



#12-24 x 1/2
Flat Head screw
Qty: 4



#12 Tooth Lockwasher
Qty: 4



M10 Tight-Grip Toothwasher
Qty: 4

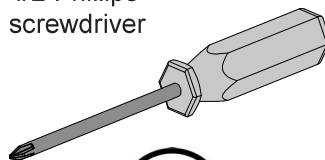


M3 x .5 x 6mm
Pan Head screw
Qty: 2

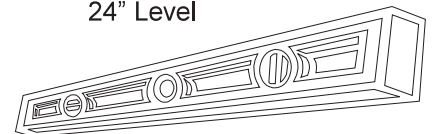
Tool List

- 10mm Socket Wrench
- 17mm Socket Wrench
- 5\16 Socket Wrench

#2 Phillips
screwdriver



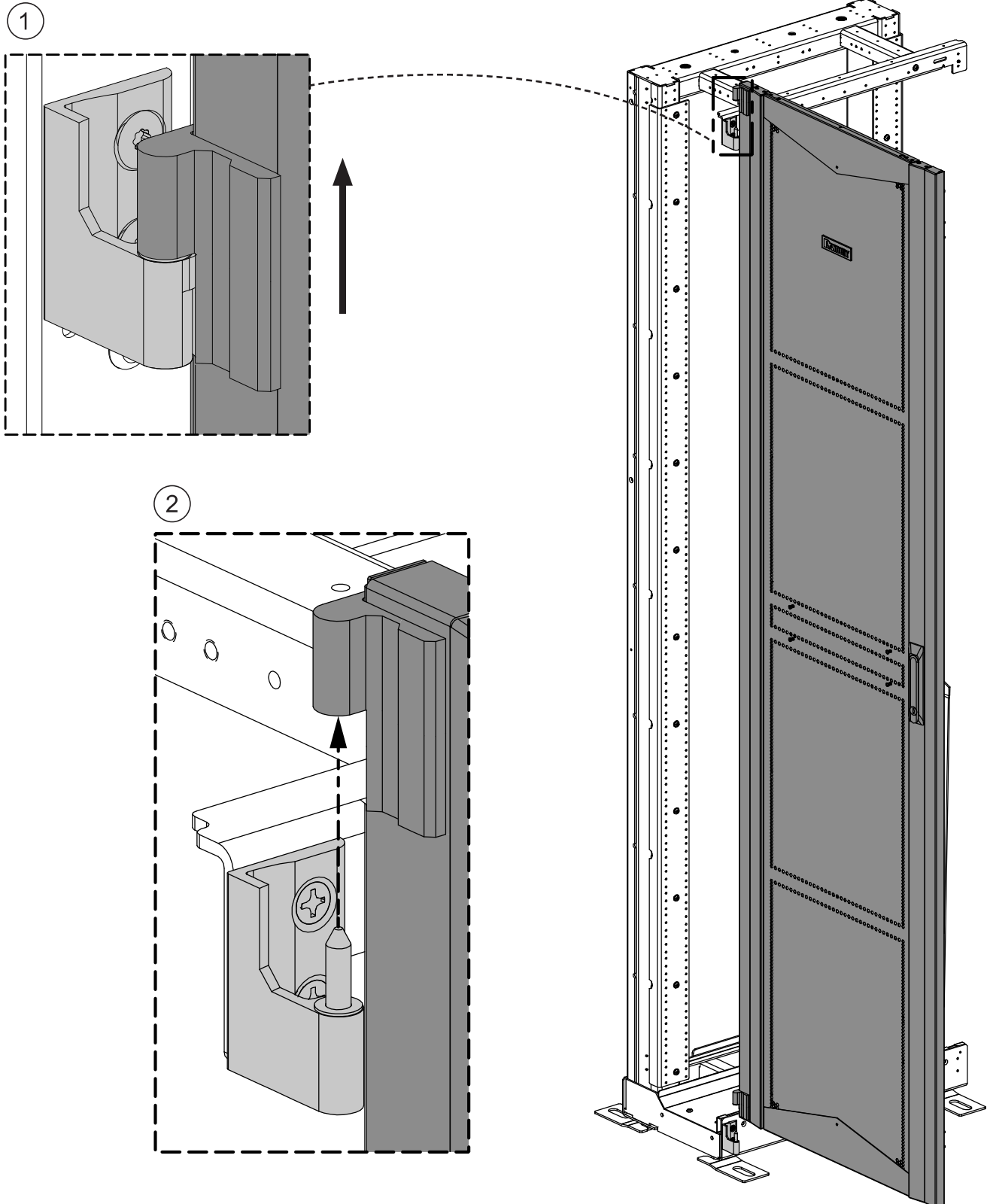
24" Level



Remove existing Door from the Hinges

- Position Door at approximately 90° to Frame.
- Remove Door from the hinges by lifting up and off.

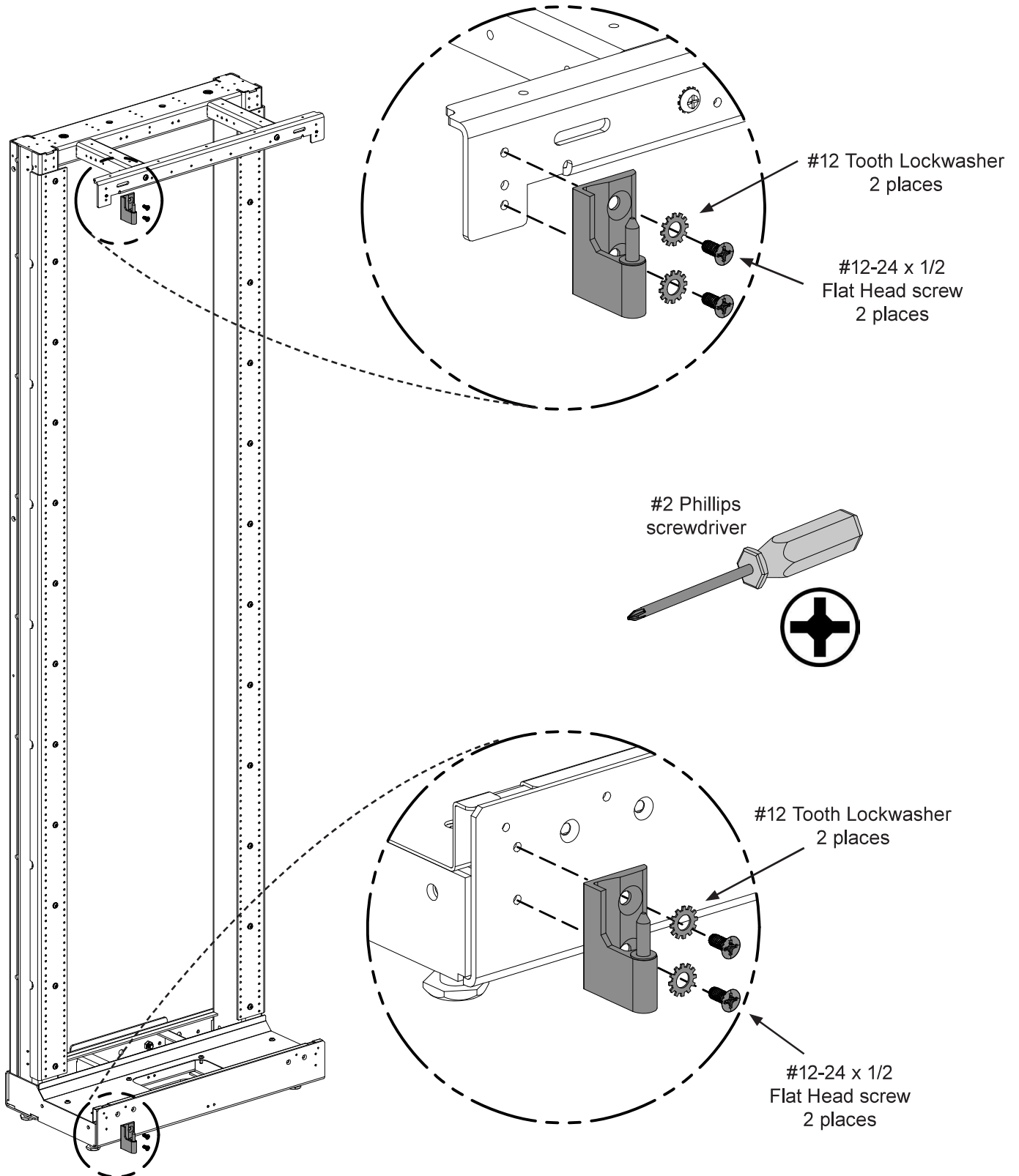
**Showing conversion of Left-Hinged Door to Right-Hinged Door*



Remove Male Side of Door Hinges from the Frame

- Remove Male portion of hinges by unscrewing (2) #12-24 x 1/2 screws from each hinge.

**Showing conversion of Left-Hinged Door to Right-Hinged Door*





DANGER

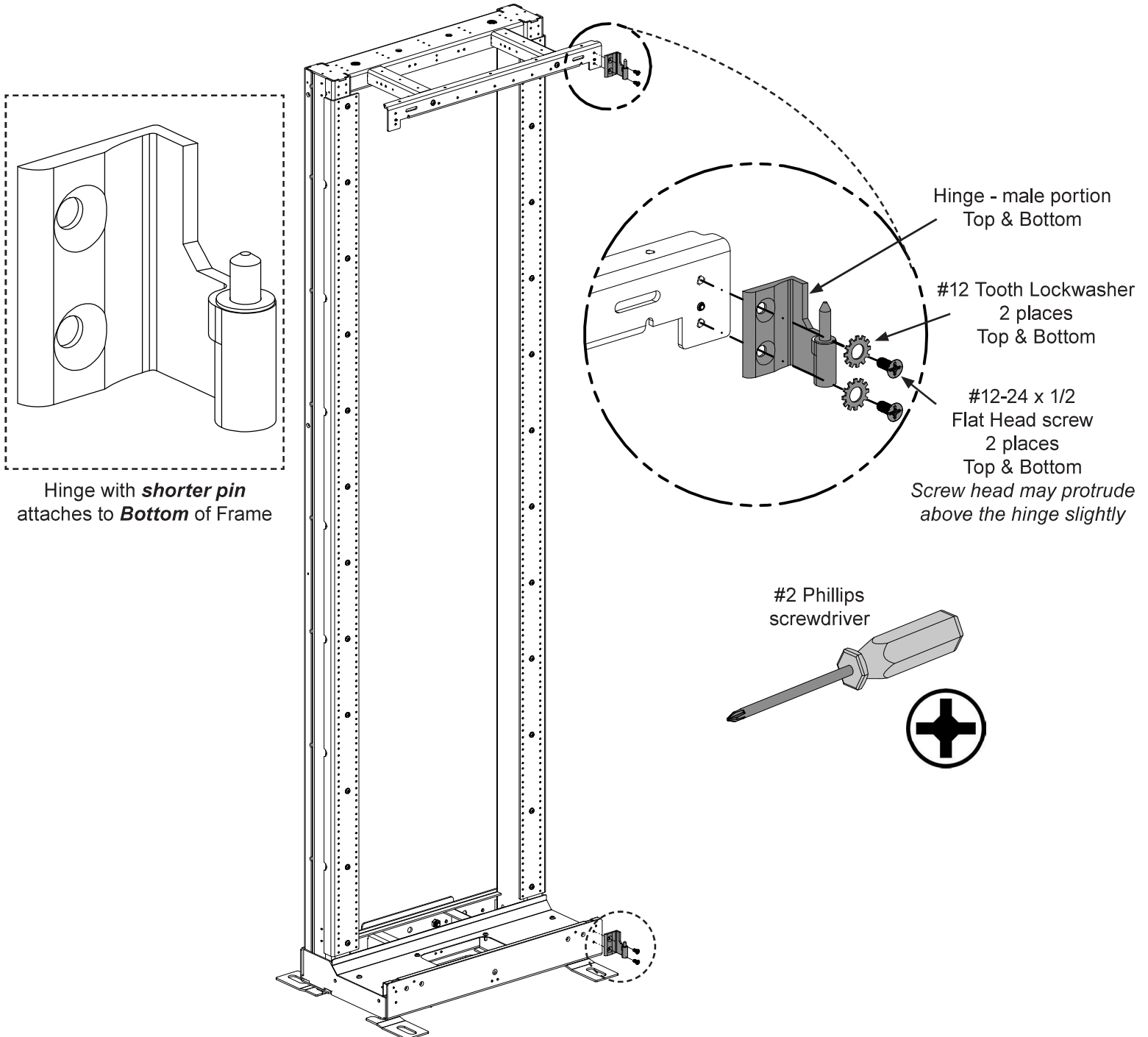
Electrical Shock Hazard

Each Door must be connected to the Common Bonding Network (CBN).

FAILURE TO FOLLOW THESE INSTRUCTIONS CAN LEAD TO SERIOUS INJURY, DEATH, OR DAMAGE TO YOUR EQUIPMENT.

Install Male Side of opposite Door Hinges onto the Frame

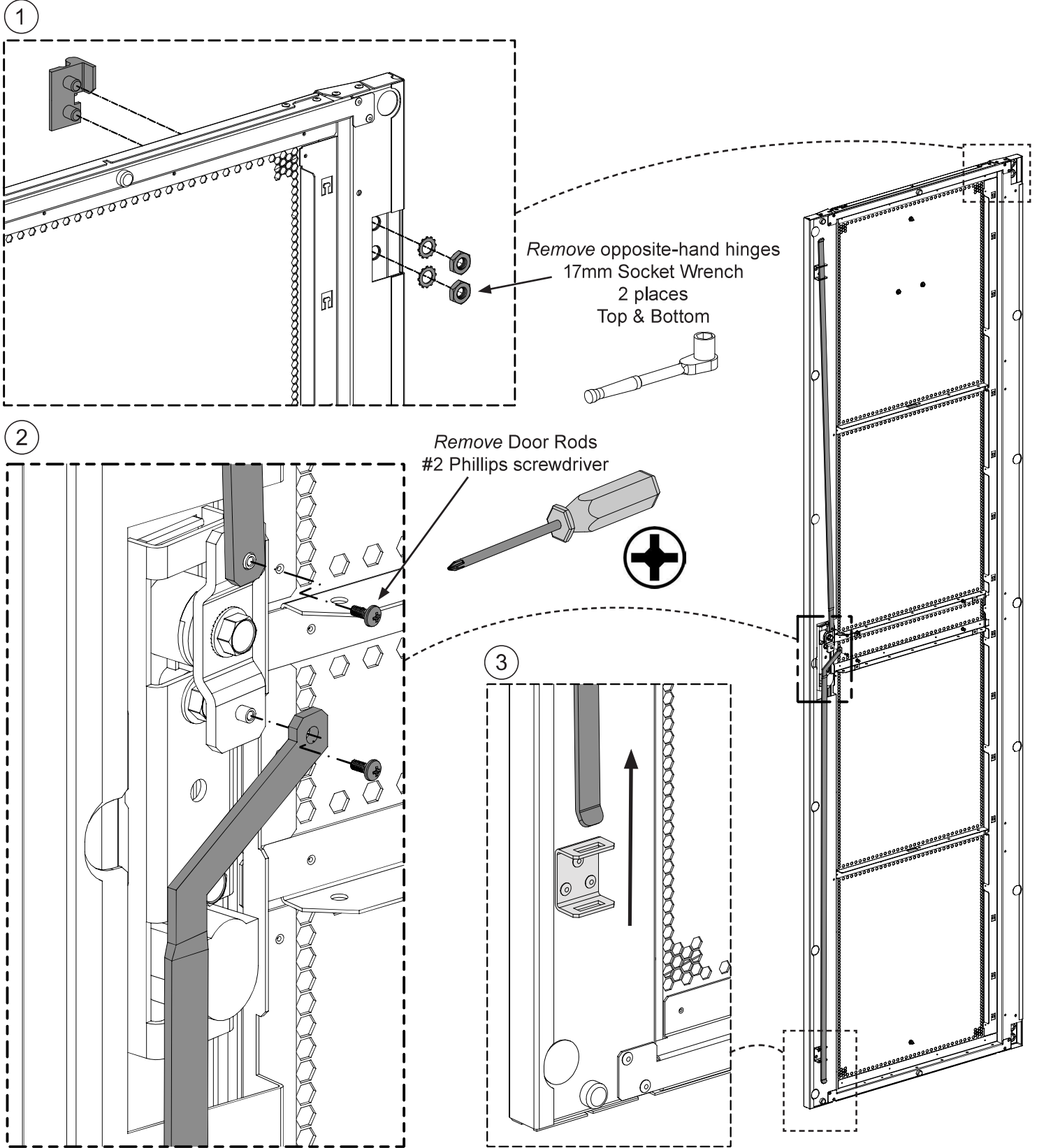
- Install Male portion of the new opposite side hinges using new hardware provided in kit
**Showing conversion of Left-Hinged Door to Right-Hinged Door*



Modify Swing of Door

- Remove the opposite-hand hinges from the Door
- Remove the swing handle screws that attach the Door Rods and remove Door Rods

**Showing conversion of Left-Hinged Door to Right-Hinged Door*

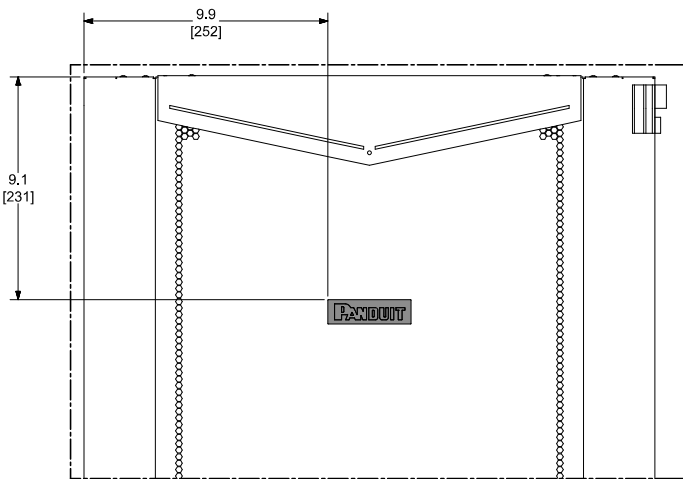
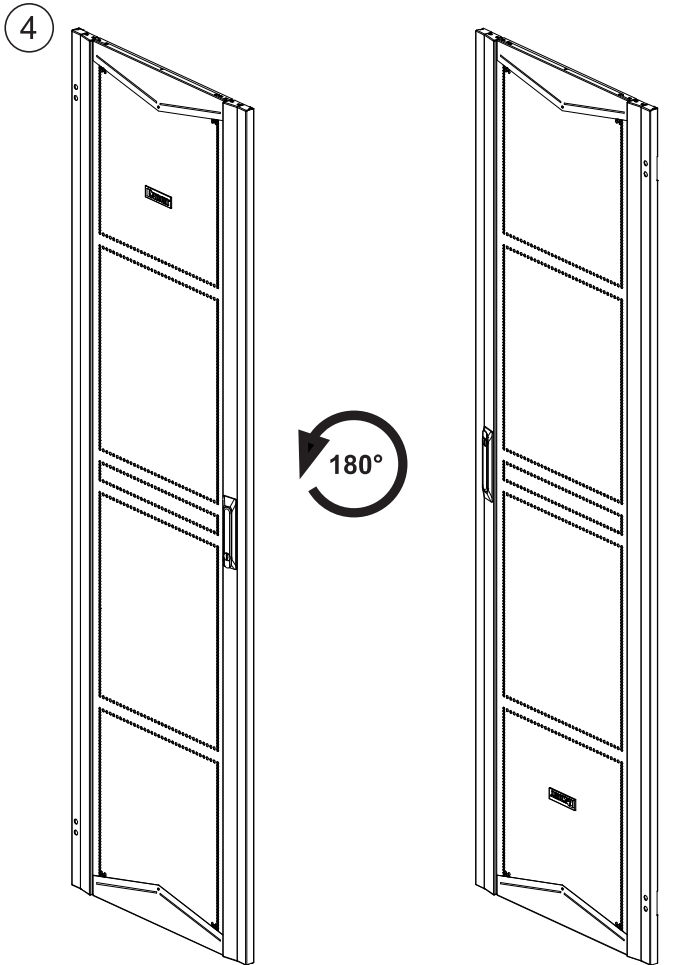


For Technical Support: www.panduit.com/resources/install_maintain.asp

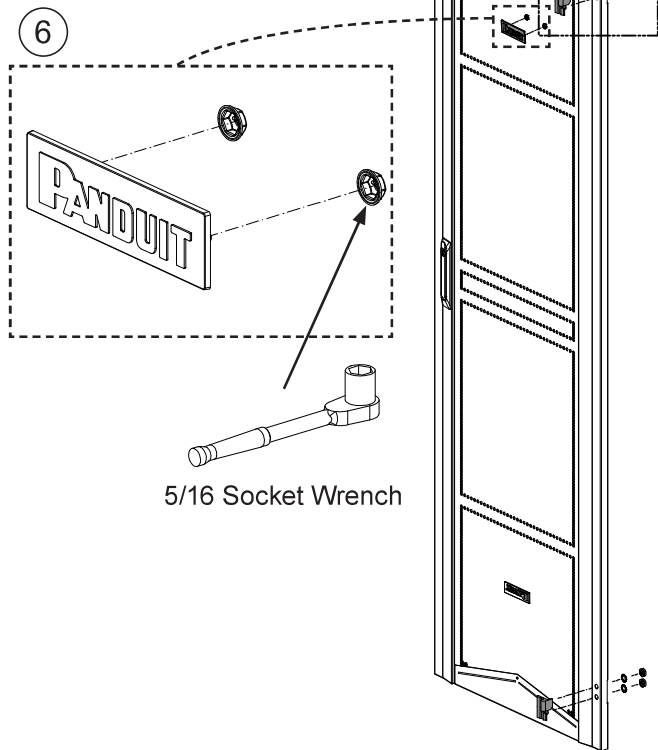
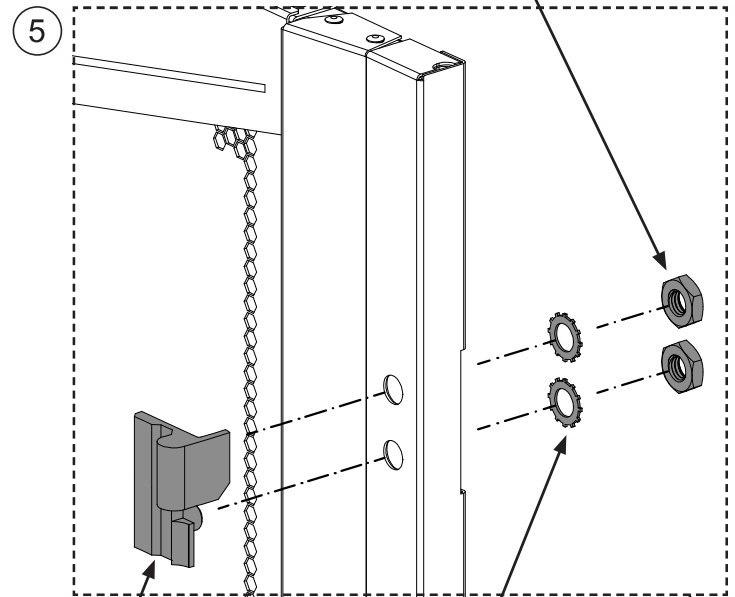
Modify Swing of Door continued

- Flip the Door 180°.
- Install Female portion of the new opposite side hinges using new hardware provided in kit
- Remove Panduit Namplate and relocate to top of Door again.

***Showing conversion of Left-Hinged Door to Right-Hinged Door**

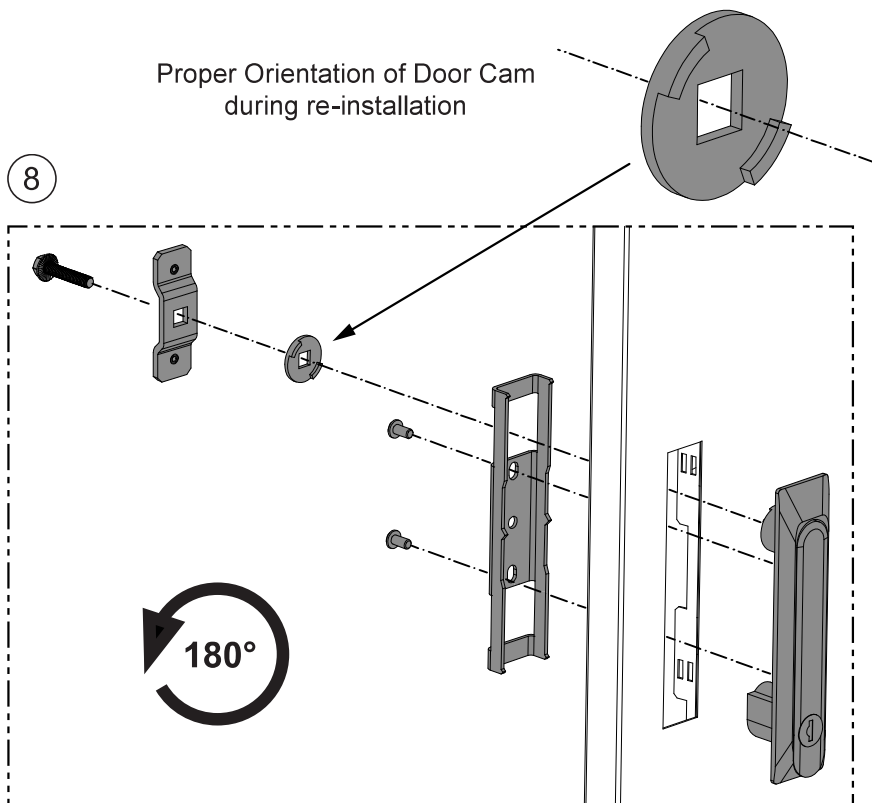
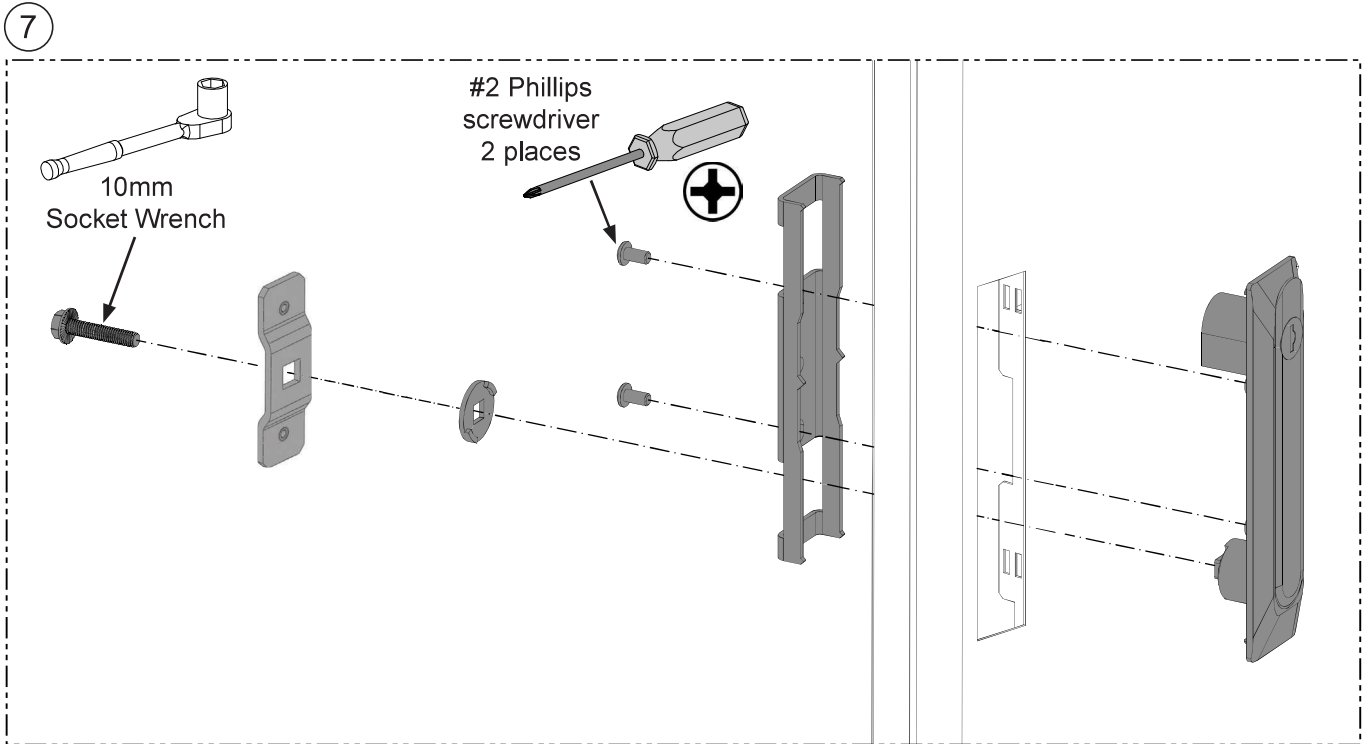


PANDUIT NAMEPLATE LOCATION



Modify Swing of Door continued

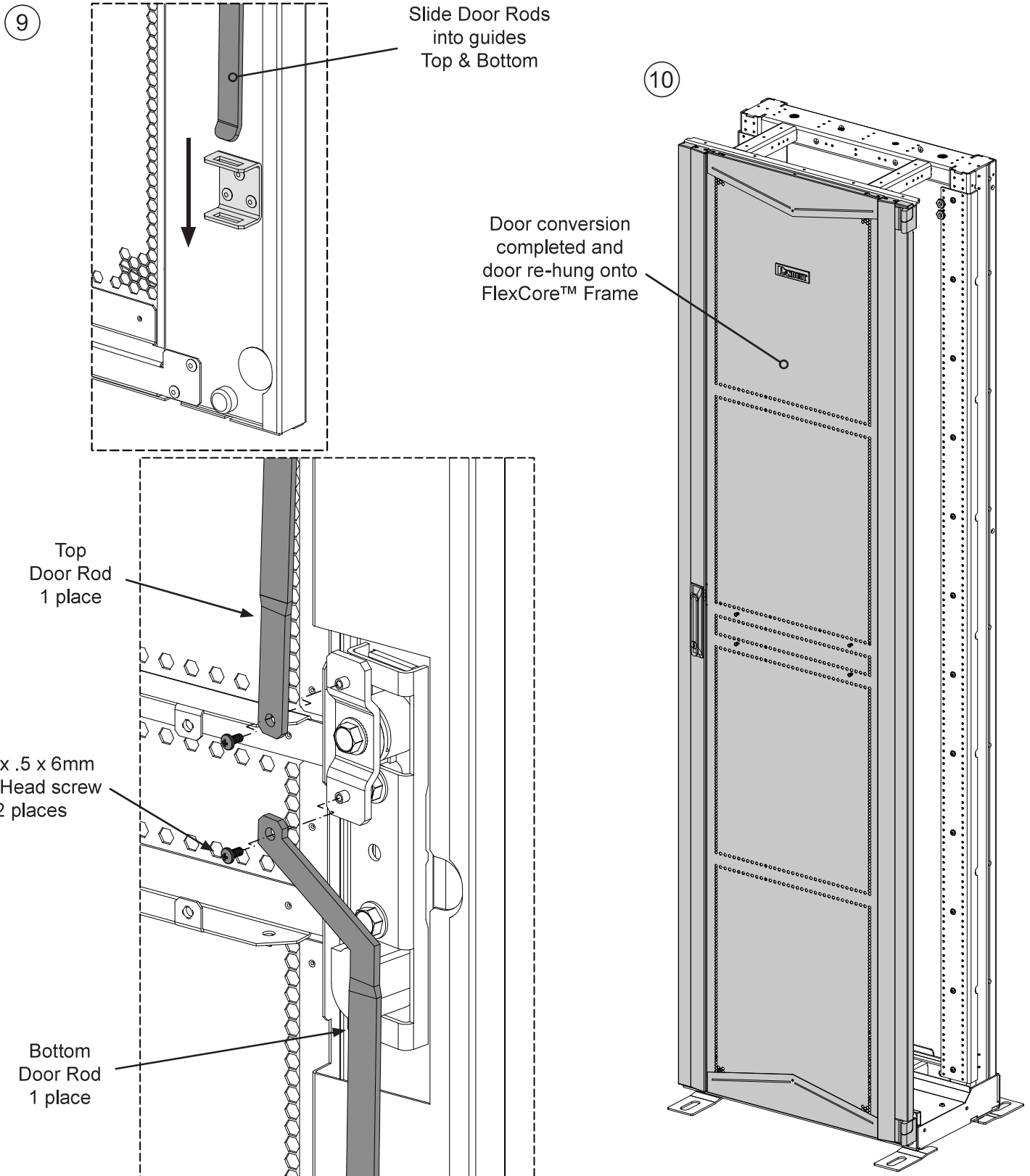
- Remove and flip the Door Swing Handle 180°.
 - Re-install the Door Swing Handle, making sure the Door Cam is oriented as shown.
- *Showing conversion of Left-Hinged Door to Right-Hinged Door**



Modify Swing of Door continued

- Install the new Door Rods using hardware provided in kit.
- Re-install Door onto Frame.

**Showing conversion of Left-Hinged Door to Right-Hinged Door*



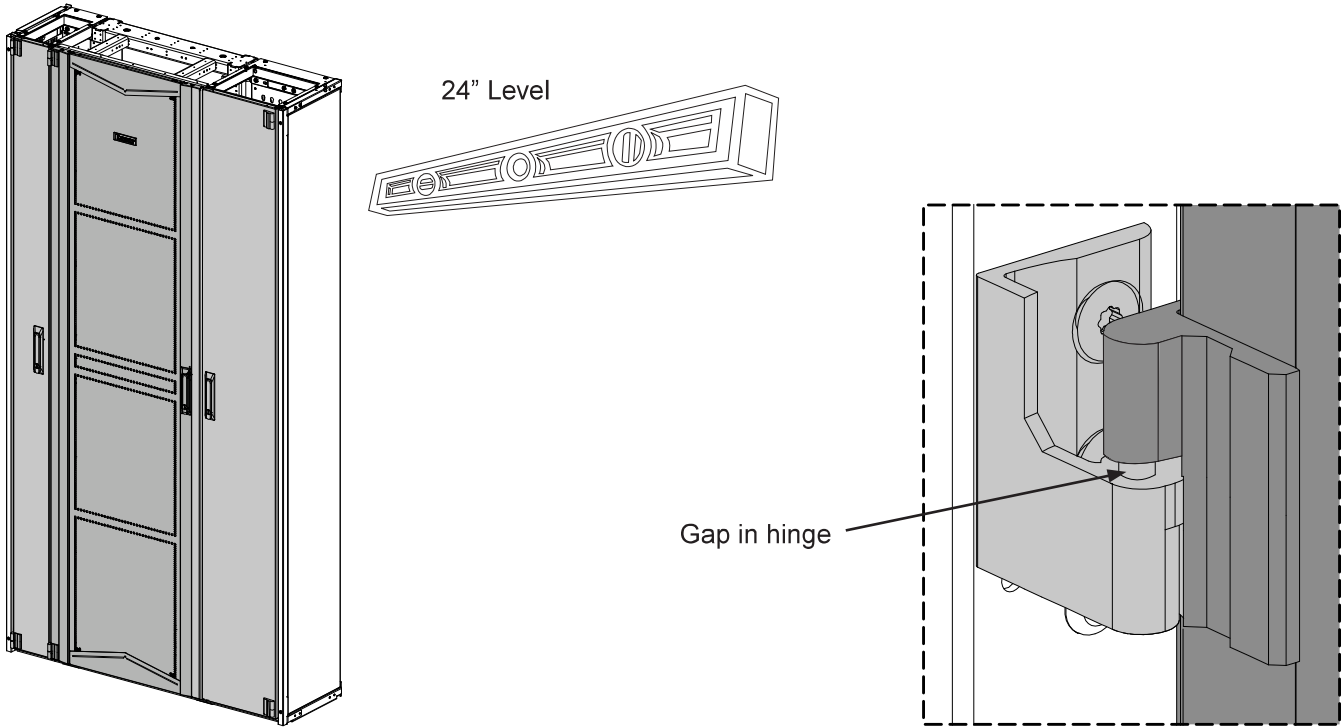
For Technical Support: www.panduit.com/resources/install_maintain.asp

Door Adjustments

- Doors may need to be adjusted for level across one or multiple doors and/or to adjust gaps in the hinges

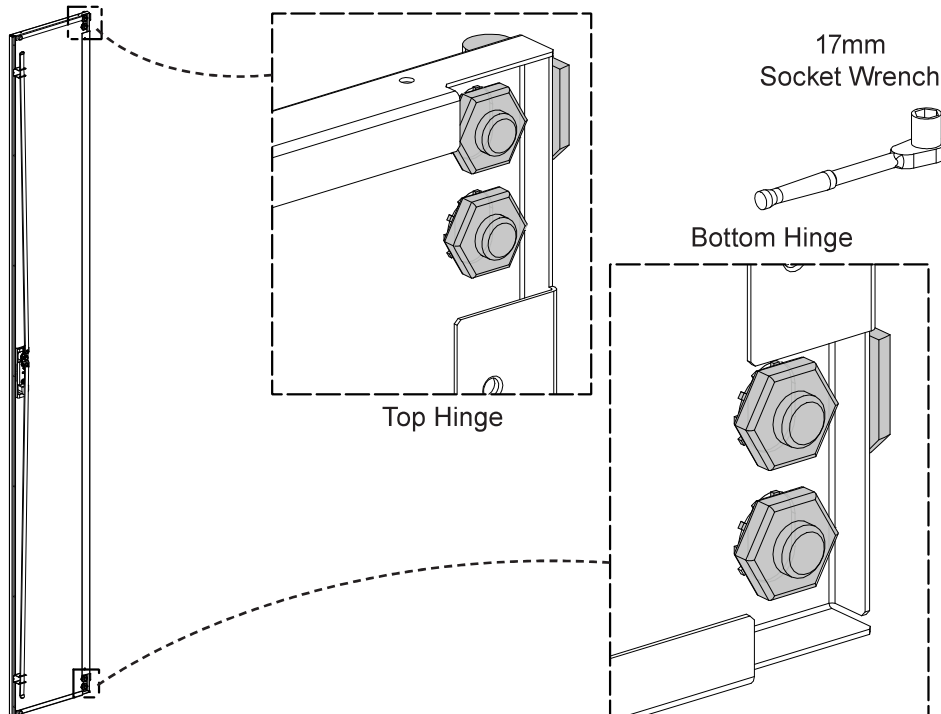
Check doors for squareness and/or gap adjustment

- Visually or with a level, check the doors for any adjustments that may need to be made.
- Visually check hinges for any gaps



Door squareness and/or gap adjustment

- Loosen the hinge nuts on bottom hinge to allow door to settle
- If necessary, loosen the hinge nuts on top hinge and pull down to close any remaining gaps



FlexCore™ System Installation Instructions

Installation Instruction Number	Panduit Part Number	Description
FS190	FDFF45**	FlexCore™ Optical Distribution Frame
FS191	FDFVCM1545**	FlexCore™ 150mm Vertical Cable Manager
FS192	FDFVCM3045**	FlexCore™ 300mm Vertical Cable Manager
FS193	FDUFD**45*X**	FlexCore™ Single Hinge Front Doors
FS194	FDFEP45**	FlexCore™ End Panels
FS198	FDUSP	FlexCore™ Fiber Spool
FS199	FDUSP6	FlexCore™ Fiber Spool 6-pack Color Coordinated Kit
FS200	FDS**-24-***	FlexCore™ Fusion Splice Cassette - Cable to LC Adapter
FS201	FDSN-24	FlexCore™ Fusion Splice Cassette - Cable to Cable
FS203	FDFUE4**	FlexCore™ 4RU Universal Enclosure
FS204	N/A	FlexCore™ Front Access Optical Distribution Frame Patchcord Routing Guide
FS205	FDFRC45**	FlexCore™ Frame Rear Panel
FS206	N/A	FlexCore™ Front Access Ingress/Egress Cabling Guide

For Instructions in Local Languages
and Technical Support:

www.panduit.com/resources/install_maintain.asp

PANDUIT

www.panduit.com

E-mail:
techsupport@panduit.com

Phone:
866-405-6654