



Enclosed  
changeover  
switch  
GLZM

Product designation

Product type designation

Number of poles

Operating voltage type

Nr. 4  
AC

**Contact characteristics**

IEC Conventional free air thermal current I<sub>th</sub> A 160

Rated insulation voltage U<sub>i</sub> IEC/EN V 1000

Rated impulse withstand voltage U<sub>imp</sub> kV 12

Operating current I<sub>e</sub>

AC21A

400V A 160  
500V A 160  
690V A 160

AC22A

400V A 160  
500V A 160  
690V A 160

AC23A

400V A 160  
500V A 160  
690V A 160

Power dissipation per pole max W 3.2

Rated operational power AC23A

400V kW 90  
690V kW 134

Conditional short-circuit current (rms) kA 100

Short-circuit protection with fuse Class/A gG/160

Making capacity AC23A 400V A 1600

Breaking capacity AC23A 400V A 1280

Mechanical life cycles 10000

**Mechanical features**

Operating position

normal  
allowable Vertical plan  
Any

Terminals

type M8 x 25

Tightening torque for terminals

min Nm 15  
max Nm 22  
min lbin 132  
max lbin 194

Conductor section

IEC min mm<sup>2</sup> 70

|               |                 |     |
|---------------|-----------------|-----|
| IEC max       | mm <sup>2</sup> | 185 |
| AWG/kcmil min |                 | 00  |
| AWG/kcmil max |                 | 400 |

**Ambient conditions**

Operating temperature

|     |    |     |
|-----|----|-----|
| min | °C | -25 |
| max | °C | +55 |

Storage temperature

|     |    |     |
|-----|----|-----|
| min | °C | -40 |
| max | °C | +70 |

Max altitude

|   |      |
|---|------|
| m | 3000 |
|---|------|

**Resistance & Protection**

Frontal IP degree

IP65

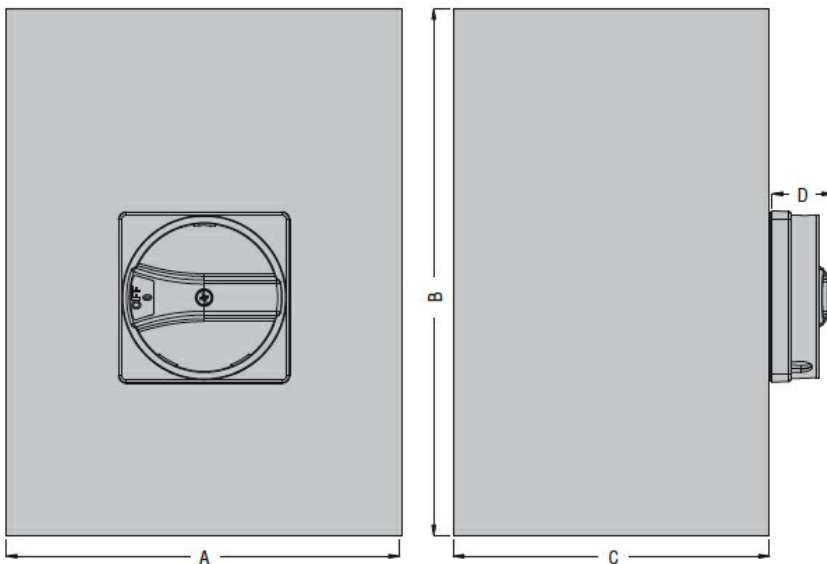
IP degree of protection

IP65

Pollution degree

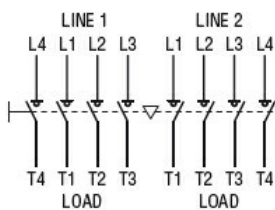
3

**Dimensions**



| Type                       | A            | B            | C           | D            |
|----------------------------|--------------|--------------|-------------|--------------|
| GLZM0160 E...GLZM0315 E... | 300 (11.81") | 400 (15.75") | 250 (9.84") | 45,7 (1.80") |

**Wiring diagrams**



**Certifications and compliance**

Compliance

IEC/EN 60947-1  
IEC/EN 60947-6-1

**ETIM classification**

ETIM 8.0

EC000216 -  
Switch  
disconnecter