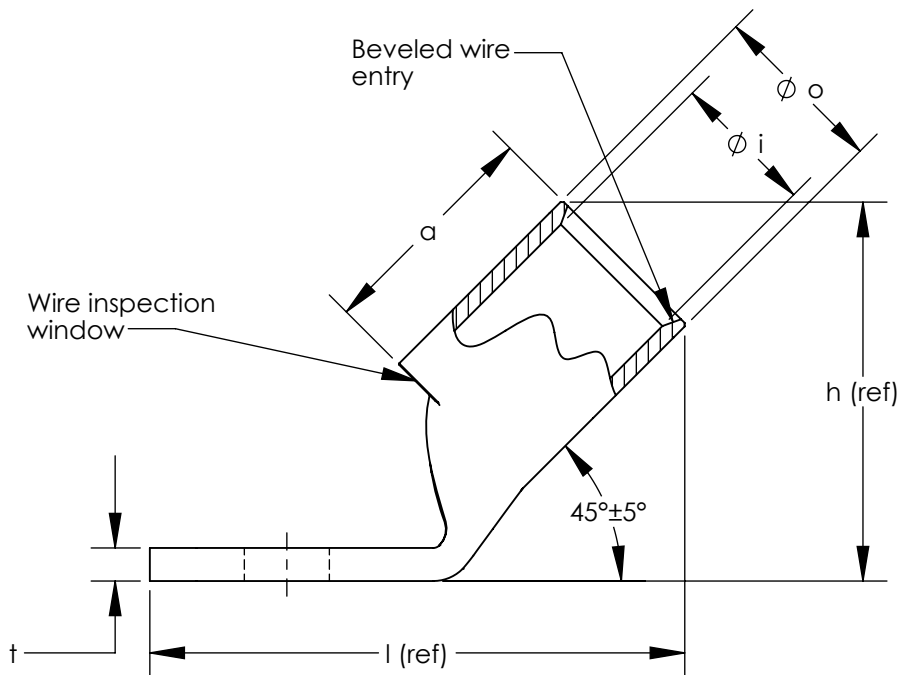
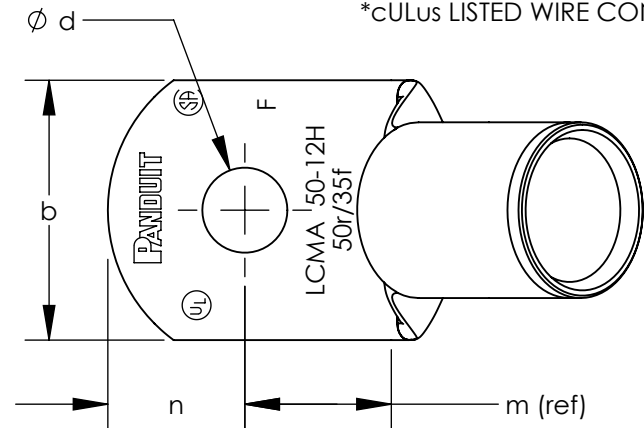


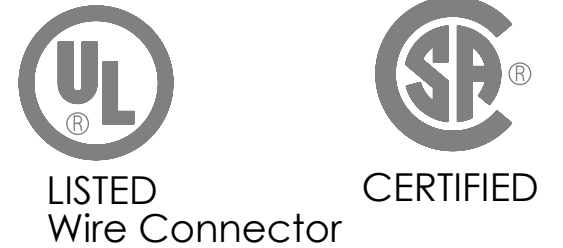
ALL DIMENSIONS ARE IN mm

Part Number	Class 2r Wire Size	Class 5f & 6f Wire Size	Stud Size	Wire Strip Length	Panduit Die Index No. For Class 2r Wire Circumferential Dies	Panduit Die Index No. For Class 5f & 6f Wire Circumferential Dies	Panduit Die Index No. For Class 5f & 6f Wire Nest/Indenter Dies	l (ref)	h (ref)	o ±.50	i ±.50	a ±2.25	m (ref)	n ±2.25	d ±.50	b ±2.25	t
LCMA35-6H-C	35mm ²	25mm ²	M6	19.0	P29	P29	P42/2	36.7	24.2	10.40	8.20	17.5	12.3	8.5	6.60	15.5	2.05 ± .40
LCMA35-8H-C	35mm ²	25mm ²	M8	19.0	P29	P29	P42/2	36.7	24.2	10.40	8.20	17.5	12.3	8.5	9.00	15.5	2.05 ± .40
LCMA35-10H-C	35mm ²	25mm ²	M10	19.0	P29	P29	P42/2	36.7	24.2	10.40	8.20	17.5	12.3	8.5	11.00	15.5	2.05 ± .40
LCMA35-12H-C	35mm ²	25mm ²	M12	19.0	P29	P29	P42/2	42.1	24.6	10.40	8.20	17.5	14.5	11.5	14.00	21.5	1.50 ± .40
LCMA50-6H-L	50mm ²	35mm ²	M6	21.8	P37	P33	P50/2	40.1	28.2	12.30	9.80	20.3	11.5	10.0	6.60	18.0	2.50 ± .40
LCMA50-8H-L	50mm ²	35mm ²	M8	21.8	P37	P33	P50/2	40.1	28.2	12.30	9.80	20.3	11.5	10.0	9.00	18.0	2.50 ± .40
LCMA50-10H-L	50mm ²	35mm ²	M10	21.8	P37	P33	P50/2	40.1	28.2	12.30	9.80	20.3	11.5	10.0	11.00	18.0	2.50 ± .40
LCMA50-12H-L	50mm ²	35mm ²	M12	21.8	P37	P33	P50/2	43.1	28.0	12.30	9.80	20.3	14.0	11.0	14.00	23.0	1.80 ± .40
LCMA70-6H-L	70mm ²	50mm ²	M6	24.8	P45	P37	P50/2	46.8	31.5	14.20	11.50	23.3	14.5	11.5	6.60	20.8	2.85 ± .40
LCMA70-8H-L	70mm ²	50mm ²	M8	24.8	P45	P37	P50/2	46.8	31.5	14.20	11.50	23.3	14.5	11.5	9.00	20.8	2.85 ± .40
LCMA70-10H-L	70mm ²	50mm ²	M10	24.8	P45	P37	P50/2	46.8	31.5	14.20	11.50	23.3	14.5	11.5	11.00	20.8	2.85 ± .40
LCMA70-12H-L	70mm ²	50mm ²	M12	24.8	P45	P37	P50/2	46.7	31.5	14.20	11.50	23.3	14.5	11.5	14.00	20.8	2.80 ± .40
*LCMA95-6H-L	95mm ²	70mm ²	M6	26.0	P54	P45	P62/4	52.6	36.3	16.50	13.50	24.5	15.0	13.5	6.60	24.5	3.05 ± .40
LCMA95-8H-L	95mm ²	70mm ²	M8	26.0	P54	P45	P62/4	52.6	36.3	16.50	13.50	24.5	15.0	13.5	9.00	24.5	3.05 ± .40
LCMA95-10H-L	95mm ²	70mm ²	M10	26.0	P54	P45	P62/4	52.6	36.3	16.50	13.50	24.5	15.0	13.5	11.00	24.5	3.05 ± .40
LCMA95-12H-L	95mm ²	70mm ²	M12	26.0	P54	P45	P62/4	52.6	36.3	16.50	13.50	24.5	15.0	13.5	14.00	24.5	3.00 ± .40
LCMA95-16H-L	95mm ²	70mm ²	M16	26.0	P54	P45	P62/4	52.5	36.3	16.50	13.50	24.5	15.0	13.5	18.00	24.5	2.90 ± .40
LCMA120-8H-L	120mm ²	95mm ²	M8	26.0	P62	P50	P76/4	56.6	40.1	18.60	15.20	24.5	15.5	14.5	9.00	27.5	3.50 ± .45
LCMA120-10H-L	120mm ²	95mm ²	M10	26.0	P62	P50	P76/4	56.6	40.1	18.60	15.20	24.5	15.5	14.5	11.00	27.5	3.50 ± .45
LCMA120-12H-L	120mm ²	95mm ²	M12	26.0	P62	P50	P76/4	56.6	40.1	18.60	15.20	24.5	15.5	14.5	14.00	27.5	3.50 ± .45
LCMA120-16H-L	120mm ²	95mm ²	M16	26.0	P62	P50	P76/4	56.6	40.1	18.60	15.20	24.5	15.5	14.5	18.00	27.5	3.40 ± .45
LCMA150-8H-X	150mm ²	120mm ²	M8	29.0	P66	----	P76/4	64.7	44.1	21.00	16.50	27.5	18.0	16.5	9.00	30.5	4.45 ± .45
LCMA150-10H-X	150mm ²	120mm ²	M10	29.0	P66	----	P76/4	64.7	44.1	21.00	16.50	27.5	18.0	16.5	11.00	30.5	4.45 ± .45
LCMA150-12H-X	150mm ²	120mm ²	M12	29.0	P66	----	P76/4	64.7	44.1	21.00	16.50	27.5	18.0	16.5	14.00	30.5	4.45 ± .45
LCMA150-16H-X	150mm ²	120mm ²	M16	29.0	P66	----	P76/4	64.6	44.1	21.00	16.50	27.5	18.0	16.5	18.00	30.5	4.30 ± .45
LCMA150-20H-X	150mm ²	120mm ²	M20	29.0	P66	----	P76/4	68.3	43.7	21.00	16.50	27.5	22.0	16.5	22.00	30.5	4.30 ± .45

*cULus LISTED WIRE CONNECTOR



- NOTES:
1. Material: High conductivity seamless copper tube.
 2. Plating: Parts are annealed and tin plated.
 3. Wire Type: Class 2r, 5f & 6f Stranded Copper per DIN VDE 0295, IEC 60228 and HD 383.
 4. UL Listed Wire Connector: Yes, for applications up to 35kv. Consult cable manufacturer for voltage stress relief instructions with applications greater than 2000 volts.
 5. UL Temperature Rating: 90 ° C
 6. C.S.A. Certified Wire Connector: Yes
 7. Parts are CE and tested per EN 61238-1:2003/IEC 61238-1:2003 Class B, with Class 2r wire 35mm² - 150mm².



REV	DATE	BY	CHK	APR	DESCRIPTION	ECN
01	7/15	JHNU	TLCO	RGB	ADDED LCMA95-6H-L	11J033BK-JC
00	10/13	JHNU	TLCO	RGB	DRAWING RELEASED	11J033BK-JC

TITLE METRIC LUGS - LCMA ONE HOLE SERIES 35-150mm² 45° BENT STANDARD BARREL CUSTOMER DRAWING			
ITEM REVISION NAME 11J033BK/01		PANDUIT	
DATASET FILE NAME 11J033BK-JC/01.SLDDRW			
UNLESS OTHERWISE SPECIFIED, DIMENSIONAL TOLERANCES ARE: IN [mm]			
.X ± .XXX ± .XX ± ANGLES ±		MATERIAL SEE NOTES	
DRAWN BY JHNU		DRAWING NUMBER 11J033BK-JC	
DATE 10/13		THIRD ANGLE PROJECTION	
CHK TLCO		SCALE NONE	
SHEET 1 OF 1		SIZE B	