

Part number

# MZP 15 LSP20



Surface mounting housing, IL-BRID series, with 1 lever, M20 cable entry, size "49.16", with SIMPLEX self-closing cover

Product description	
<b>Product type</b>	Surface mounting housing
<b>Series</b>	IL-BRID
<b>Closing type</b>	With 1 lever
<b>Size</b>	Size 49.16
<b>Cable entry</b>	With cable entry M20
<b>Specification</b>	With SIMPLEX self-closing cover
Technical data	
<b>IP degree of protection</b>	IP65
Further technical details	
<b>Weight</b>	252,00 g
<b>Operating temperature range (min, max)</b>	-40°C...+125°C

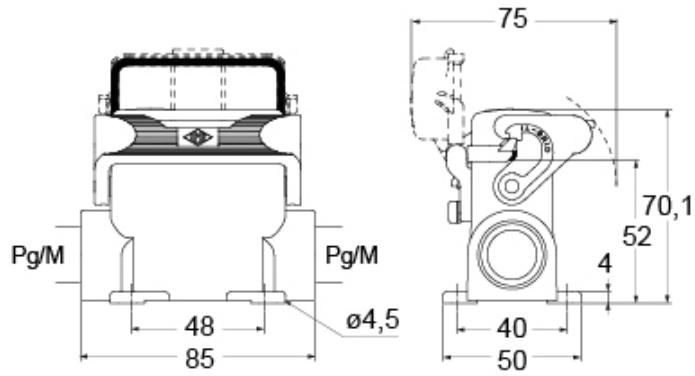
Material properties	
<b>Other materials</b>	Lever: Polyamide (PA) and Stainless steel core
<b>Colour</b>	RAL 7040 grey
<b>RoHs conformity</b>	Compliant
<b>China RoHs - EFUP</b>	E
<b>REACH SVHC substances</b>	No
Approvals / Standards	
<b>UL</b>	ECBT2
<b>cUL</b>	ECBT8
General ordering information	
<b>EAN13 code</b>	8015747267519
<b>eCl@ss 8.1</b>	27440202
<b>ETIM 7.0</b>	EC000437
Packaging Information	
<b>Packaging length</b>	350,00 mm
<b>Packaging height</b>	105,00 mm
<b>Packaging width</b>	145,00 mm
<b>Packaging weight</b>	2,53 kg
<b>Packaging volume</b>	5,33 dm <sup>3</sup>
<b>Packaging description</b>	Carton box
<b>Packaging quantity</b>	10 Pcs
<b>Packaging EAN code</b>	8015747268189
<b>Sub-packaging weight</b>	1,27 kg
<b>Sub-packaging description</b>	Plastic packaging
<b>Sub-packaging quantity</b>	5 Pcs
<b>Sub-packaging EAN barcode</b>	8015747268196

Part number

# MZP 15 LSP20



## Catalogue drawings



---

## Notes

Dimensions shown in mm are not binding and may be changed without notice.

---