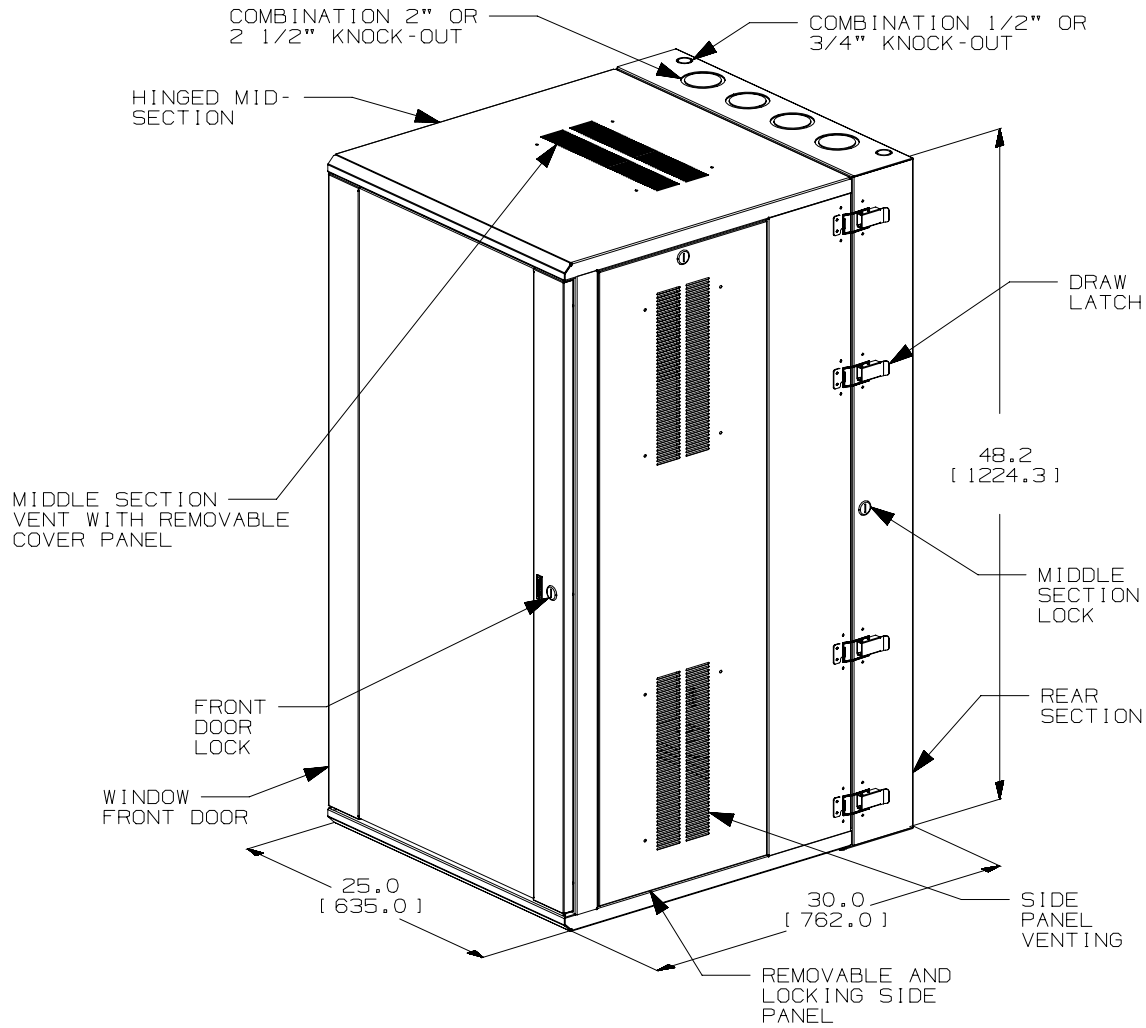


THIS COPY IS PROVIDED ON A RESTRICTED BASIS AND IS NOT TO BE USED IN ANY WAY DETRIMENTAL TO THE INTERESTS OF PANDUIT CORP.




| PANDUIT PART NO. | COLOR | WEIGHT |
|------------------|-------|--------------|
| PZWMC2630W | BLACK | 177 LBS/EACH |
| PZWMC2630WH | WHITE | 80.3 kg/EACH |

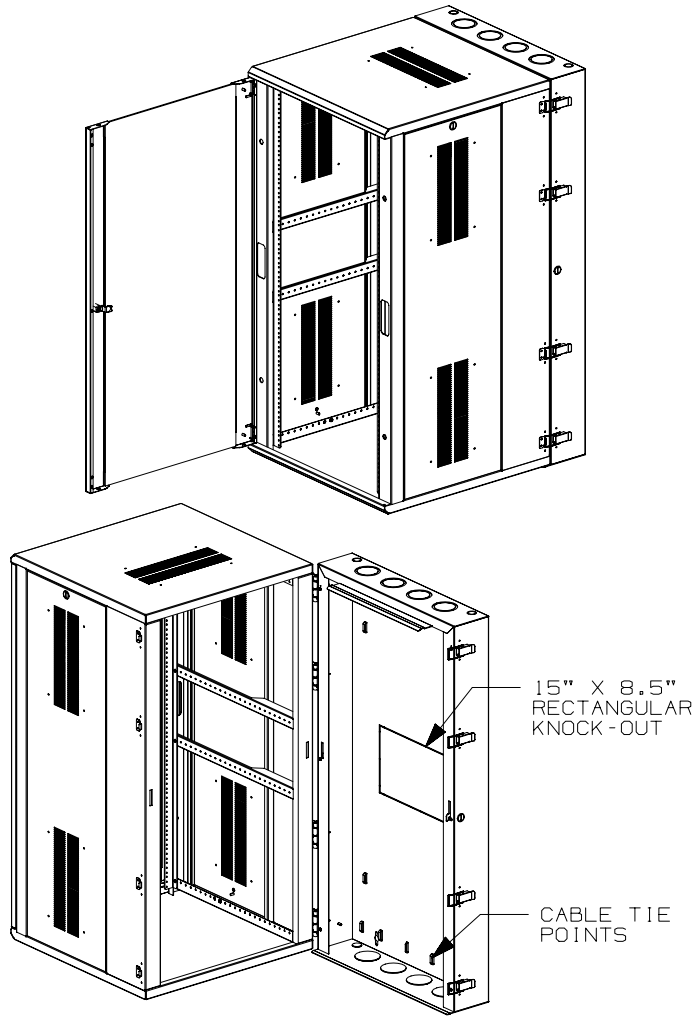
NOTES:

- VISIT OUR ON-LINE CATALOG AT WWW.PANDUIT.COM FOR A LIST OF CURRENT PARTS APPLICABLE FOR USE WITH THIS PRODUCT.
- DIMENSIONS IN PARENTHESES ARE METRIC (mm).
- CAN BE USED WITH ANY 19" EIA STANDARD COMPONENT UP TO 25" DEEP WITH ROOM FOR PATCH CORDS OR 26.8" DEEP WITH THE RAILS IN FORWARD MOST POSITION.
- 26 AVAILBLE RACK SPACES.
- VERTICAL EQUIPMENT MOUNTING ANGLES ARE ADJUSTABLE FRONT TO REAR OF CABINET IN .9" INCREMENTS.
- LOAD CAPACITY, 350-LBS.
- INSTALLS IN EITHER A HINGED RIGHT OR HINGED LEFT APPLICATION.
- FRONT ACCESS THROUGH DOOR; REAR ACCESS THROUGH HINGED MID-SECTION.
- PARTS SUPPLIED: (12) - #12-24 SCREWS
 (1) - ROLL OF TAK-TY
 (3) - SETS OF KEYS
 (1) - SPARE DOOR HINGE SPACER

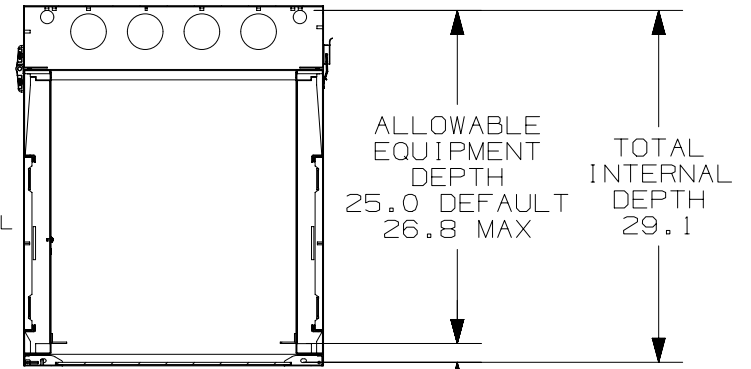
| REV | DATE | BY | CHK | APR | DESCRIPTION | ECN |
|-----|---------|-----|-----|------|----------------------------|-------------|
| 00B | 8-12-19 | BJN | KZU | BETL | ADDED WHITE CABINET OPTION | M09000JW |
| 00A | 9-27-18 | TWV | KZU | JEFK | RELEASED TO PRODUCTION | 00198EAI-DC |

| | | | |
|---|---------|---|-------|
| TITLE | | PANZONE 26RU, 30" DEEP HINGED WALL MOUNT CABINET (PZWMC2630W) WINDOW DOOR | |
| CUSTOMER DRAWING | | | |
| ITEM REVISION NAME | | 00198EAI/00.PRT | |
| DATASET FILE NAME | | 00198EAI_DC/00B.PRT | |
| UNLESS OTHERWISE SPECIFIED, DIMENSIONAL TOLERANCES ARE: IN (mm) | |  | |
| DRAWING NUMBER: | | 00198EAI-DC | |
| DRAWN BY | DATE | CHK | SCALE |
| TWV | 9-27-18 | KZU | NONE |
| SHT 1 OF 2 | | A | |

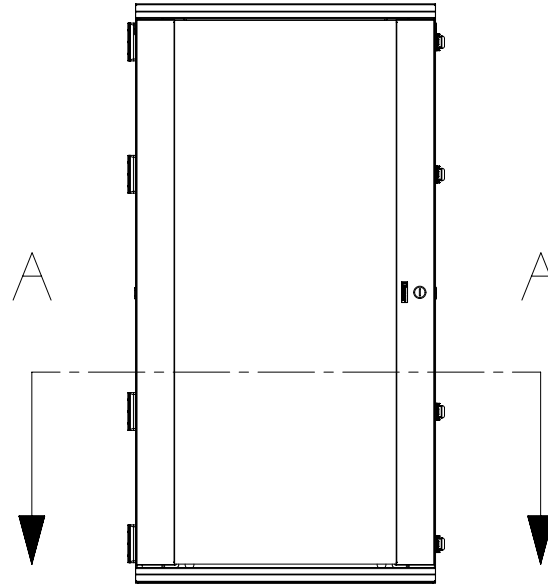
THIS COPY IS PROVIDED ON A RESTRICTED BASIS AND IS NOT TO BE USED IN ANY WAY DETRIMENTAL TO THE INTERESTS OF PANDUIT CORP.



SECTION A-A
EQUIPMENT RAIL
SPACING



CABLE
MANAGEMENT
DEPTH
4.1 DEFAULT
2.3 MINIMUM



FRONT VIEW

| REV | DATE | BY | CHK | APR | DESCRIPTION | ECN |
|-----|---------|-----|-----|------|-----------------------------|-------------|
| 00B | 8-12-19 | BJN | KZU | BETL | SEE SHEET ONE FOR REVISIONS | M09000JW |
| 00A | 9-27-18 | TWV | KZU | JEFK | SEE SHEET ONE FOR REVISIONS | 00198EAI-DC |

| | | | | | |
|---|-----------------|------------|---------------|------------|-----------|
| TITLE PANZONE 26RU, 30" DEEP HINGED WALL MOUNT CABINET (PZWMC2630W) WINDOW DOOR CUSTOMER DRAWING | | | | | |
| ITEM REVISION NAME 00198EAI/00.PRT | PANDUIT | | | | |
| DATASET FILE NAME 00198EAI-DC/00B.PRT | | | | | |
| UNLESS OTHERWISE SPECIFIED, DIMENSIONAL TOLERANCES ARE: IN (mm) | | | | | |
| MATERIAL: CABINET - STEEL WINDOW DOOR - TEMPERED SAFETY GLASS | | | | | |
| DRAWING NUMBER: 00198EAI-DC | | | | | |
| DRAWN BY TWV | DATE 9-27-18 | CHK KZU | SCALE NONE | SHT 2 OF 2 | SIZE A |