



Product designation Star-delta starter
Product type designation BFA115

Electrical features

Maximum operating current ($\leq 440V$) A 195

Components

Contactor standard supplied BF11500A /
BF11500A /
BF8000A

Thermal relay standard supplied No

Thermal relay to purchase separately RF200

Auxiliary contact standard supplied BFX1020 /
BFX1011 /
BFX1011

Contact characteristics

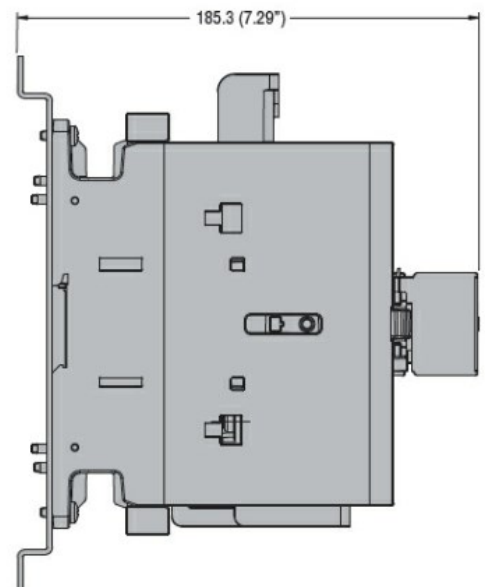
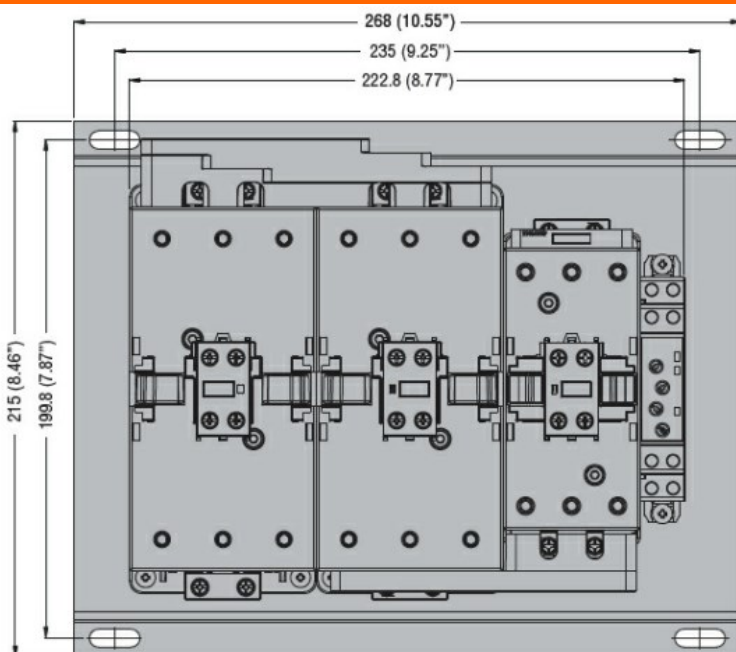
IEC standard motor powers

| | | | |
|--|------|----|-----|
| | 230V | kW | 55 |
| | 400V | kW | 110 |
| | 440V | kW | 110 |
| | 500V | kW | 132 |

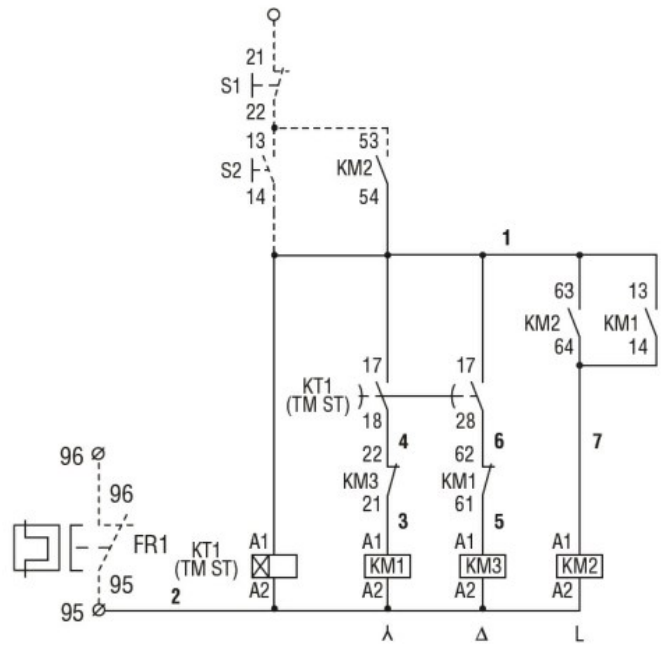
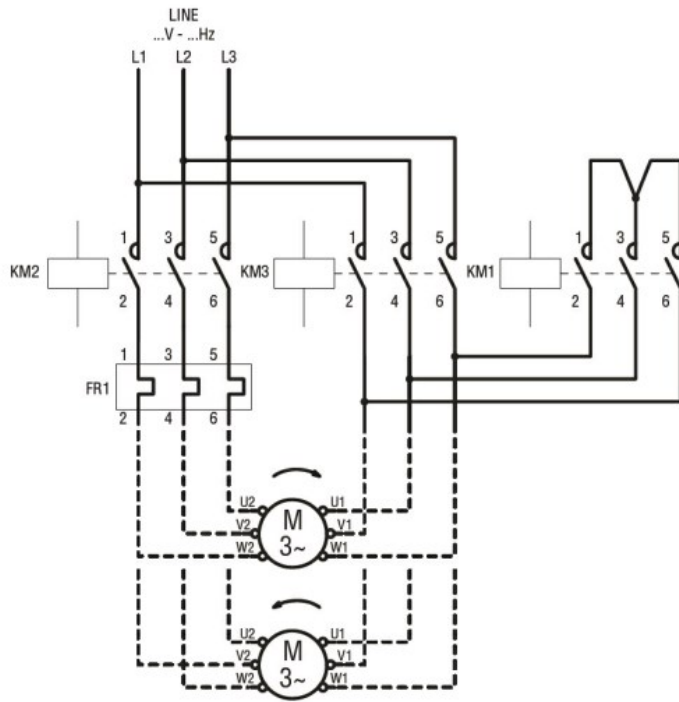
Mechanical features

Weight g 7500

Dimensions



Wiring diagrams



Certifications and compliance

Compliance

IEC/EN 60947-1
 IEC/EN 60947-4-1

Certificates

/

ETIM classification

ETIM 8.0

EC001037 -
 Motor
 starter/Motor
 starter
 combination