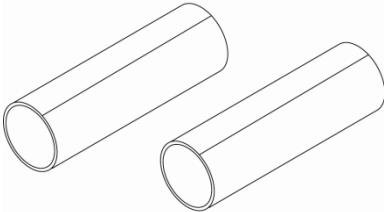
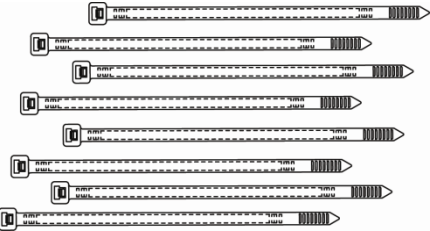
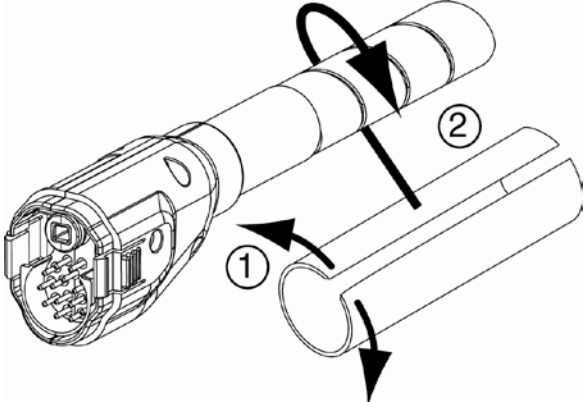
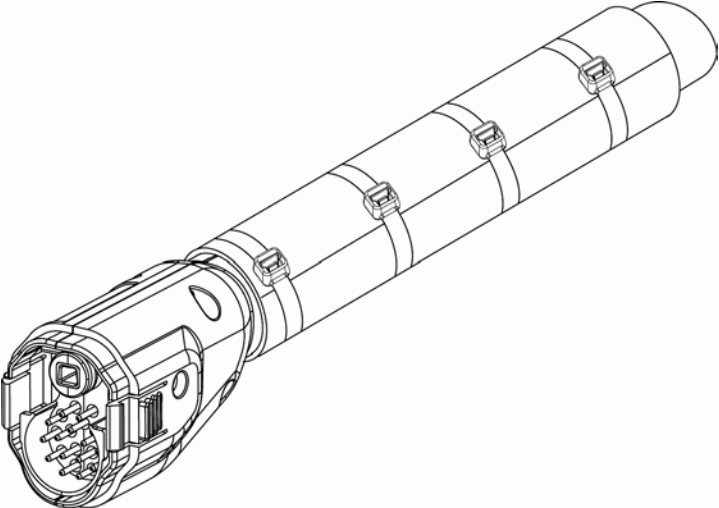



ASSEMBLY INSTRUCTIONS

KIT CONTENTS:		
		
STEP 1	STEP 2 Apply 4 cable ties approx. 2.75" (70mm) apart. (typical both sides)	

		
---	---	---

 **NOTE:** In the interest of higher quality and value, Panduit products are continually being improved and updated. Consequently, pictures may vary from the enclosed product.

<p>Email: techsupport@panduit.com</p> <p>EU Website: www.panduit.com/emea</p> <p>EU Email: emeatoolservicecenter @panduit.com</p>	 www.panduit.com	<p>Technical Support Tel: 1-800-777-3300</p> <p>Panduit Europe • EMEA Service Center Almelo, Netherlands Tel: +31 546 580 452 • Fax: +31 546 580 441</p>
---	---	--