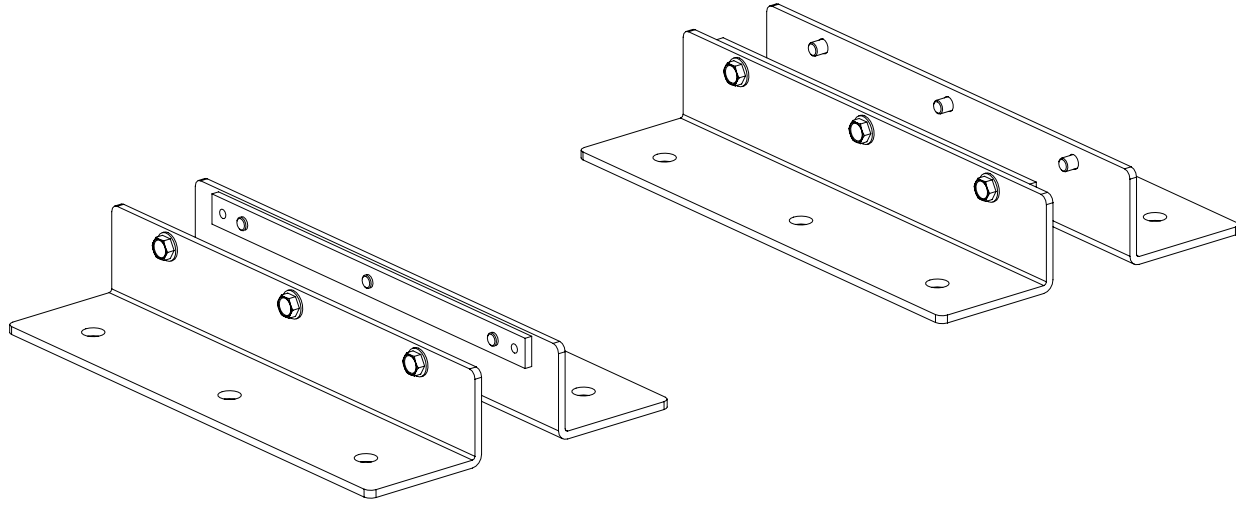


THIS COPY IS PROVIDED ON A RESTRICTED BASIS AND IS NOT TO BE USED IN ANY WAY DETRIMENTAL TO THE INTERESTS OF PANDUIT CORP.

PANDUIT PART NO.	WEIGHT
NAKOSHPD	33.2 LBS/EACH 15.1 Kg/EACH



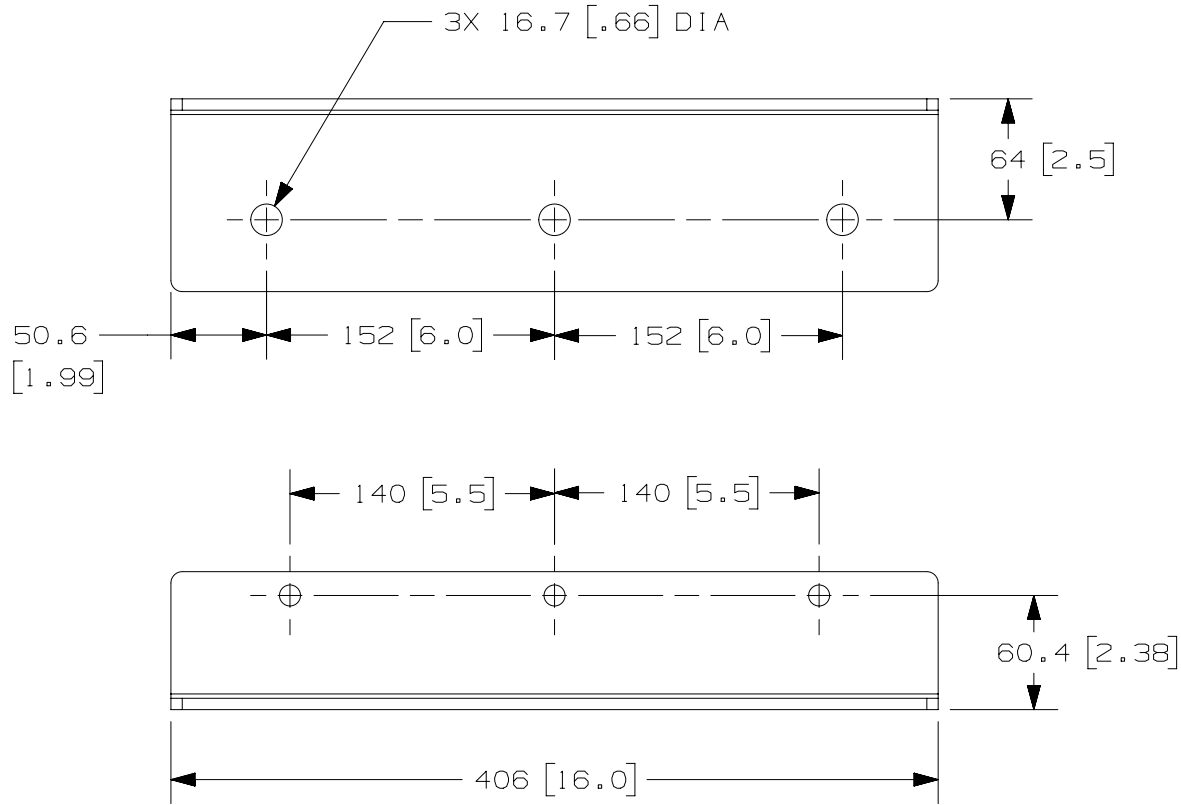
1. VISIT OUR ON-LINE CATALOG AT WWW.PANDUIT.COM FOR A LIST OF CURRENT PARTS APPLICABLE FOR USE WITH THIS PRODUCT.
2. PARTS SUPPLIED:
 - 4- ANCHOR BRACKETS
 - 2- ANCHOR NUT PLATES
 - 12- M10 X 1.5 HEX HEAD BOLTS
 - 1- INSTRUCTION SHEET
3. COLOR-BLACK
4. FULLY BONDED STRUCTURE WHEN ASSEMBLED PER INSTRUCTIONS.

OSHPD N-TYPE CABINETS APPROVAL #OPM 0119-16

OOA	7-12-17	LDR	BRAP		RELEASED TO PRODUCTION				VO9001JP
REV	DATE	BY	CHK	APR	DESCRIPTION				ECN

TITLE				NAKOSHPD N-TYPE CABINET ANCHOR KIT					
				CUSTOMER DRAWING					
ITEM REVISION NAME				13V392AF/00.PRT					
DATASET FILE NAME				13V392AF_DC/00A.PRT					
				MATERIAL:					
				N/A					
				DRAWING NUMBER:					
				13V392AF-DC					
				THIRD ANGLE PROJECTION					
DRAWN BY	DATE	CHK	SCALE						
LDR	7-12/17	BRAP	NONE						
			SHT 1 OF 2			SIZE			
						A			

THIS COPY IS PROVIDED ON A RESTRICTED BASIS AND IS NOT TO BE USED IN ANY WAY DETRIMENTAL TO THE INTERESTS OF PANDUIT CORP.



OOA	7-12-17	LDR	BRAP		SEE SHEET 1 OF 2 FOR REVISIONS				VO9001JP
REV	DATE	BY	CHK	APR	DESCRIPTION	ECN			

TITLE NAKOSHDPD N-TYPE CABINET ANCHOR KIT									
CUSTOMER DRAWING									
ITEM REVISION NAME 13V392AF/00.PRT								PANDUIT	
DATASET FILE NAME 13V392AF_DC/00A.PRT									
MATERIAL: N/A								DRAWING NUMBER: 13V392AF-DC	
				THIRD ANGLE PROJECTION					
DRAWN BY	DATE	CHK	SCALE						
LDR	7-12-17	BRAP	NONE						
SHT 2 OF 2								SIZE A	