

Padlocking device for Acti 9 products (in OFF position only).

1 Compatibility table

Acti 9 product	iC60 circuit breaker		iC60 RCBO
Padlocking accessory for circuit breakers or RCBOs (in OFF position)	LEFT	RIGHT	LEFT ONLY
Associations			
Reference	A9A26380	A9A26381	A9A26380
ID			

⚠ ⚠ DANGER

HAZARD OF ELECTRIC SHOCK, EXPLOSION OR ARC FLASH

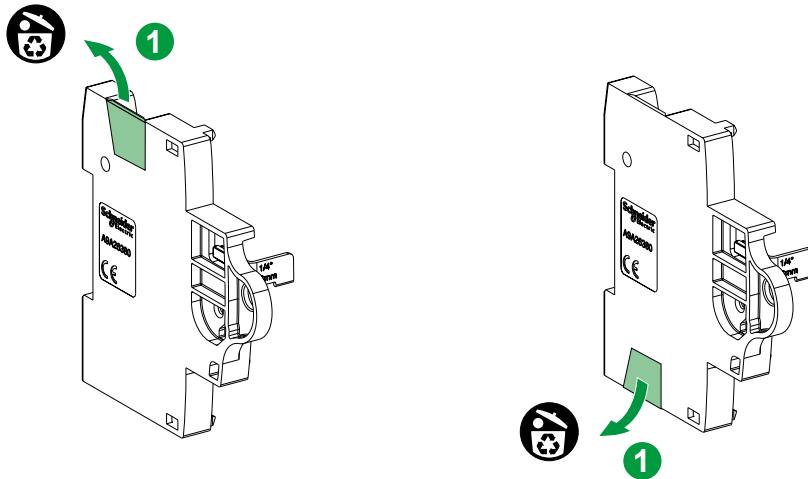
- Wear suitable personal protective equipment (PPE) and respect electrical safety working methods.
 - This device may only be installed and maintained by qualified personnel.
 - Disconnect all power before servicing the device.
 - Use a Voltage Tester of the appropriate rating.
 - Replace all safety devices and cover plates, and close all doors before powering up the device.
- Failure to follow these instructions will result in death or serious injury.**

CAUTION

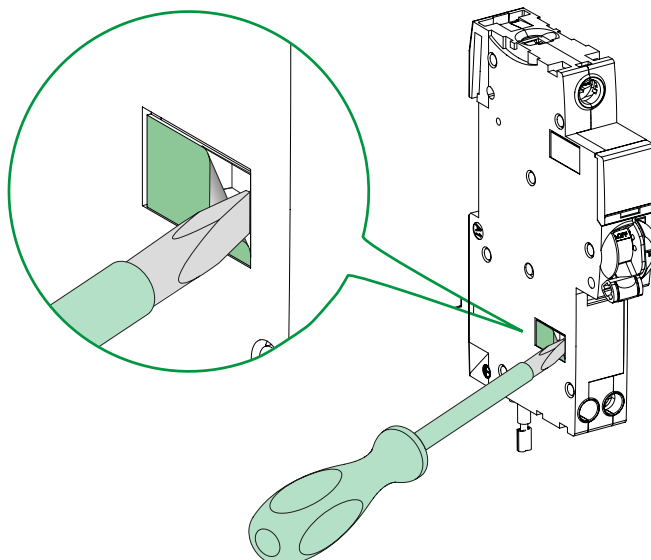
RISK OF EQUIPMENT DAMAGE

- The installation of a padlocking accessory is a permanent measure. Do not attempt to remove the accessory once installed.
 - Make sure that the padlocking accessory part number matches the correct Acti 9 circuit breaker (or RCBO) (see table on page 1).
 - The padlocking accessory must be fitted directly to the circuit breaker (or RCBO), and not an accessory of the circuit breaker (or RCBO).
 - For ease of assembly, install the padlocking accessory before installing the Acti 9 circuit breaker (or RCBO).
- Failure to follow these instructions can result in injury or equipment damage.**

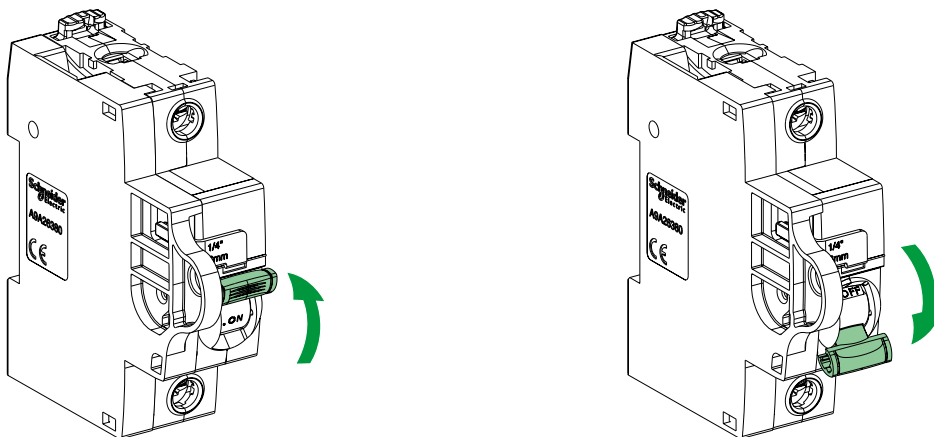
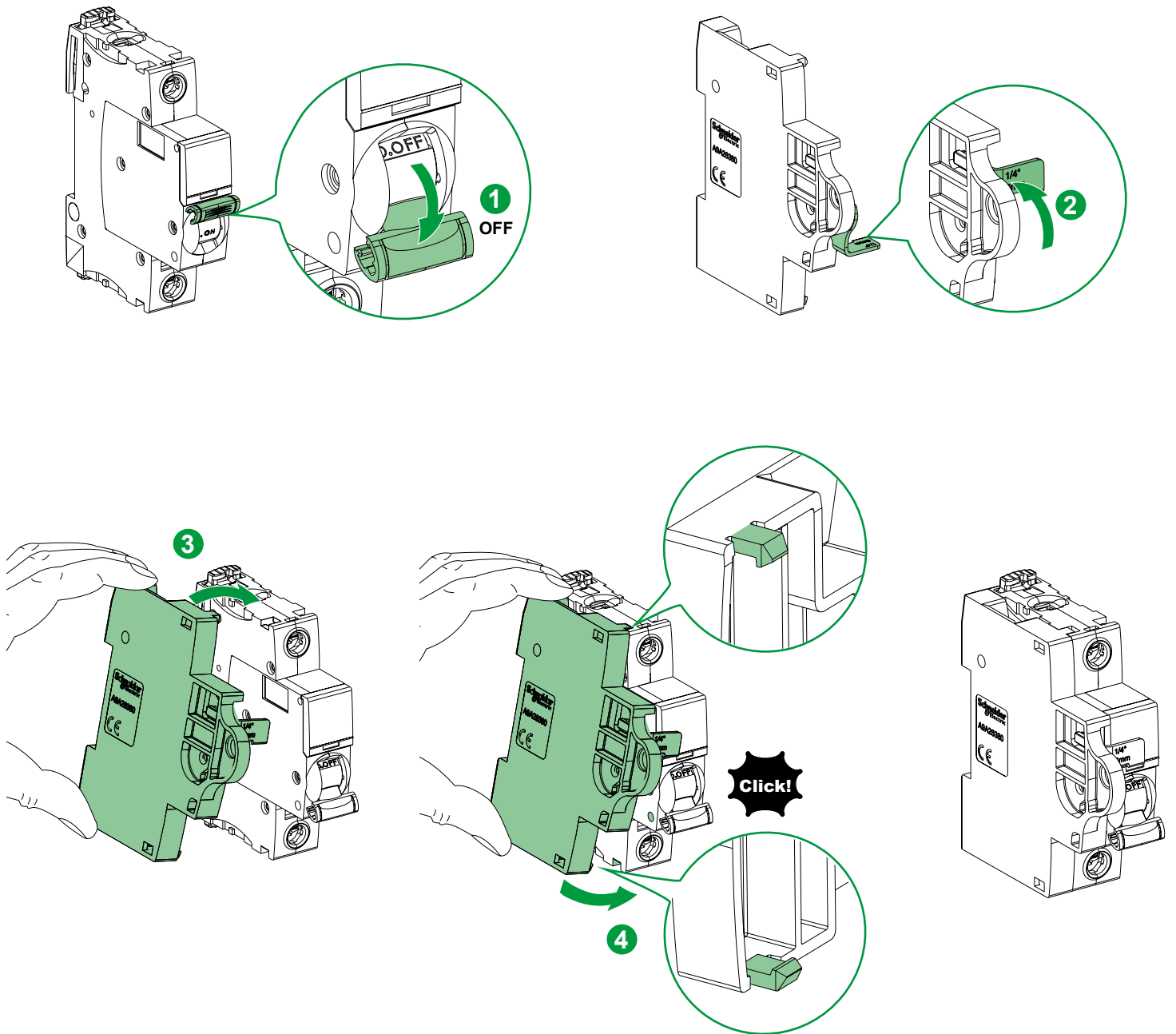
i Installation with comb busbar



i iC60 RCBO



2 Installation



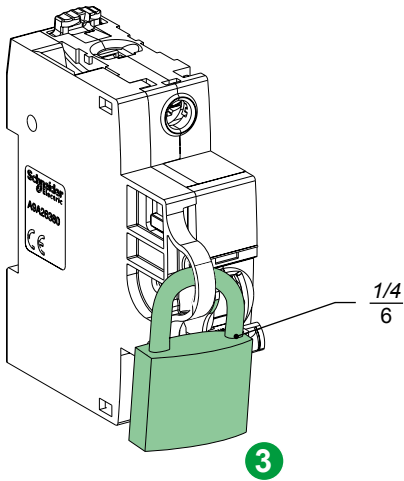
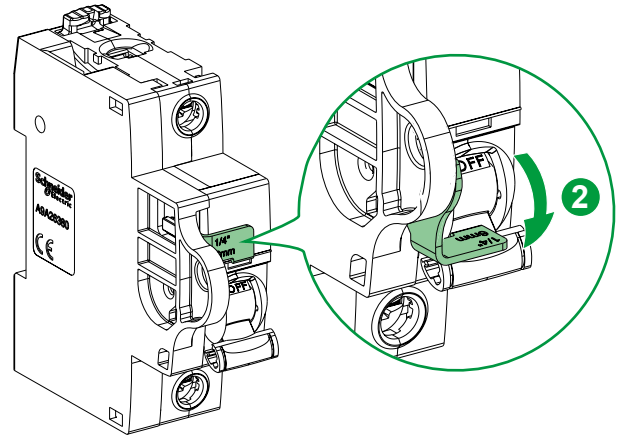
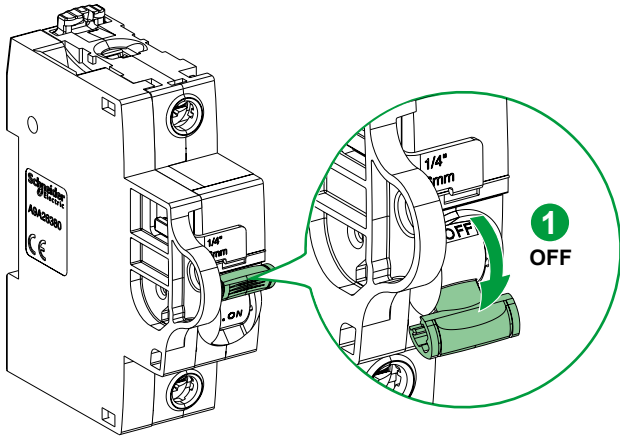
3 Lockout-tagout

⚠ ⚠ DANGER

HAZARD OF ELECTRIC SHOCK, EXPLOSION OR ARC FLASH

- Wear suitable personal protective equipment (PPE) and respect electrical safety working methods.
 - This device may only be installed and maintained by qualified personnel.
 - Disconnect all power before servicing the device.
 - Use a Voltage Tester of the appropriate rating.
 - Replace all safety devices and cover plates, and close all doors before powering up the device.
- Failure to follow these instructions will result in death or serious injury.**

$\frac{in.}{mm}$



Schneider Electric Industries SAS
35, rue Joseph Monier
CS 30323
F - 92506 Rueil Malmaison Cedex

www.schneider-electric.com

NHA9695201-00

© 2015 Schneider Electric - All rights reserved.

4/4