



| | | | |
|---|------------------------------------|------------------|-----------------|
| Product designation | Power contactor | | |
| Product type designation | BFK32 | | |
| Contact characteristics | | | |
| Number of poles | Nr. | 3 | |
| Rated insulation voltage U_i IEC/EN | V | 690 | |
| Rated impulse withstand voltage U_{imp} | kV | 6 | |
| Operational frequency | min | Hz | 25 |
| | max | Hz | 400 |
| IEC Conventional free air thermal current I_{th} | A | 56 | |
| Rated operational power AC-6b ($T \leq 40^\circ C$) | 230V | kvar | 14 |
| | 400V | kvar | 25 |
| | 440...480V | kvar | 27.5 |
| | 690V | kvar | 30 |
| Short-time allowable current for 10s (IEC/EN60947-1) | A | 320 | |
| Protection fuse | gG (IEC) | A | 63 |
| | Making capacity (RMS value) | A | 320 |
| Breaking capacity at voltage | 440V | A | 256 |
| | 500V | A | 240 |
| | 690V | A | 192 |
| Resistance per pole (average value) | m Ω | 2 | |
| Power dissipation per pole (average value) | I_{th} | W | 6 |
| | Tightening torque for terminals | min | Nm |
| | max | Nm | 3 |
| | min | I _{bin} | 1.8 |
| | max | I _{bin} | 2.2 |
| Tightening torque for coil terminal | min | Nm | 0.8 |
| | max | Nm | 1 |
| | min | I _{bin} | 0.59 |
| | max | I _{bin} | 0.74 |
| Max number of wires simultaneously connectable | Nr. | 2 | |
| Conductor section | AWG/Kcmil | max | 6 |
| | Flexible w/o lug conductor section | min | mm ² |
| | | max | mm ² |
| Flexible c/w lug conductor section | min | mm ² | 1 |

| | | | | |
|---|--|------------------|-----------------|--------------------------|
| | | max | mm ² | 10 |
| Flexible with insulated spade lug conductor section | | | | |
| | | min | mm ² | 1 |
| | | max | mm ² | 10 |
| Power terminal protection according to IEC/EN 60529 | | | | IP20 when properly wired |
| Mechanical features | | | | |
| Operating position | | | | |
| | | normal allowable | | Vertical plan ±30° |
| Fixing | | | | Screw / DIN rail 35mm |
| Weight | | | g | 400 |
| Conductor section | | | | |
| AWG/kcmil conductor section | | | | |
| | | max | | 6 |
| Operations | | | | |
| Mechanical life | | | cycles | 20000000 |
| Electrical life | | | cycles | 1600000 |
| Safety related data | | | | |
| Performance level B10d according to EN/ISO 13489-1 | | | | |
| | | rated load | cycles | 400000 |
| | | mechanical load | cycles | 20000000 |
| EMC compatibility | | | | yes |
| AC coil operating | | | | |
| Rated AC voltage at 60Hz | | | V | 230 |
| AC operating voltage | | | | |
| of 60Hz coil powered at 60Hz | | | | |
| pick-up | | | | |
| | | min | %Us | 80 |
| | | max | %Us | 110 |
| drop-out | | | | |
| | | min | %Us | 20 |
| | | max | %Us | 55 |
| AC average coil consumption at 20°C | | | | |
| of 60Hz coil powered at 60Hz | | | | |
| | | in-rush | VA | 75 |
| | | holding | VA | 9 |
| Dissipation at holding ≤20°C 50Hz | | | W | 2.5 |
| Max cycles frequency | | | | |
| Mechanical operation | | | cycles/h | 3600 |
| Operating times | | | | |
| Average time for Us control | | | | |
| in AC | | | | |
| Closing NO | | | | |
| | | min | ms | 8 |
| | | max | ms | 24 |
| Opening NO | | | | |
| | | min | ms | 5 |
| | | max | ms | 15 |
| Closing NC | | | | |
| | | min | ms | 9 |
| | | max | ms | 20 |
| UL technical data | | | | |

General USE

Contactor

AC current A 56

Ambient conditions

Temperature

Operating temperature

min °C -50
max °C 70

Storage temperature

min °C -60
max °C 80

Max altitude

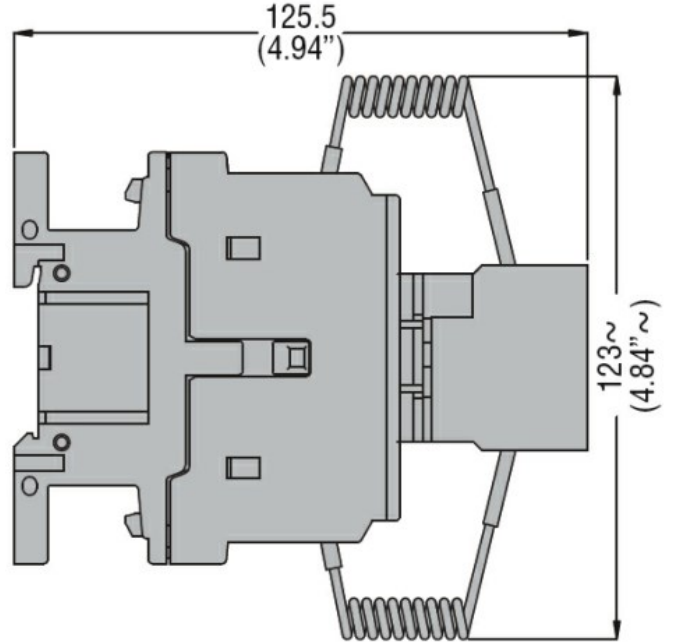
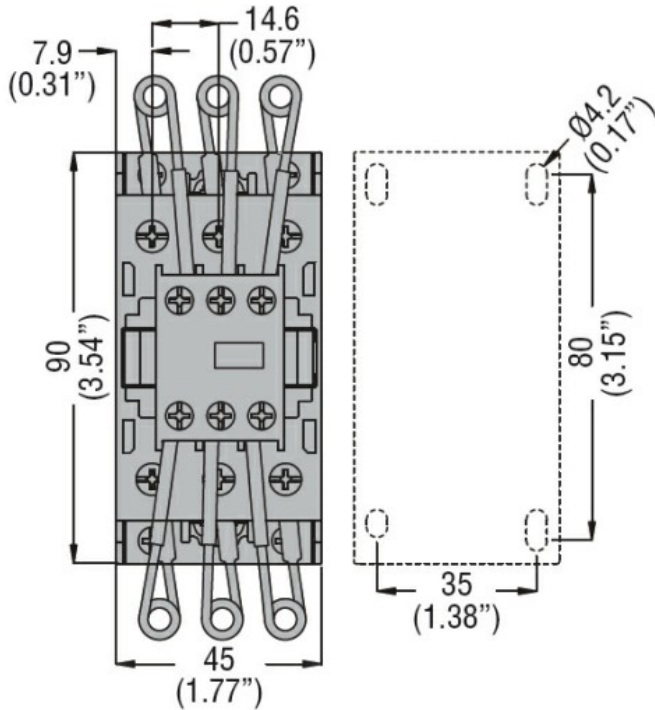
m 3000

Resistance & Protection

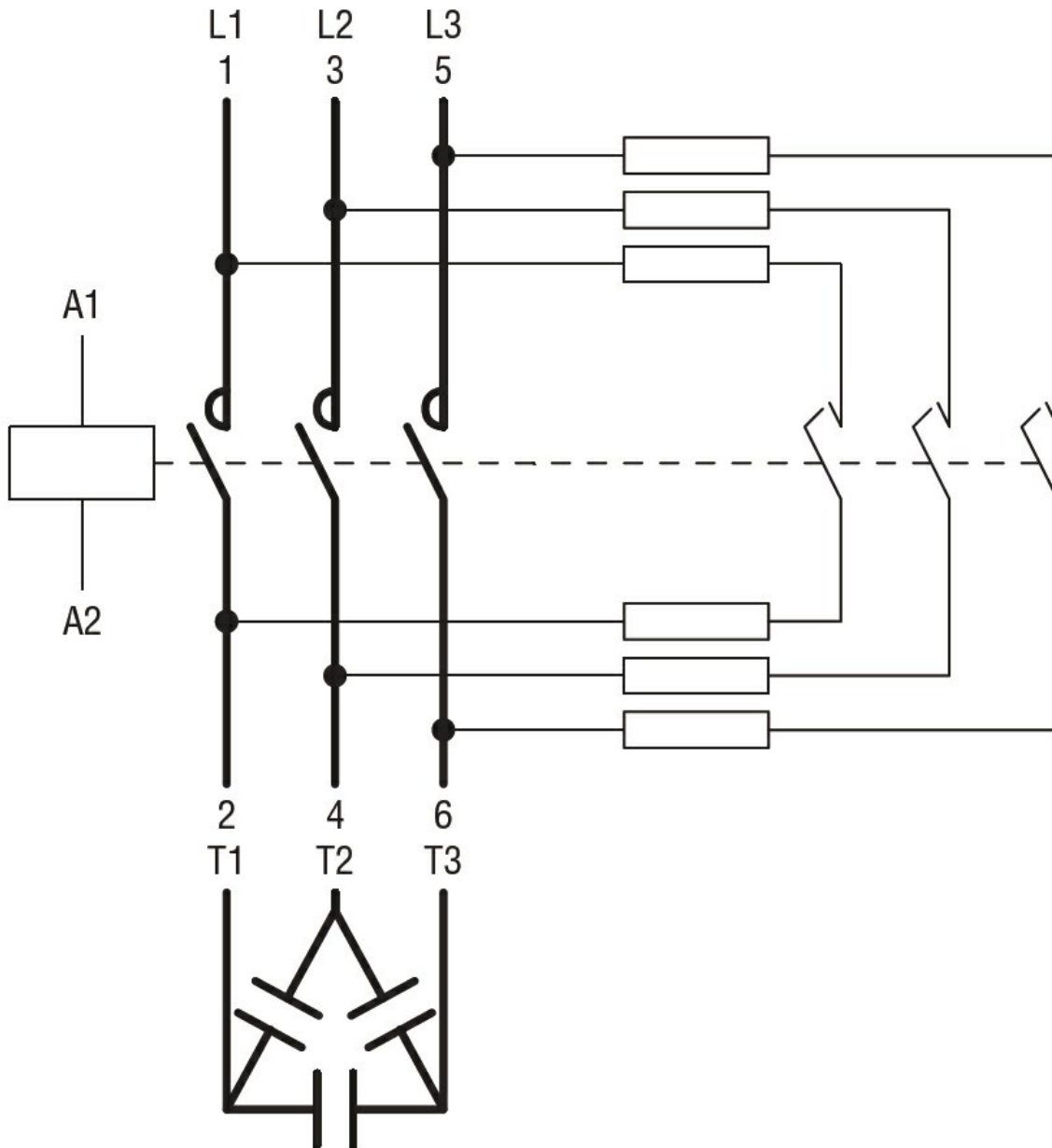
Pollution degree

3

Dimensions



Wiring diagrams



Certifications and compliance

Compliance

- CSA C22.2 n° 60947-1
- CSA C22.2 n° 60947-4-1
- IEC/EN/BS 60947-1
- IEC/EN/BS 60947-4-1
- UL 60947-1
- UL 60947-4-1

Certificates

- CCC
- cULus
- EAC

ETIM classification

ETIM 8.0

EC001079 -
Capacitor
contactor