

Part number

CKA 03 VS



Hood, CKA series, with 2 pegs, Pg11 top cable entry, size "21.21"

Product description		Material properties	
Product type	Hood	Main material	Zinc die-cast
Series	CKA	Colour	RAL 7040 grey
Closing type	With 2 pegs	RoHs conformity	Compliant
Size	Size "21.21"	China RoHs - EFUP	E
Cable entry	Top cable entry Pg11	REACH SVHC substances	No
Technical data		Approvals / Standards	
IP degree of protection	IP44 (IP66/IP67/IP69 with CKR 65/CKR 65 D kits)	UL	ECBT2
Further technical details		cUL	ECBT8
Weight	70,00 g	General ordering information	
Operating temperature range (min, max)	-40°C...+125°C	EAN13 code	8015747027137
		Packaging Information	
		Packaging length	330,00 mm
		Packaging height	230,00 mm
		Packaging width	205,00 mm
		Packaging weight	6,99 kg
		Packaging volume	15,56 dm ³
		Packaging description	Carton box
		Packaging quantity	100 Pcs
		Packaging EAN code	8015747027144
		Sub-packaging length	185,00 mm
		Sub-packaging height	40,00 mm
		Sub-packaging width	155,00 mm
		Sub-packaging weight	0,70 kg
		Sub-packaging volume	1,15 dm ³
		Sub-packaging description	Carton box
		Sub-packaging quantity	10 Pcs
		Sub-packaging EAN barcode	8015747027151

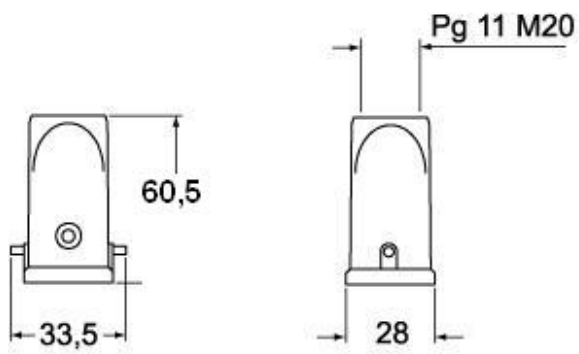
Part number

CKA 03 VS

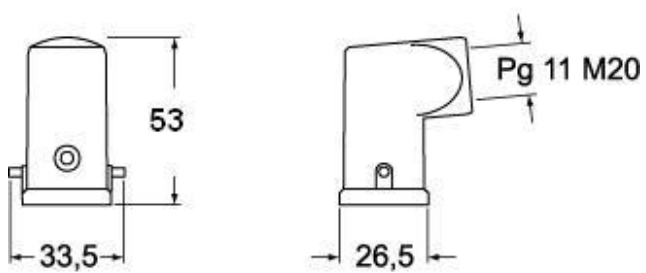


Catalogue drawings

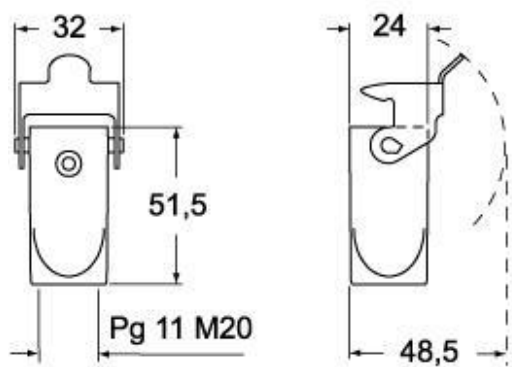
CKA VS - MKA V



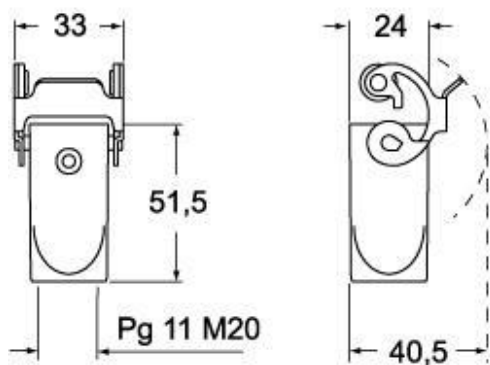
CKA VAS - MKA VA



CKA VAS - MKA VA



CKAX VGS - MKAX VG



Notes

Dimensions shown in mm are not binding and may be changed without notice.
