



Product designation				Power contactor
Product type designation				BF115
Contact characteristics				
Number of poles	Nr.			4
Rated insulation voltage U _i IEC/EN	V			1000
Rated impulse withstand voltage U _{imp}	kV			8
Operational frequency	min	Hz	25	
	max	Hz	400	
IEC Conventional free air thermal current I _{th}	A			160
Operational current I _e	AC-1 (≤40°C)	A	160	
	AC-1 (≤55°C)	A	130	
	AC-1 (≤70°C)	A	115	
	AC-3 (≤440V ≤55°C)	A	115	
	AC-4 (400V)	A	54	
Rated operational current AC-3 (T≤55°C)	230V	A	115	
	400V	A	115	
	415V	A	115	
	440V	A	115	
	500V	A	106	
	690V	A	106	
	1000V	A	39	
IEC max current I _e in DC1 with L/R ≤ 1ms with 1 poles in series	≤24V	A	160	
	48V	A	160	
	75V	A	120	
	110V	A	10	
	220V	A	–	
	IEC max current I _e in DC1 with L/R ≤ 1ms with 2 poles in series	≤24V	A	160
48V		A	160	
75V		A	160	
110V		A	130	
220V		A	14	
IEC max current I _e in DC1 with L/R ≤ 1ms with 3 poles in series		≤24V	A	160
	48V	A	160	
	75V	A	160	
	110V	A	140	
	220V	A	145	
	IEC max current I _e in DC1 with L/R ≤ 1ms with 4 poles in series	≤24V	A	160
48V		A	160	

	75V	A	160
	110V	A	160
	220V	A	160
<hr/>			
IEC max current I _e in DC3-DC5 with L/R ≤ 15ms with 1 poles in series			
	≤24V	A	160
	48V	A	50
	75V	A	40
	110V	A	6
	220V	A	–
<hr/>			
IEC max current I _e in DC3-DC5 with L/R ≤ 15ms with 2 poles in series			
	≤24V	A	160
	48V	A	72
	75V	A	65
	110V	A	65
	220V	A	7
<hr/>			
IEC max current I _e in DC3-DC5 with L/R ≤ 15ms with 3 poles in series			
	≤24V	A	160
	48V	A	150
	75V	A	100
	110V	A	100
	220V	A	92
<hr/>			
IEC max current I _e in DC3-DC5 with L/R ≤ 15ms with 4 poles in series			
	≤24V	A	160
	48V	A	120
	75V	A	120
	110V	A	125
	220V	A	115
<hr/>			
Short-time allowable current for 10s (IEC/EN60947-1)		A	920
<hr/>			
Protection fuse			
	gG (IEC)	A	200
	aM (IEC)	A	125
<hr/>			
Making capacity (RMS value)		A	1500
<hr/>			
Breaking capacity at voltage			
	440V	A	1200
	500V	A	850
	690V	A	905
<hr/>			
Resistance per pole (average value)		mΩ	0.45
<hr/>			
Power dissipation per pole (average value)			
	I _{th}	W	11.5
	AC-3	W	6.0
<hr/>			
Tightening torque for terminals			
	min	Nm	6
	max	Nm	7
	min	lbin	4.4
	max	lbin	5.2
<hr/>			
Tightening torque for coil terminal			
	min	Nm	0.8
	max	Nm	1
	min	lbin	0.59
	max	lbin	0.74
<hr/>			
Conductor section			
	AWG/Kcmil		
	max		2/0

Flexible w/o lug conductor section			
	min	mm ²	1.5
	max	mm ²	70
Flexible c/w lug conductor section			
	min	mm ²	1.5
	max	mm ²	70
Power terminal protection according to IEC/EN 60529			IP20 front
Mechanical features			
Operating position			
	normal allowable	Vertical plan ±30°	
Fixing			Screw / DIN rail 35mm
Weight			g 2420
Conductor section			
AWG/kcmil conductor section			
	max	2/0	
Operations			
Mechanical life		cycles	15000000
Electrical life		cycles	1200000
AC coil operating			
Rated AC voltage at 60Hz		V	220
AC operating voltage			
of 50/60Hz coil powered at 50Hz drop-out			
	max	%Us	55
of 60Hz coil powered at 60Hz pick-up			
	min	%Us	80
	max	%Us	110
drop-out			
	min	%Us	20
	max	%Us	55
AC average coil consumption at 20°C			
of 60Hz coil powered at 60Hz			
	in-rush holding	VA	300
		VA	20
Max cycles frequency			
Mechanical operation		cycles/h	1500
Operating times			
Average time for Us control in AC			
Closing NO			
	min	ms	16
	max	ms	32
Opening NO			
	min	ms	9
	max	ms	24
UL technical data			
General USE			
Contactor			
	AC current	A	165
Short-circuit protection fuse, 600V High fault			

Short circuit current	kA	100
Fuse rating	A	200
Fuse class		J

Standard fault

Short circuit current	kA	10
Fuse rating	A	250
Fuse class		RK5

Ambient conditions

Temperature

Operating temperature

min	°C	-50
max	°C	70

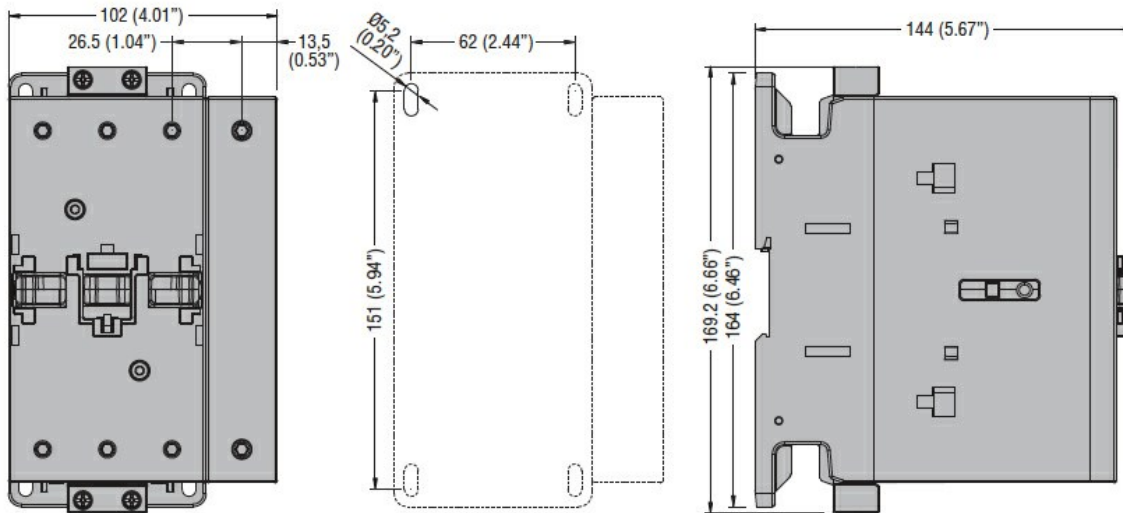
Storage temperature

min	°C	-60
max	°C	+80

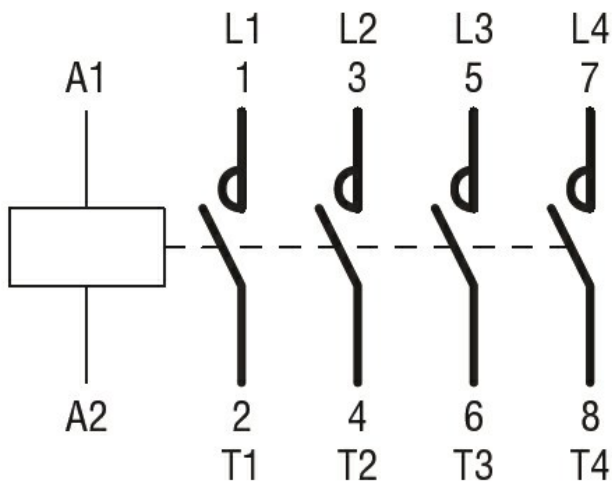
Max altitude

m 3000

Dimensions



Wiring diagrams



Certifications and compliance

Compliance

CSA C22.2 n° 60947-1

CSA C22.2 n° 60947-4-1

IEC/EN/BS 60947-1

IEC/EN/BS 60947-4-1

UL 60947-1

UL 60947-4-1

Certificates

CCC

cULus

EAC

ETIM classification

ETIM 8.0

EC000066 -
Power contactor,
AC switching