

Product designation	Rotary cam switches		
Product type designation	7GN20		
<b>General characteristics</b>			
Switching diagram	25 - 1-phase motor reversing switch with spring return		
N° of elements	2		
Mounting form	O48 - Modular service cover for 35mm din rail mounting with black handle		
<b>Contact characteristics</b>			
Rated insulation voltage $U_i$	IEC/EN	V	690
	UL/CSA	V	600
Rated impulse withstand voltage $U_{imp}$		kV	6
Conventional free air thermal current $I_{th}$	IEC/EN	A	20
	UL/CSA	A	20
Rated operational voltage		V	480
Rated operational impulse voltage		kV	4
Maximum fuse size for short-circuit protection $I_n$ (gG)	10kA	A	20
	15kA	A	16
	25kA	A	16
Rated short time current $I_{cw}$		A	250
	1s	A	250
Conductivity			10/5 mA/V
Operational current $I_e$ IEC/EN	AC1/AC21A		
		A	20
AC15	110V	A	10
	220/230V	A	8
	380/400V	A	6
	660/690V	A	1.5
Rated operational power in AC	Three-phase AC-3		
	220/230V	kW	3
	380/440V	kW	5.5
	500/690V	kW	5.5
	Single-phase AC-3		
	110V	kW	0.8
	220/230V	kW	2.2
	380/440V	kW	3
	Three-phase AC23A		
	220/230V	kW	5
	380/440V	kW	7.5
	500/690V	kW	7.5
Single-phase AC23A			
110V	kW	0.8	

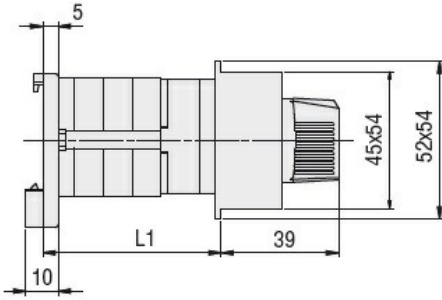
	220/230V	kW	2.5
	380/440V	kW	3.7
<b>Rated operational current in DC</b>			
DC21A			
	48V	A	20
	60V	A	20
	110V	A	4
	220V	A	0.6
	440V	A	0.25
<b>DC23A (poles in series)</b>			
	24V	A	20 (1)
	48V	A	20 (2)
	60V	A	20 (3)
	110V	A	10 (3)
	220V	A	8 (4)
<b>DC13</b>			
	24V	A	20
	48V	A	16
	60V	A	12
	110V	A	1
	220V	A	0.4
	440V	A	0.15
<b>Power dissipation</b>		W	0.8
<b>Mechanical features</b>			
<b>Terminals screw</b>			M3
<b>Tightening torque for terminals max</b>		Nm	0.5
<b>Conductor size</b>			
AWG - Rigid cable			
	min	AWG	20
	Max	AWG	12
AWG - Flexible cable			
	min	AWG	20
	Max	AWG	14
Conductor size (IEC) - Flexible cable			
	min	mm <sup>2</sup>	0.5
	Max	mm <sup>2</sup>	2.5
Conductor size (IEC) - Rigid cable			
	min	mm <sup>2</sup>	0.5
	Max	mm <sup>2</sup>	2.5
<b>Mechanical life</b>		cycles	5x10 <sup>6</sup>
<b>UL technical data</b>			
<b>Motor power for direct-on-line control</b>			
for three-phase motor			
	120V	HP	1.5
	240V	HP	3
	480V	HP	7.5
	600V	HP	10
for single-phase motor			
	120V	HP	0.75
	240V	HP	2
<b>Ambient conditions</b>			
<b>Temperature</b>			
Operating temperature			
	min	°C	-25

Storage temperature	max	°C	+55
	min	°C	-40
	max	°C	+70

**Resistance & Protection**

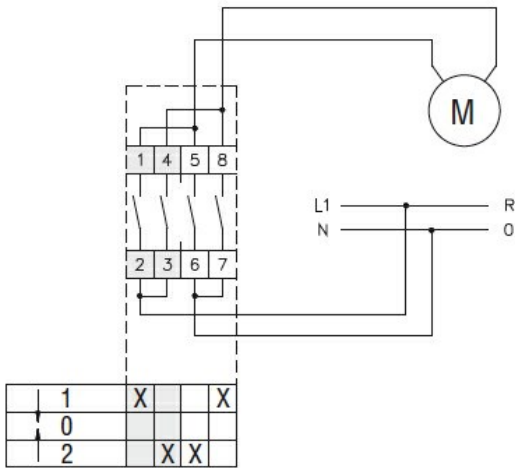
Frontal IP degree	IP40
Terminals IP degree	IP00

**Dimensions**



Series	L1		
	1	2	3
7GN12	38.1	47.8	57.5
7GN20	38.1	47.8	57.5
7GN25	42.5	56.1	69.7

**Wiring diagrams**



**Certifications and compliance**

**Compliance**

CSA C22.2 n° 14
IEC/EN/BS 60947-1
IEC/EN/BS 60947-3
IEC/EN/BS 60947-5-1
UL60947-4-1

**Certificates**

cCSAus
EAC
UL

**ETIM classification**

ETIM 8.0

EC001029 -  
Selector switch,  
complete