



Product designation

Product type designation

Number of poles

Operating voltage type

Changeover
Switch
GA
Nr. 3
AC

Contact characteristics

IEC Conventional free air thermal current I_{th} A 63

Rated insulation voltage U_i IEC/EN V 1000

Rated impulse withstand voltage U_{imp} kV 8

Operating current I_e

AC21A	400V	A	63
	500V	A	63
	690V	A	63

AC22A	400V	A	63
	500V	A	45
	690V	A	45

AC23A	400V	A	45
	500V	A	25
	690V	A	25

Power dissipation per pole max W 2.9

Rated operational power AC23A	400V	kW	22
	690V	kW	22

Conditional short-circuit current (rms) kA 10

Short-circuit protection with fuse Class/A gG63

Making capacity AC23A 400V A 450

Breaking capacity AC23A 400V A 360

Mechanical life cycles 100000

Electrical life AC21A cycles 15000

Mechanical features

Operating position

normal
allowable Vertical plan
Any

Fixing

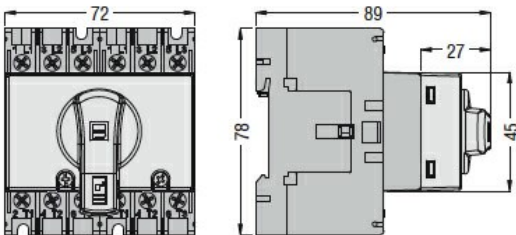
Screw / DIN rail
35mm

Terminals

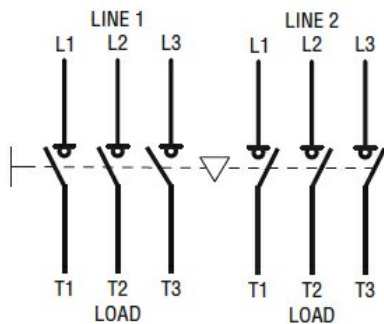
type		Pillar
width	mm	5.6
height	mm	6.5
screw		M4
tool		Phillips 2

Tightening torque for terminals

	min	Nm	1.8
	max	Nm	2
	min	Ibin	16
	max	Ibin	18
Conductor section			
	IEC min	mm ²	0.75
	IEC max	mm ²	16
	AWG/kcmil min		18
	AWG/kcmil max		6
Weight			g 350
Ambient conditions			
Operating temperature			
	min	°C	-25
	max	°C	+55
Storage temperature			
	min	°C	-40
	max	°C	+70
Max altitude			m 3000
Resistance & Protection			
Frontal IP degree			IP20
Pollution degree			3
Dimensions			



Wiring diagrams



ETIM classification

ETIM 8.0

EC000216 -
Switch
disconnecter