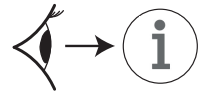


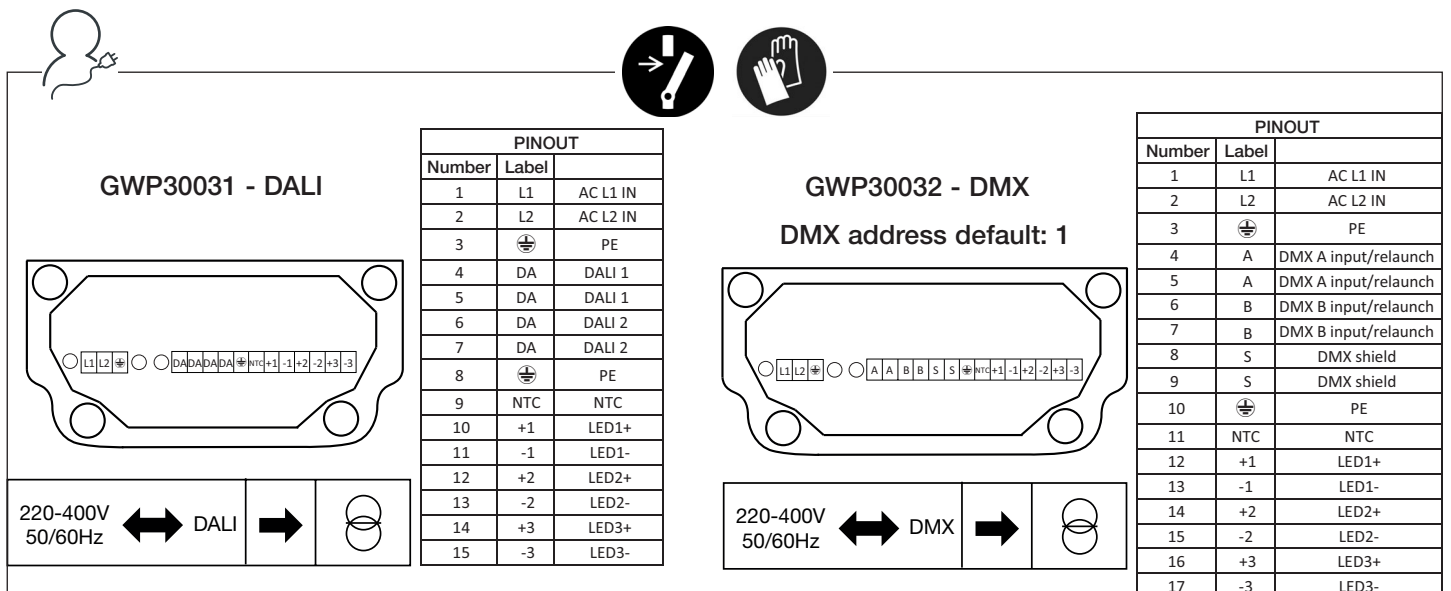
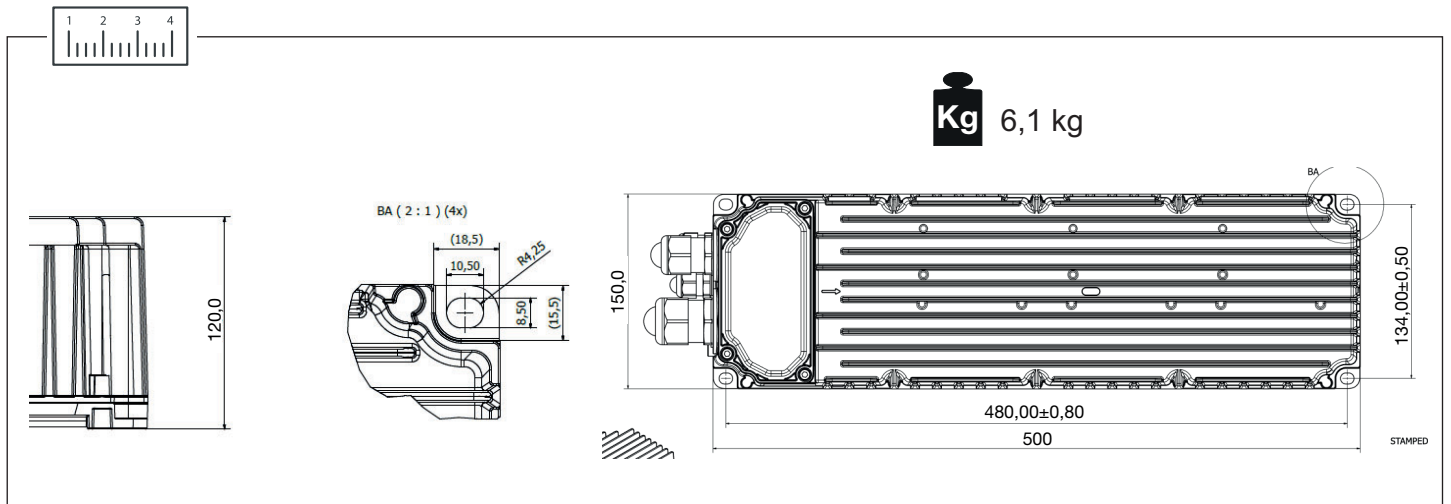
GWP30031 - DALI
GWP30032 - DMX

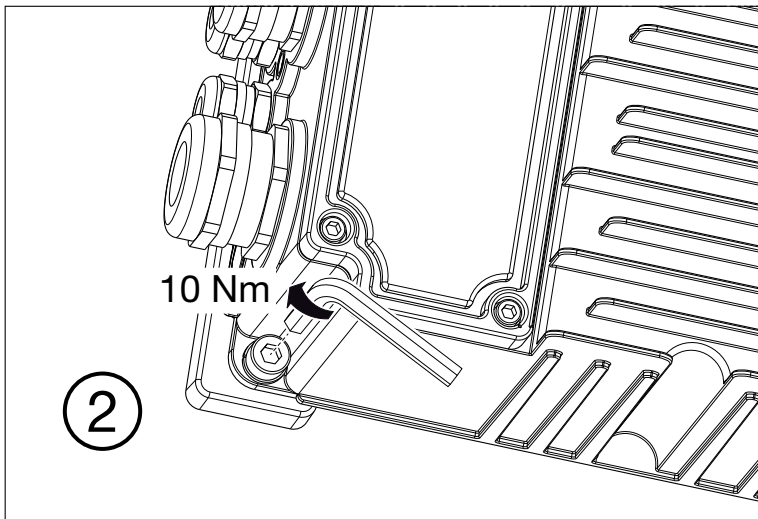
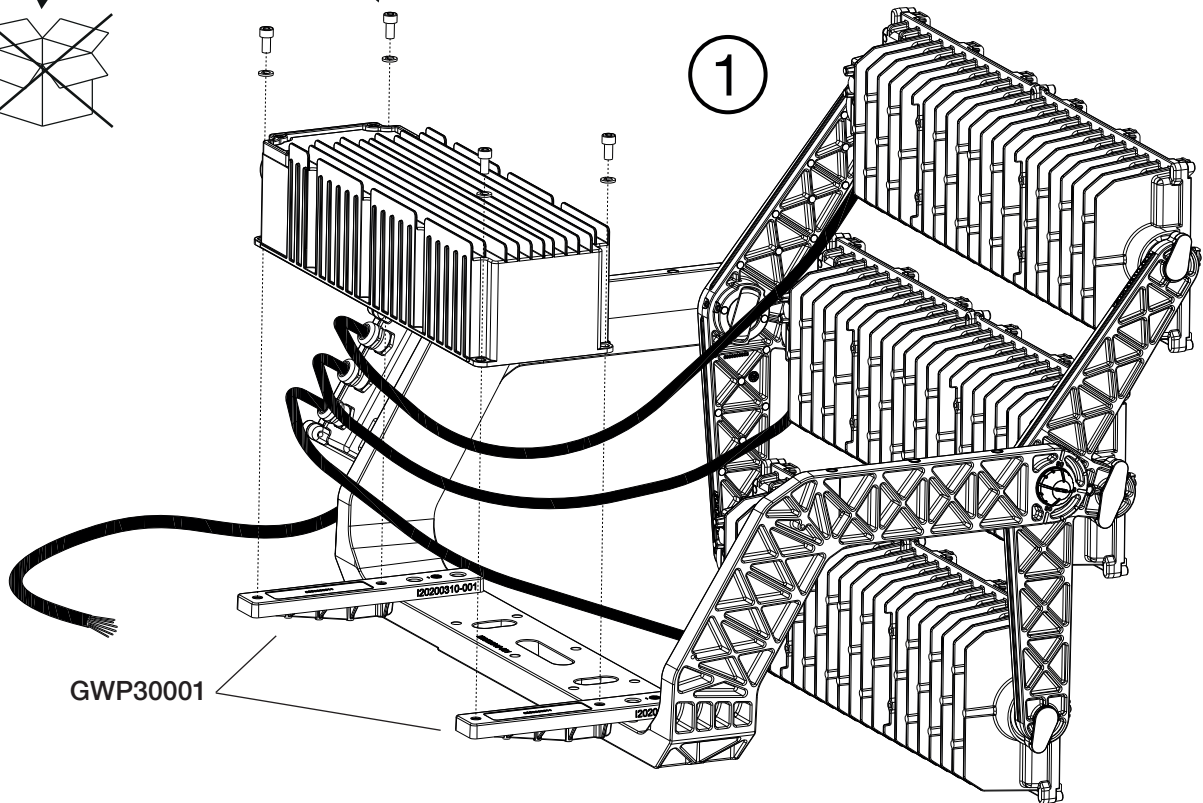
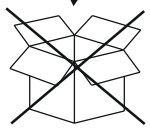
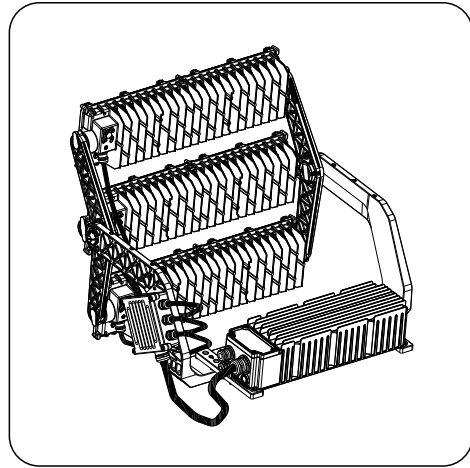


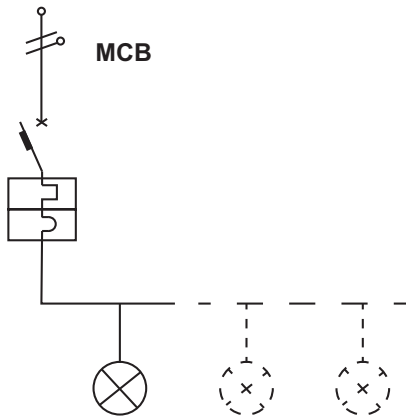
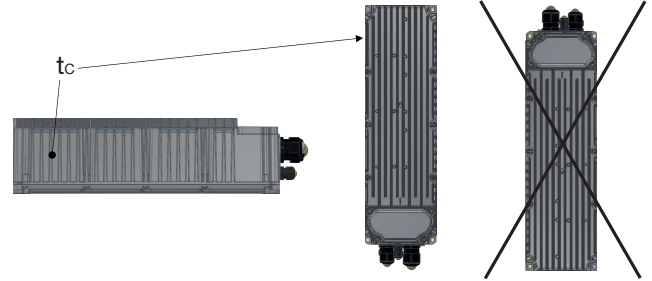
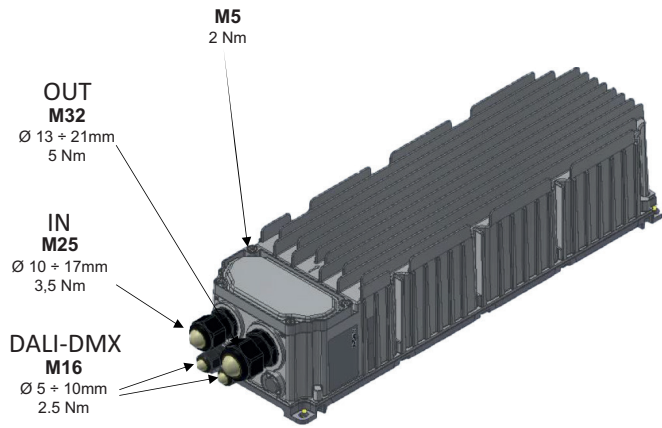
IP66



V	I	Uout
220-400V 50/60 Hz	Max 1,2 A	Max 600 V ⁻⁻⁻



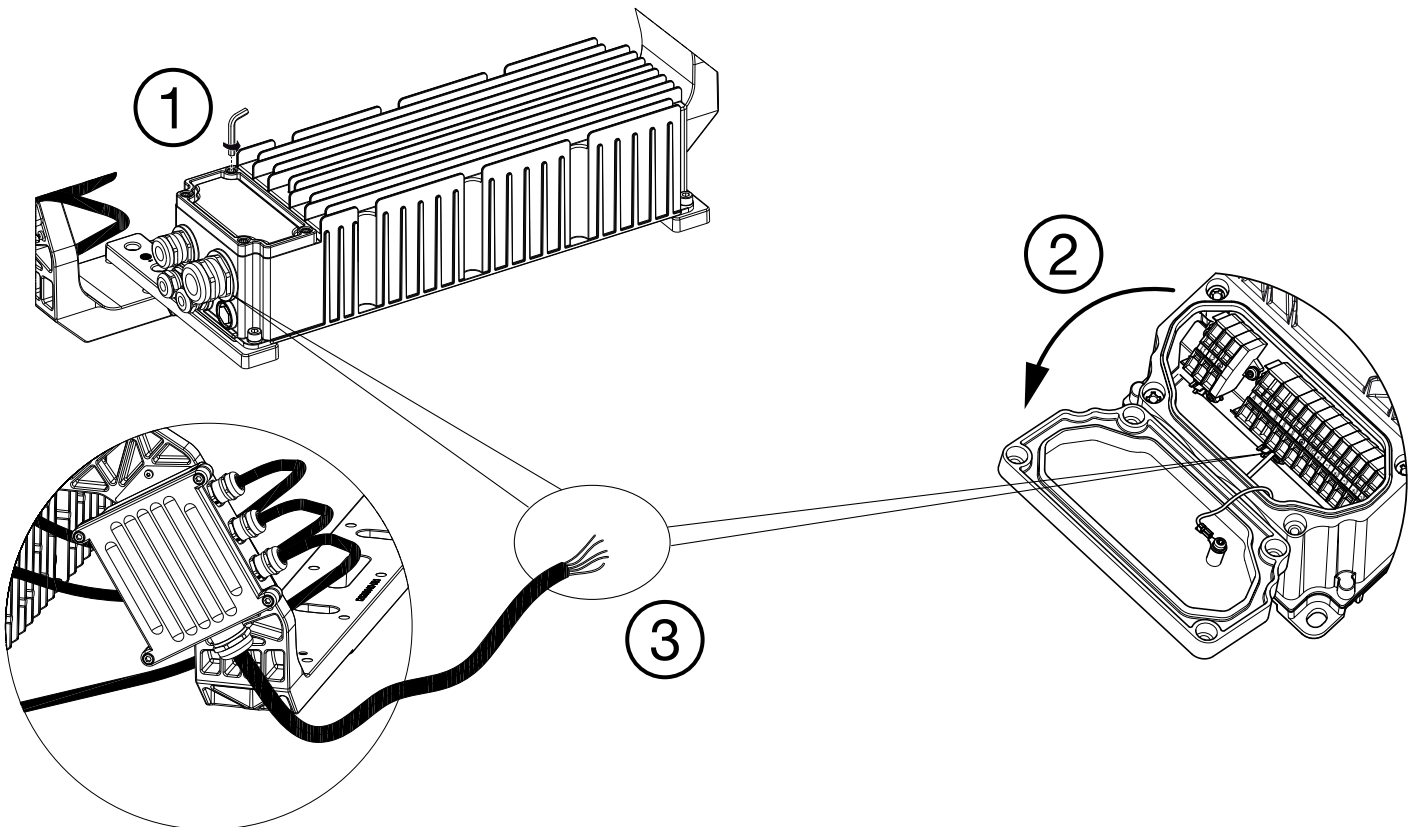


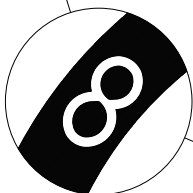
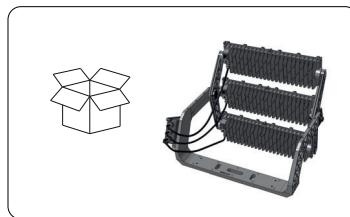
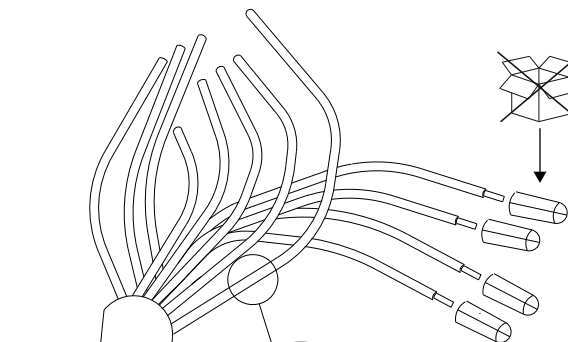


Inrush Current		
Vin	Ipeak	Half Value Time
230 Vac	40 A	2,5 ms
400 Vac	68 A	2 ms

Max Nr. GWP30031/32 - 230 V				
MCB:	10A	16A	20A	25A
Type B	1	1	2	2
Type C	1	1	2	2
Type D	1	1	2	2

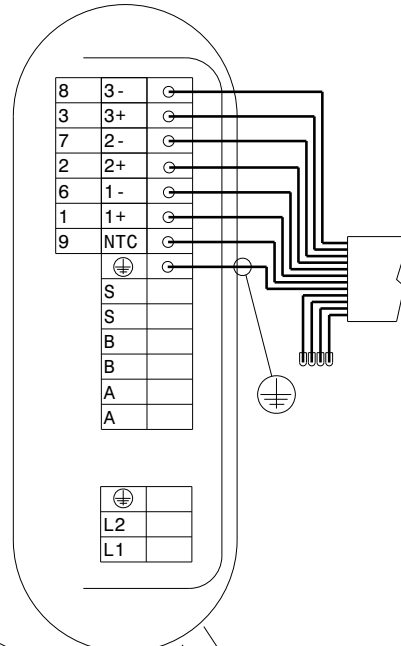
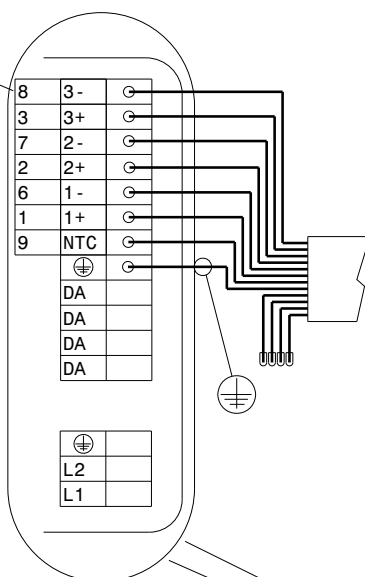
Max Nr. GWP30031/32 - 400 V				
MCB:	10A	16A	20A	25A
Type B	0	1	1	1
Type C	1	1	2	3
Type D	1	2	2	3



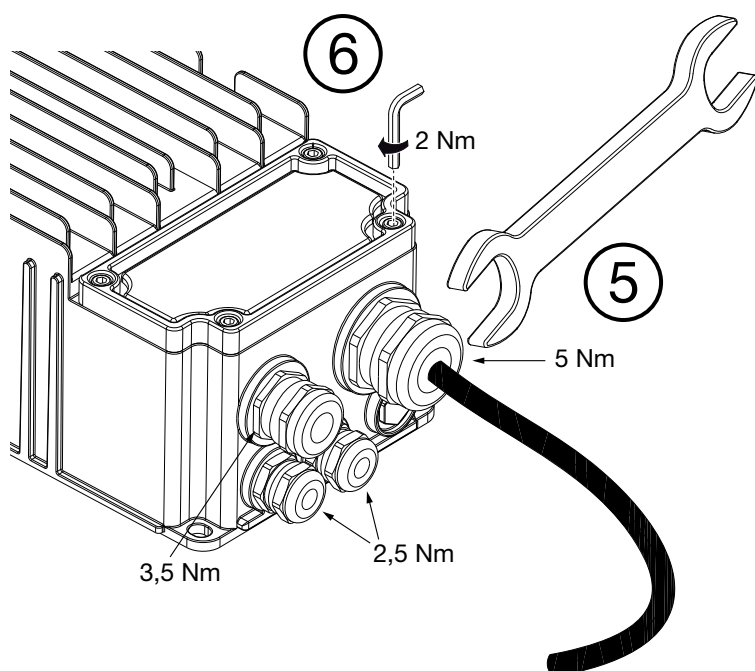
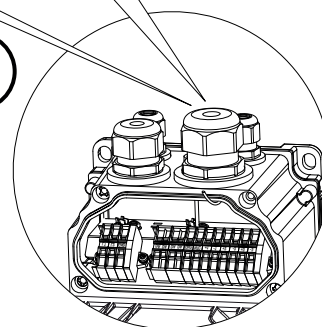


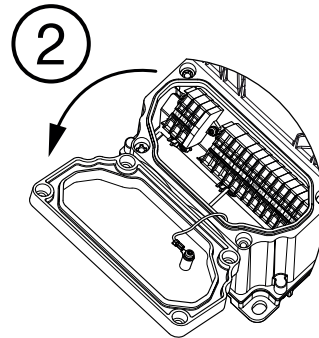
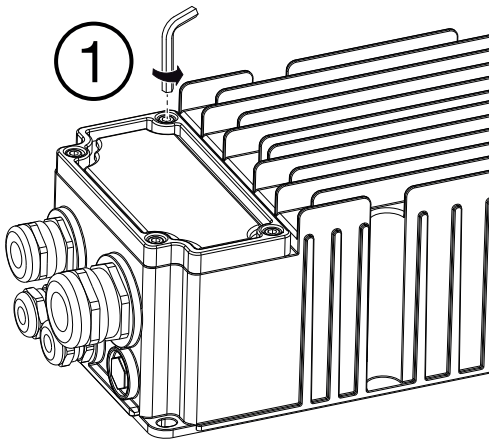
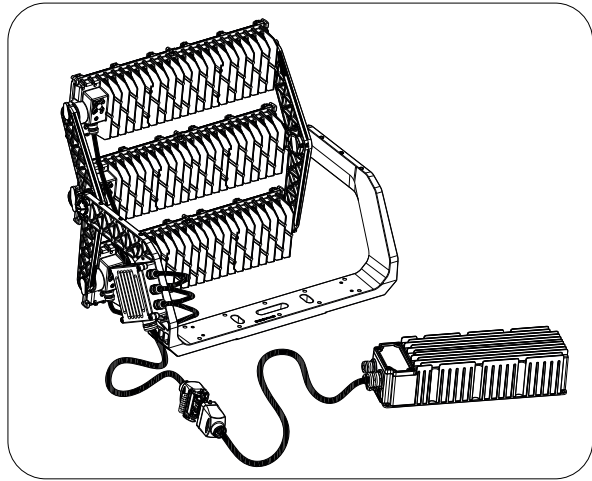
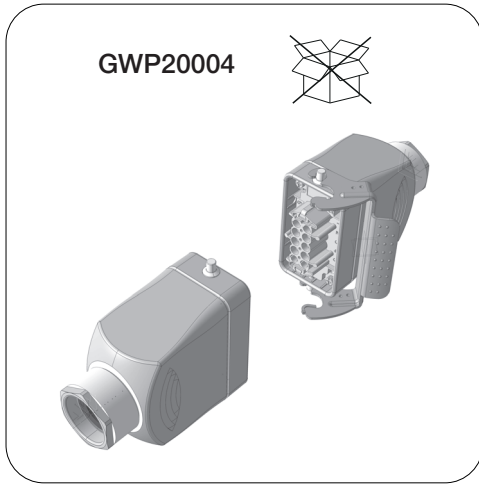
GWP30031 - DALI

GWP30032 - DMX

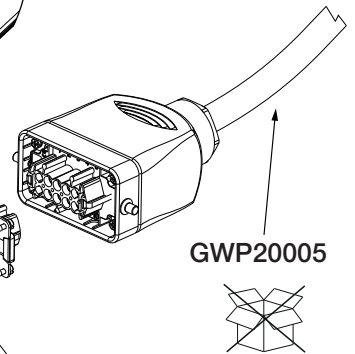


4

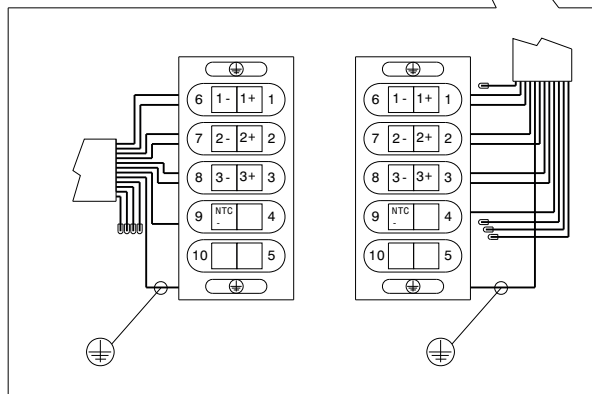
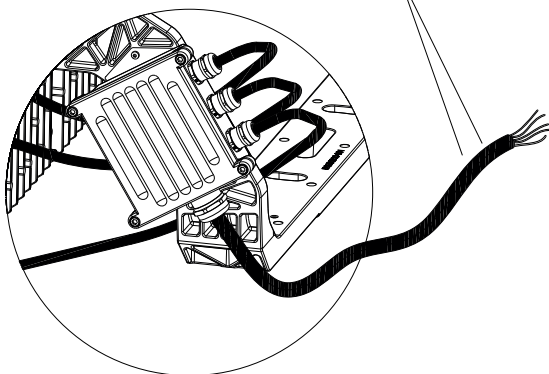




3

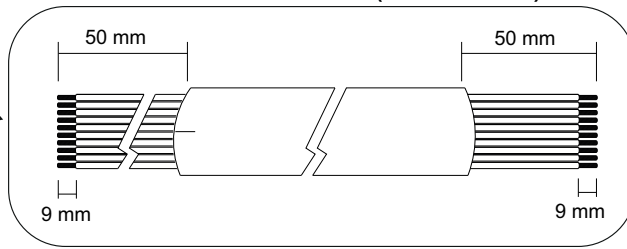


Ø16 ÷ 17 mm

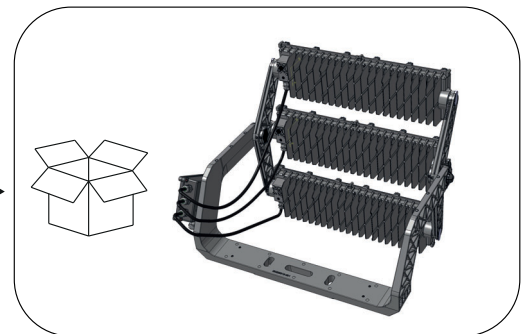
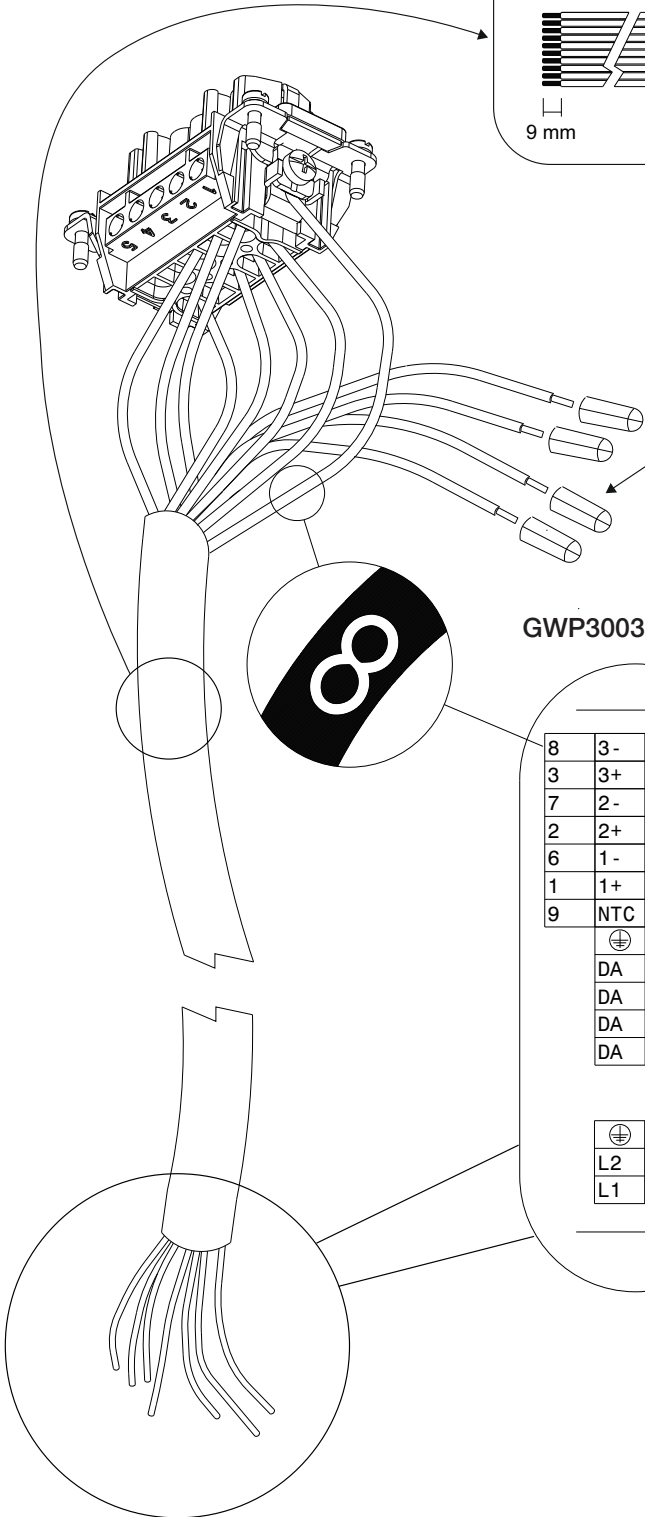
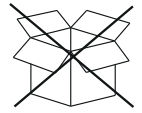




H07RN-F 12x1,5 (Max 50 m)

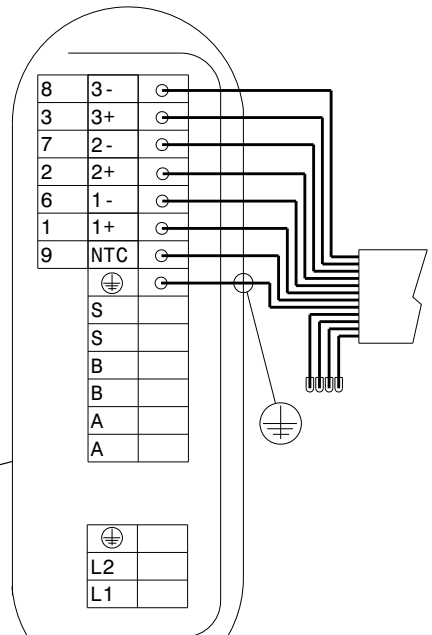
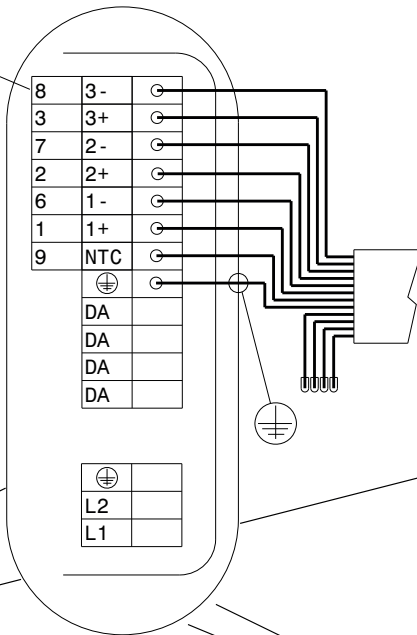


GWP20005

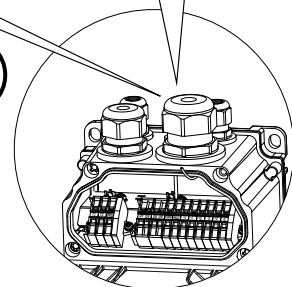


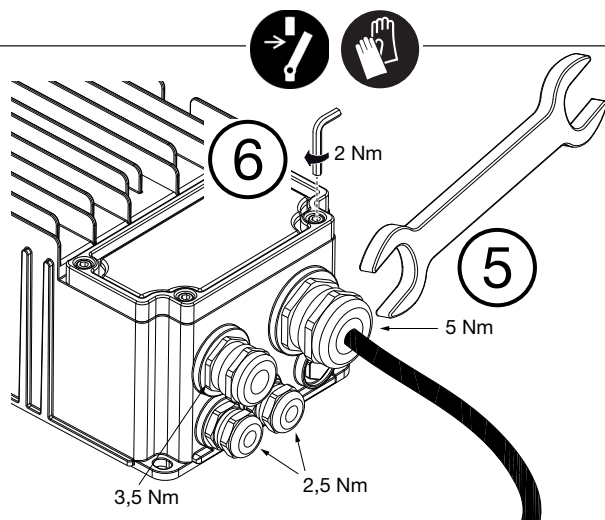
GWP30031 - DALI

GWP30032 - DMX

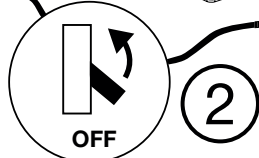
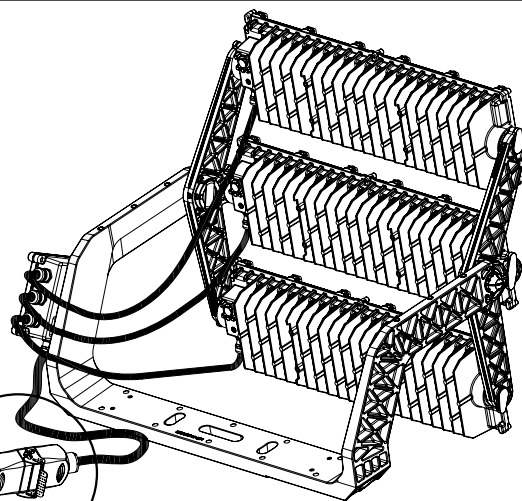
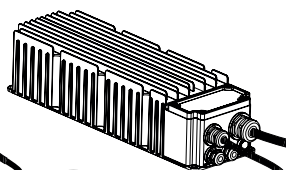
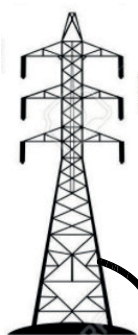


4

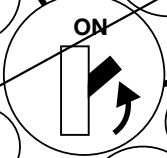
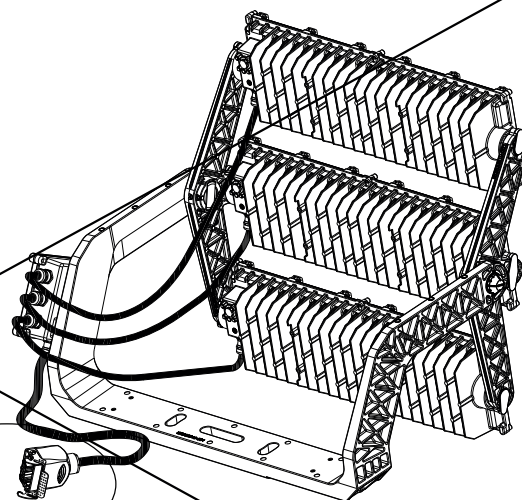
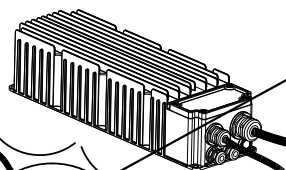


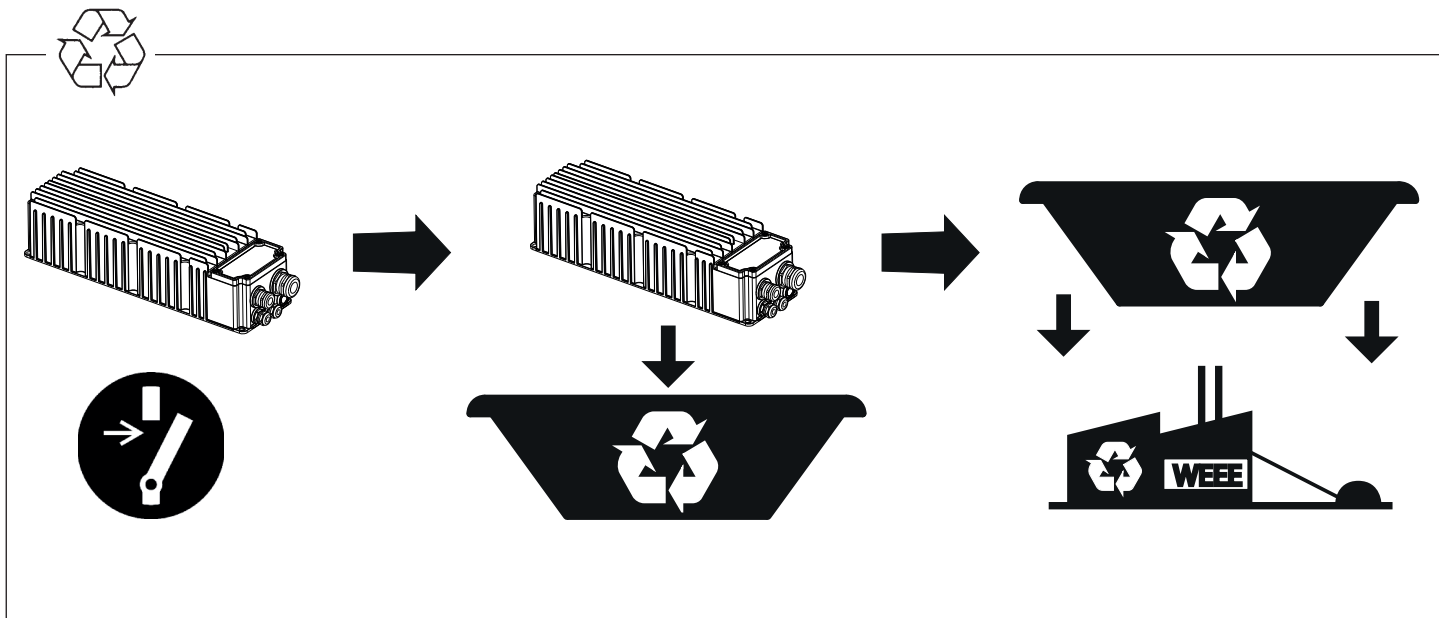


OK



KO





Punto di contatto indicato in adempimento ai fini delle direttive e regolamenti UE applicabili:

Contact details according to the relevant European Directives and Regulations:

GEWISS S.p.A. Via A.Volta, 1 IT-24069 Cenate Sotto (BG) Italy tel: +39 035 946 111 E-mail: qualitymarks@gewiss.com



+39 035 946 111
8.30 - 12.30 / 14.00 - 18.00
lunedì - venerdì - monday - friday



+39 035 946 260



sat@gewiss.com
www.gewiss.com