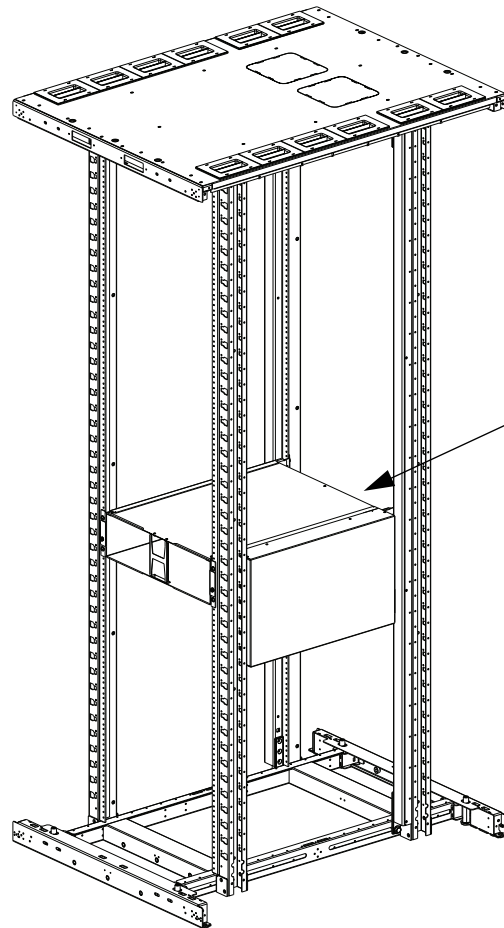


For a Net-Access Legacy or Net-Access N-Type Switch Cabinet (CN\*\*\* or N\*\*\*)

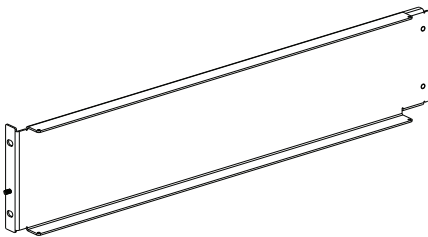
Rear of Cabinet  
(Hot Aisle)

Front of Cabinet  
(Cold Aisle)

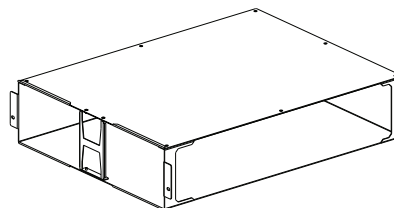


### Component Guide

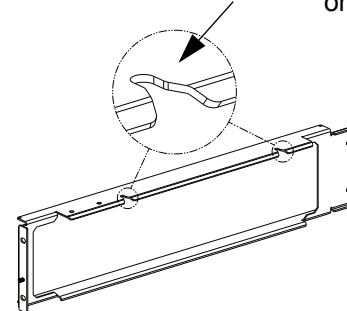
Note: Bracket Has (2) Notches on the Top



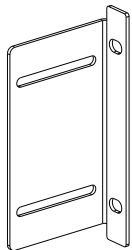
(1) Left Hand Bracket



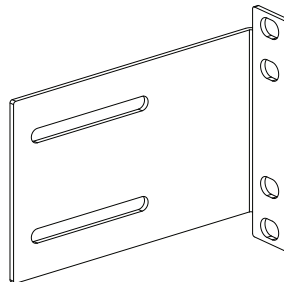
(1) Inlet Duct Box



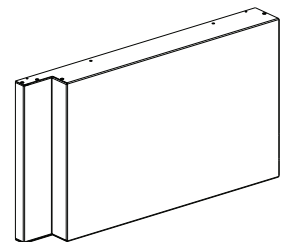
(1) Right Hand Bracket



(2) Adjustable Brackets



(1) Side Duct Mounting Bracket



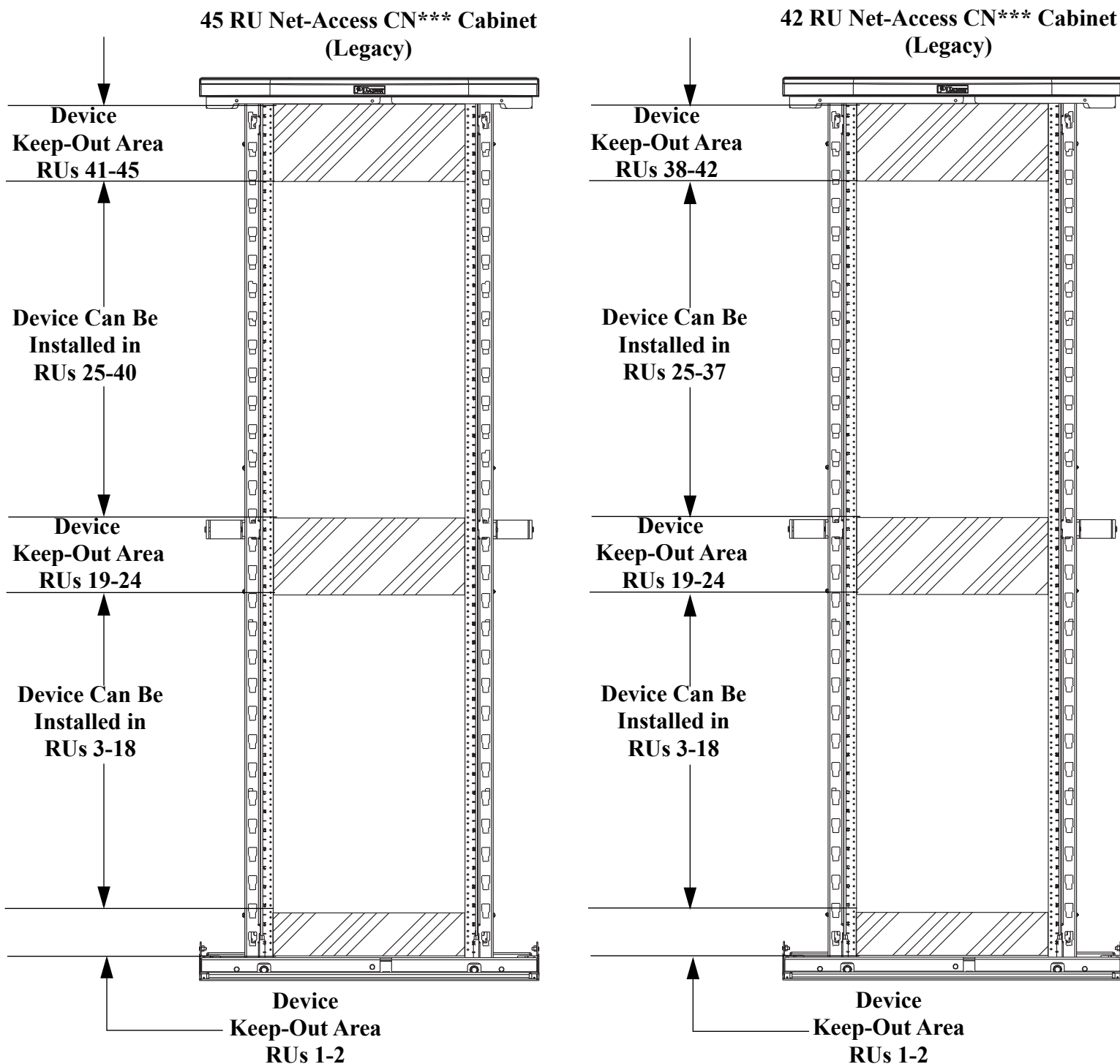
(1) Side Duct

# STEP 1

## Device Placement (Legacy Cabinets Only)

- Due to physical constraints posed by the front-to-back beams on the Net-Access Legacy cabinet, there are certain areas of the cabinet that the device can not be mounted in when used in conjunction with this inlet duct.
- For Net-Access Legacy cabinets, front equipment rails need to be in full forward position and the rear equipment rails need to be 24.25" - 26.12" back.

**NOTES: Numbers-up RU numbering (#1 at bottom) assumed.**



For Technical Support: [www.panduit.com/resources/install\\_maintain.asp](http://www.panduit.com/resources/install_maintain.asp)

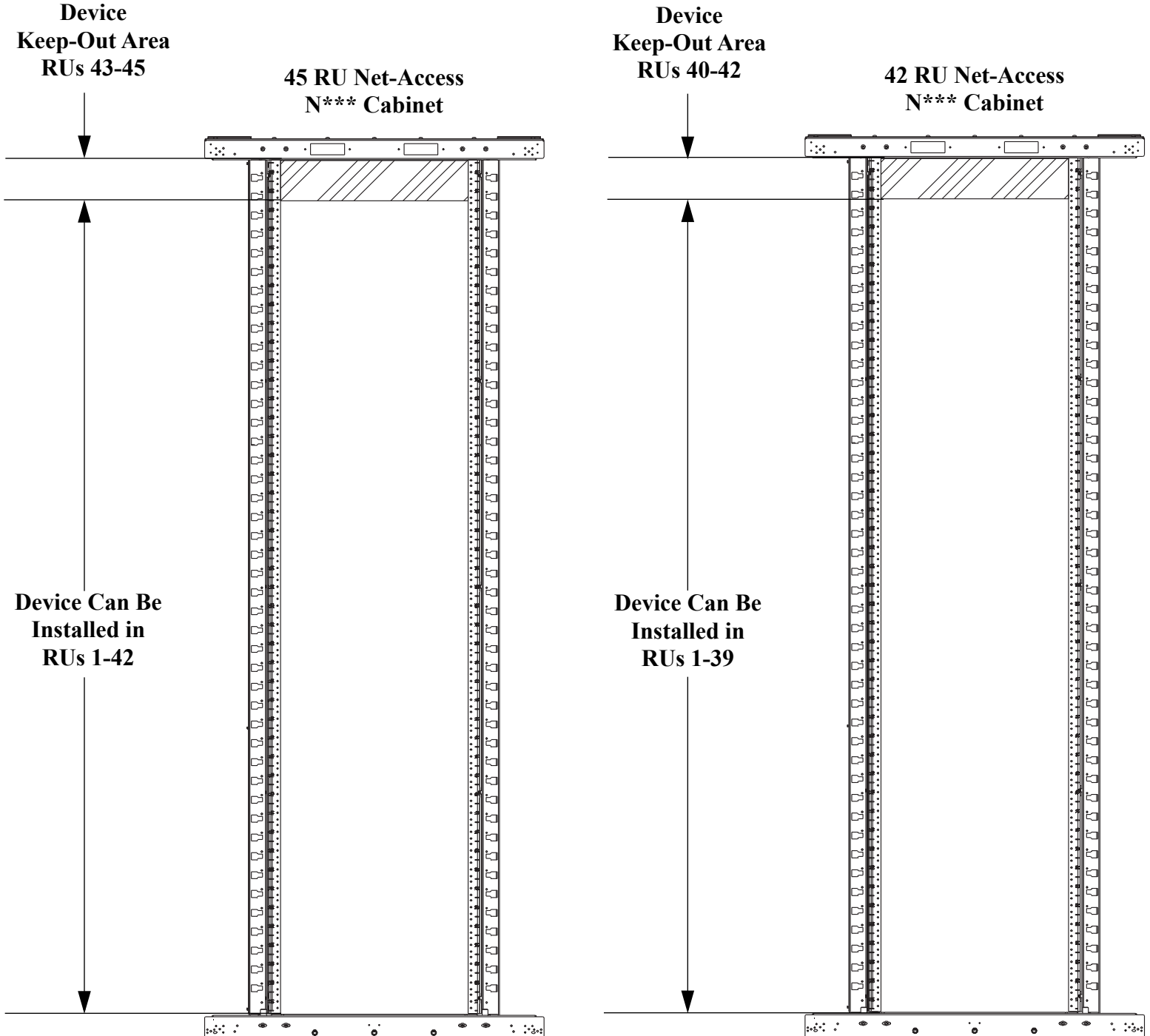
## STEP 2

### Device Placement (N-Type Cabinets Only)

- For Net-Access (N\*\*\*) Cabinets, there are no device keep out areas. The only restriction on the switch placement is that 3 RU must be left open above the switch.
- For Net-Access (N\*\*\*) cabinets, front equipment rails need to be in full forward position and the rear equipment rails need to be 24.25" - 26.12" back.

#### NOTES:

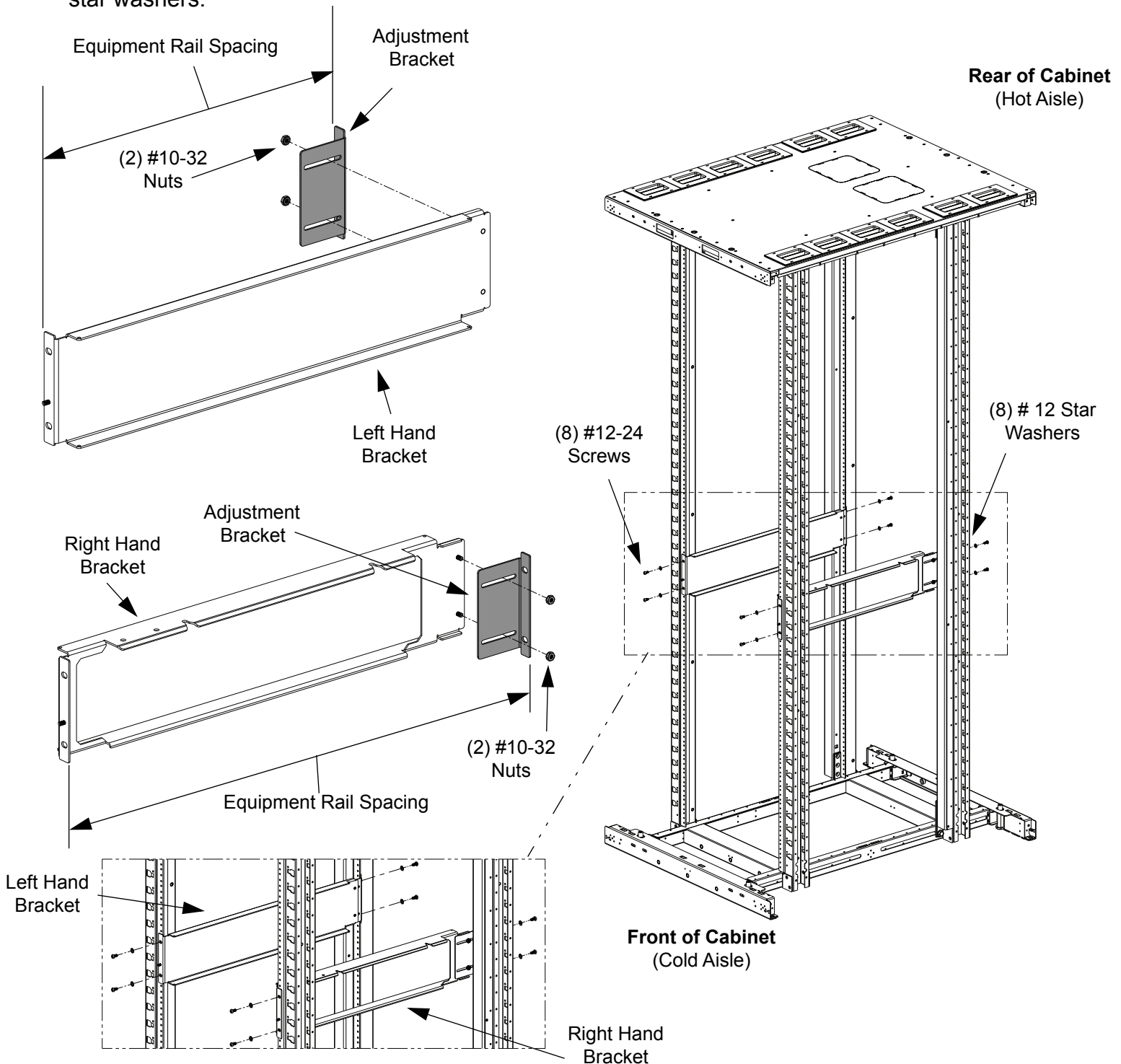
Numbers-up RU numbering (#1 at bottom) assumed.



## STEP 3

### Left / Right Hand Bracket Installation

- Using (2) #10-32 nuts, attach (1) adjustment bracket to the left hand bracket. Set adjustment bracket to fit equipment rail spacing.
- Using (2) #10-32 nuts, attach (1) adjustment bracket to the right hand bracket. Set adjustment bracket to fit equipment rail spacing.
- Attach the left hand and right hand brackets to the cabinet with (8) #12-24 screws and (8) #12 star washers.

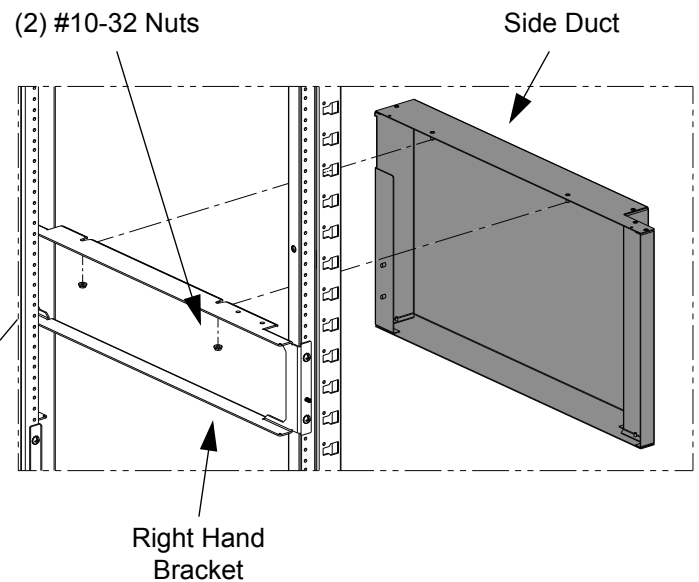
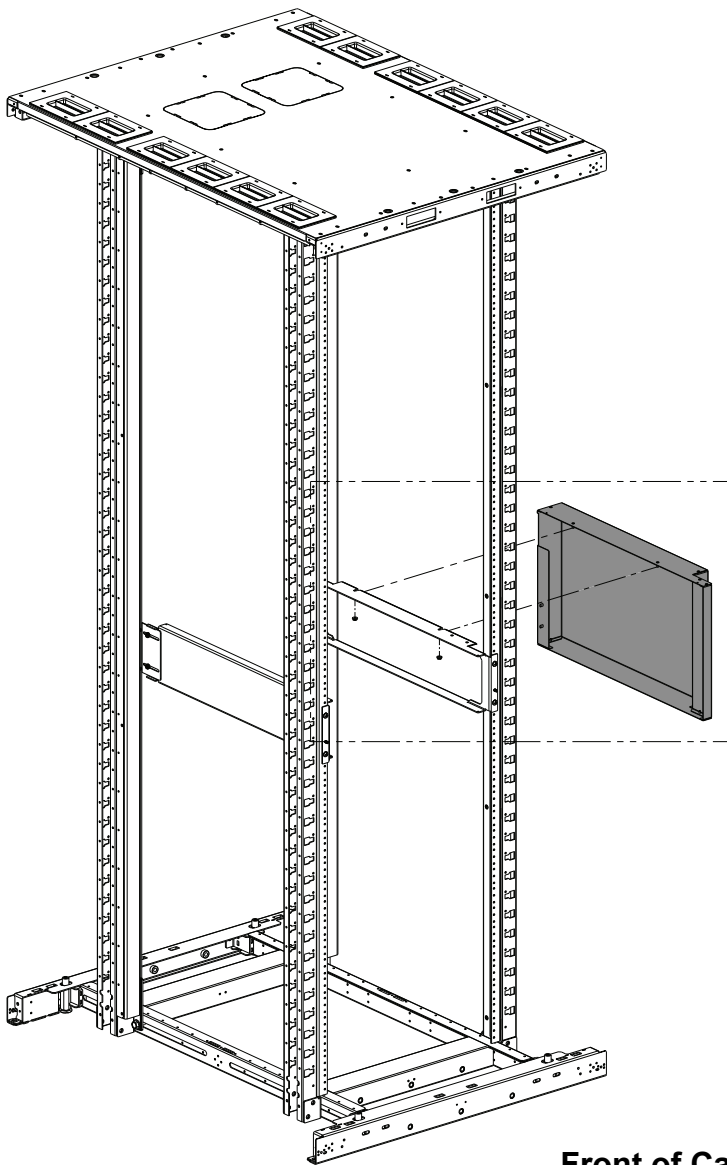


## STEP 4

### Attaching Side Duct to Right Hand Bracket (Day 1 Installation)

- Slide the (2) threaded studs on the side duct into the (2) slots in the right hand bracket.
- Secure the side duct to the right hand bracket with (2) #10-32 nuts.

Rear of Cabinet  
(Hot Aisle)

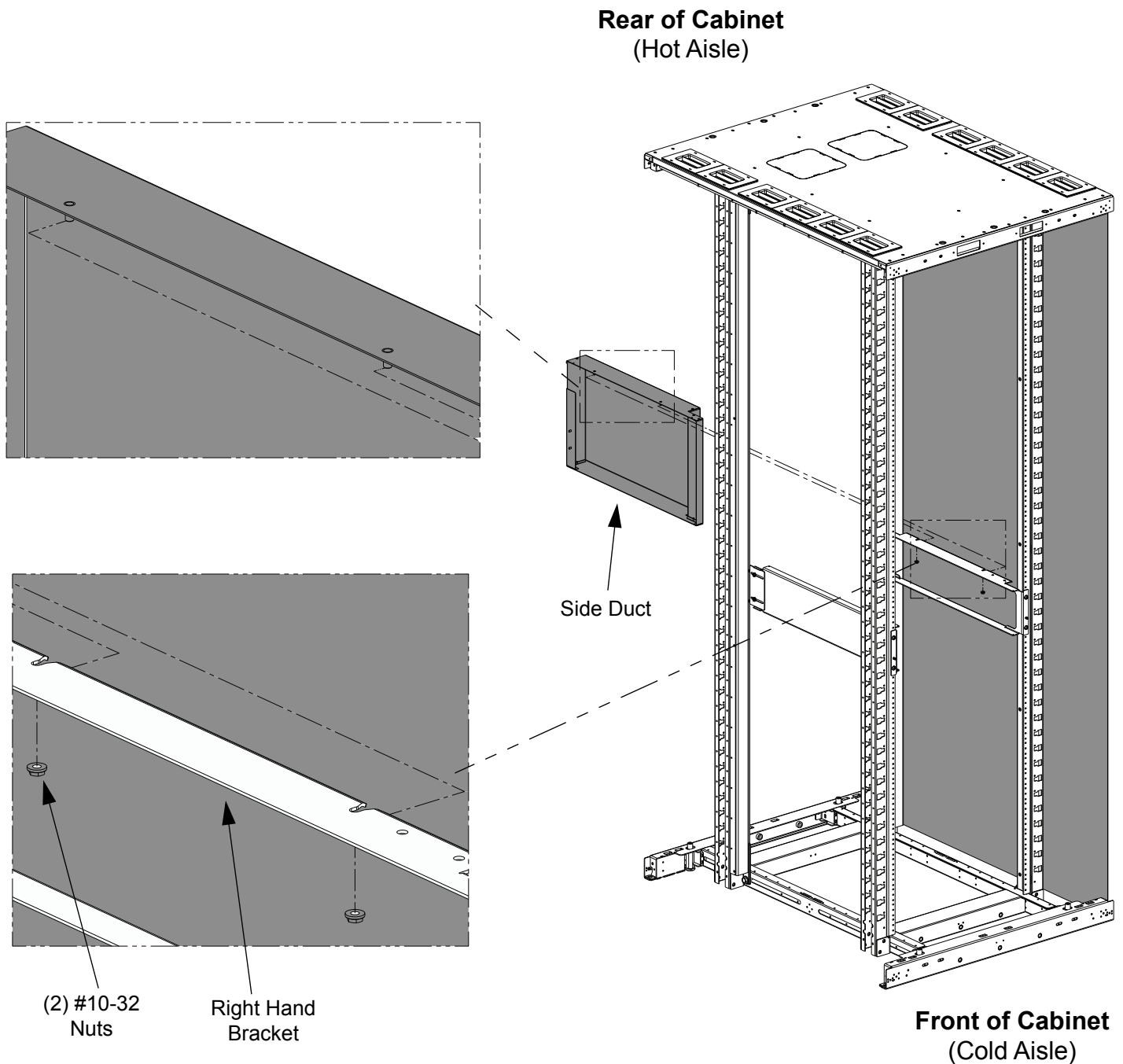


Front of Cabinet  
(Cold Aisle)

## STEP 5

### Attaching Side Duct to Right Hand Bracket (Day 2 Installation)

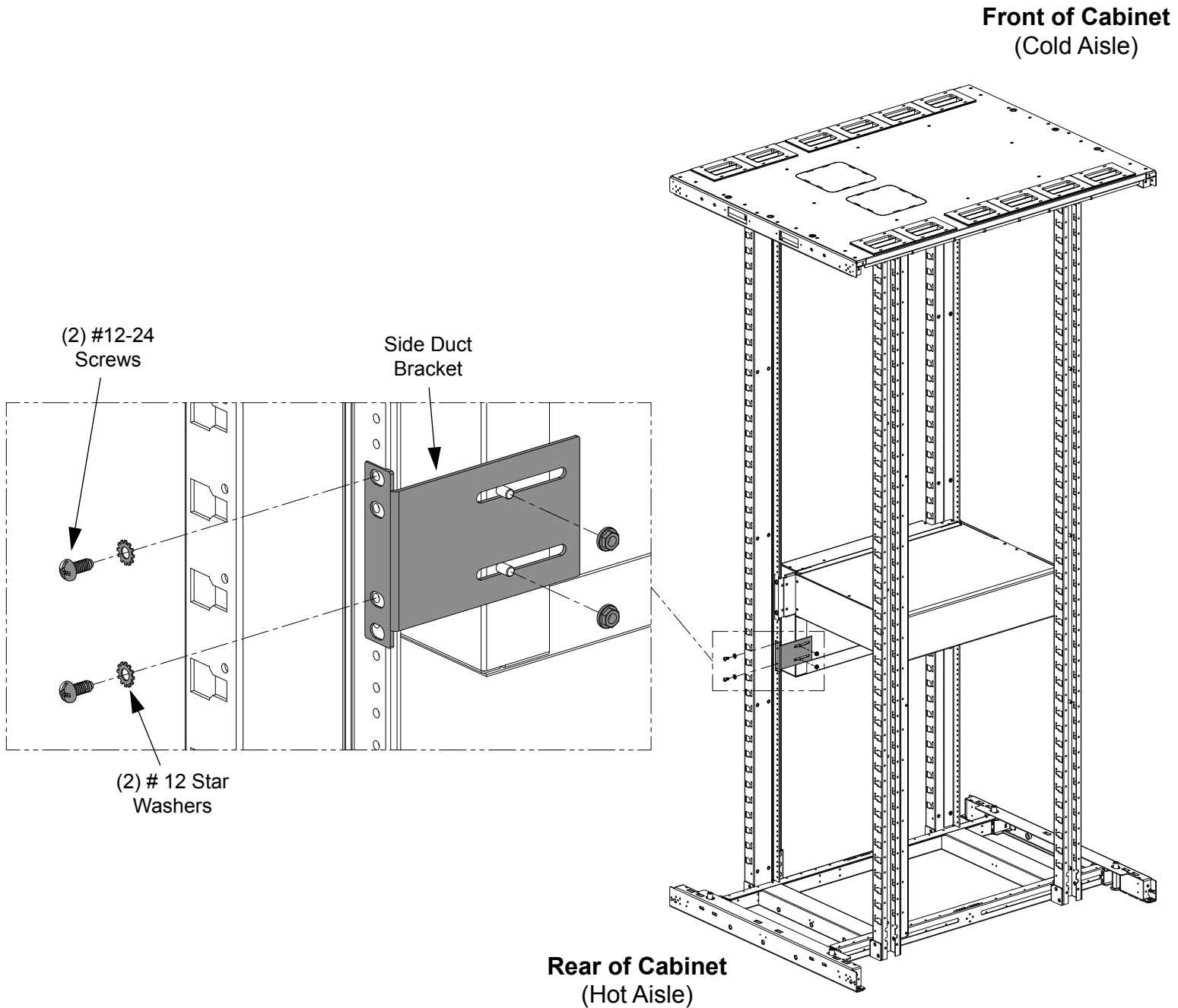
- From the Rear of the cabinet, slide the side duct into place with the (2) threaded studs on the side duct into the (2) slots in the right hand side bracket.
- Secure side duct to right hand bracket with (2) #10-32 nuts.



## STEP 6

### Attaching Side Duct Bracket B

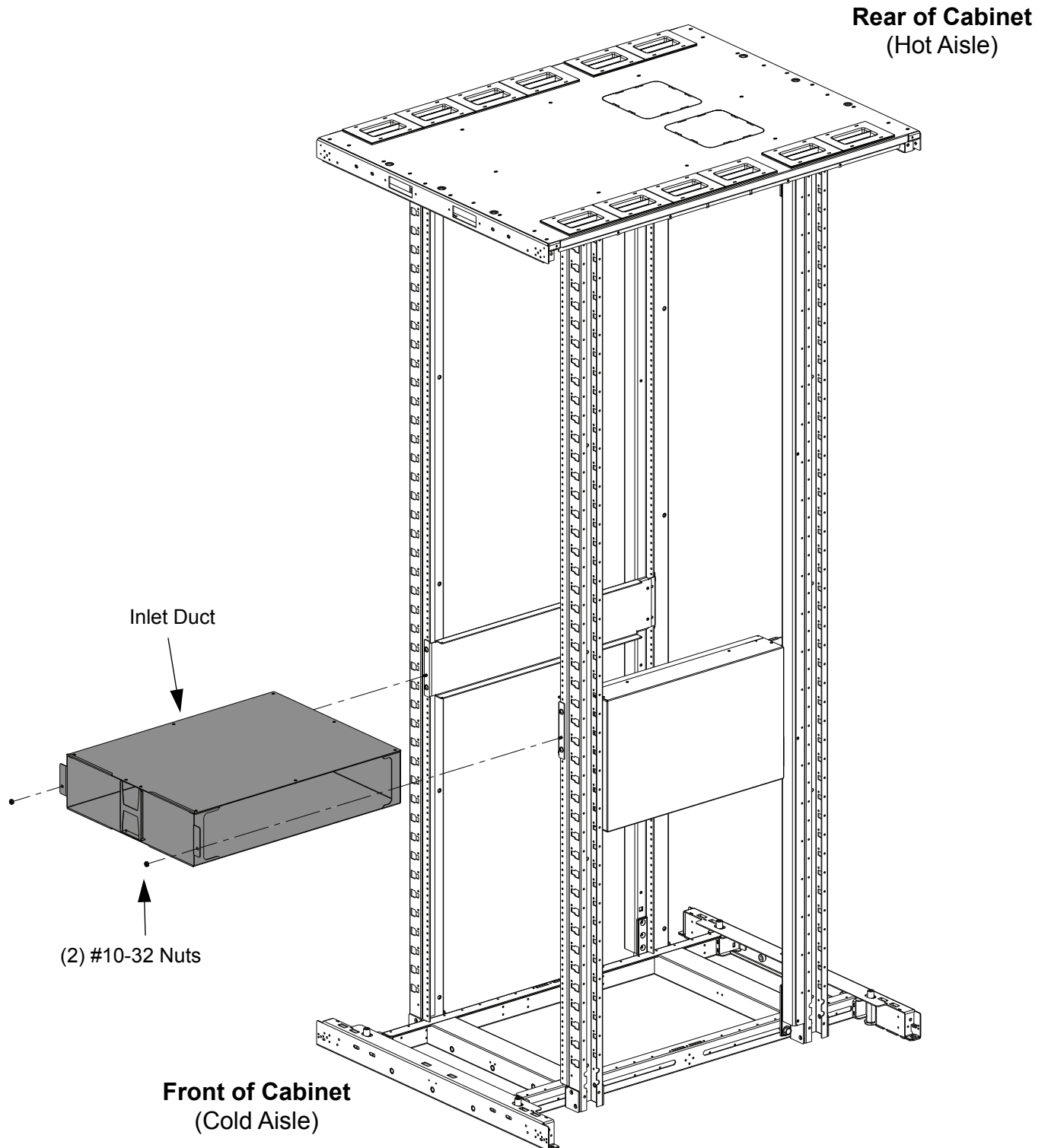
- Secure side duct bracket to the cabinet with (2) #12-24 screws and (2) #12 star washers.
- Using (2) #10-32 nuts, attach side duct bracket to side duct.



## STEP 7

### Installing Inlet Duct Box

- Install the inlet duct box by sliding the box into the left hand and right hand brackets, along built in guide flanges and securing with (2) #10-32 nuts.



For Instructions in Local Languages  
and Technical Support:

[www.panduit.com/resources/install\\_maintain.asp](http://www.panduit.com/resources/install_maintain.asp)

**PANDUIT**  
[www.panduit.com](http://www.panduit.com)

E-mail:  
[techsupport@panduit.com](mailto:techsupport@panduit.com)

Phone:  
866-405-6654