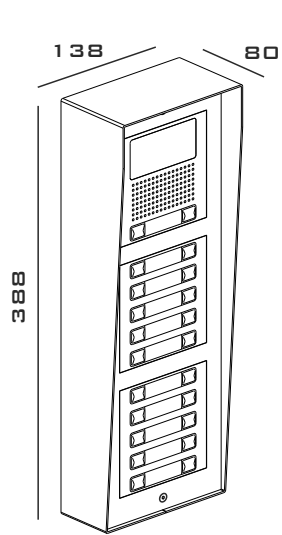


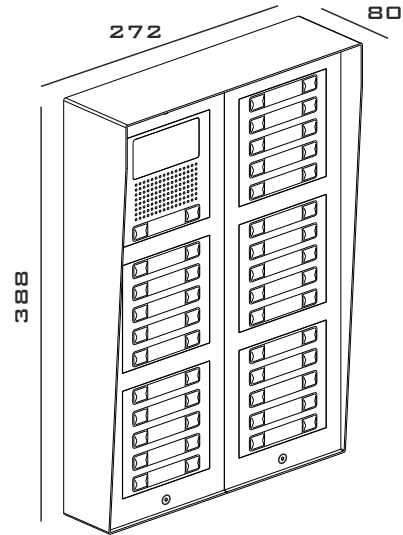
# CAJA VISERA INOX MODULAR INOX MODULAR RAIN SHIELD COVER BOX



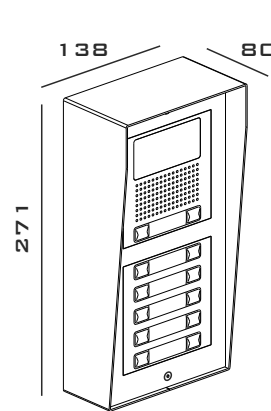
REV.0116



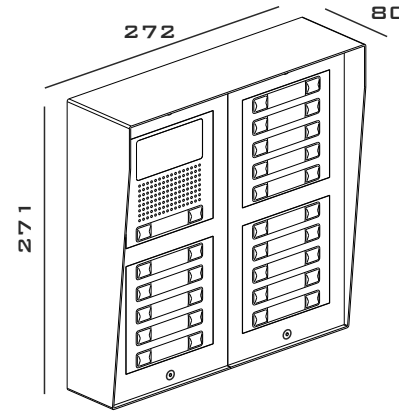
REF. NX873



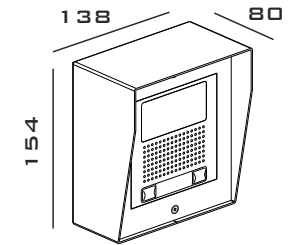
REF. NX876



REF. NX872

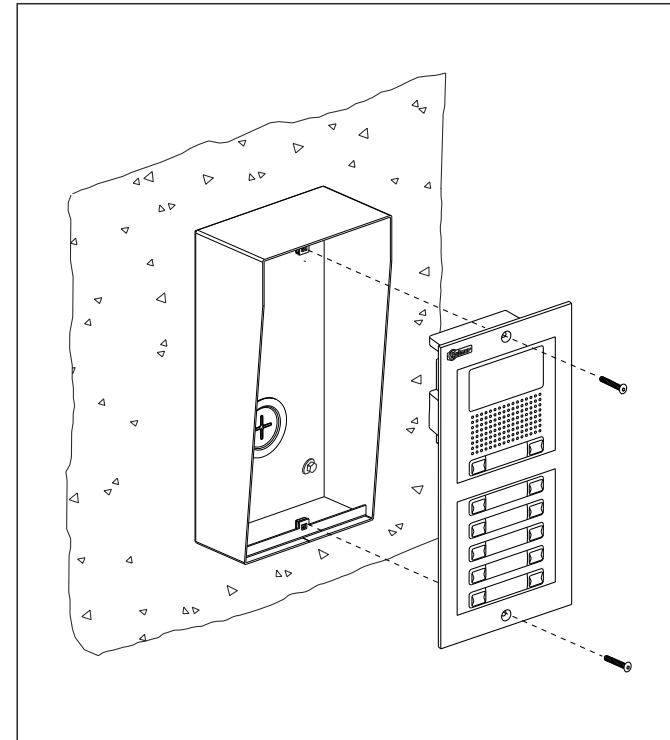
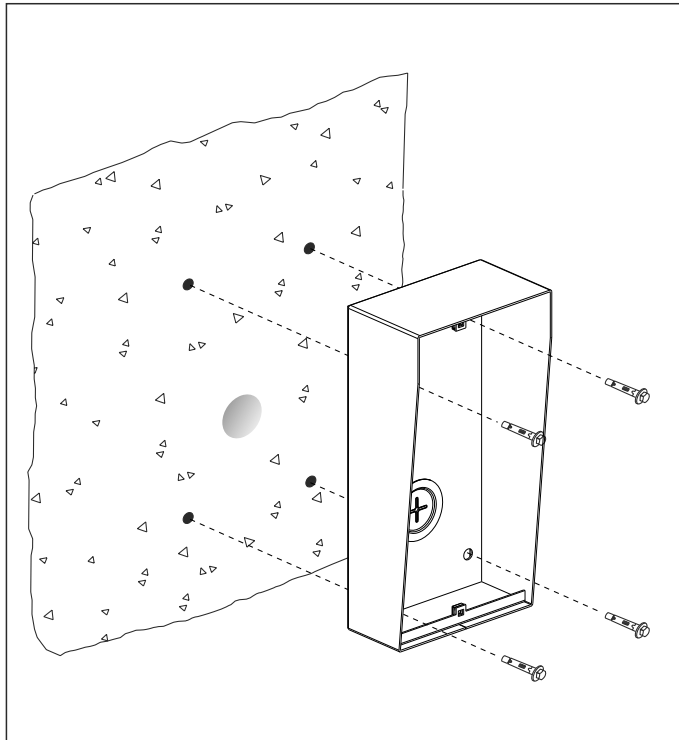


REF. NX874



REF. NX871

1. MARCAR, TALADRAR (Φ8)  
Y ATORNILLAR.  
1. MARK, DRILL (Φ8) AND FIX.



2. COLOCAR PLACA  
2. FIX THE PANEL



Cód. 50124634