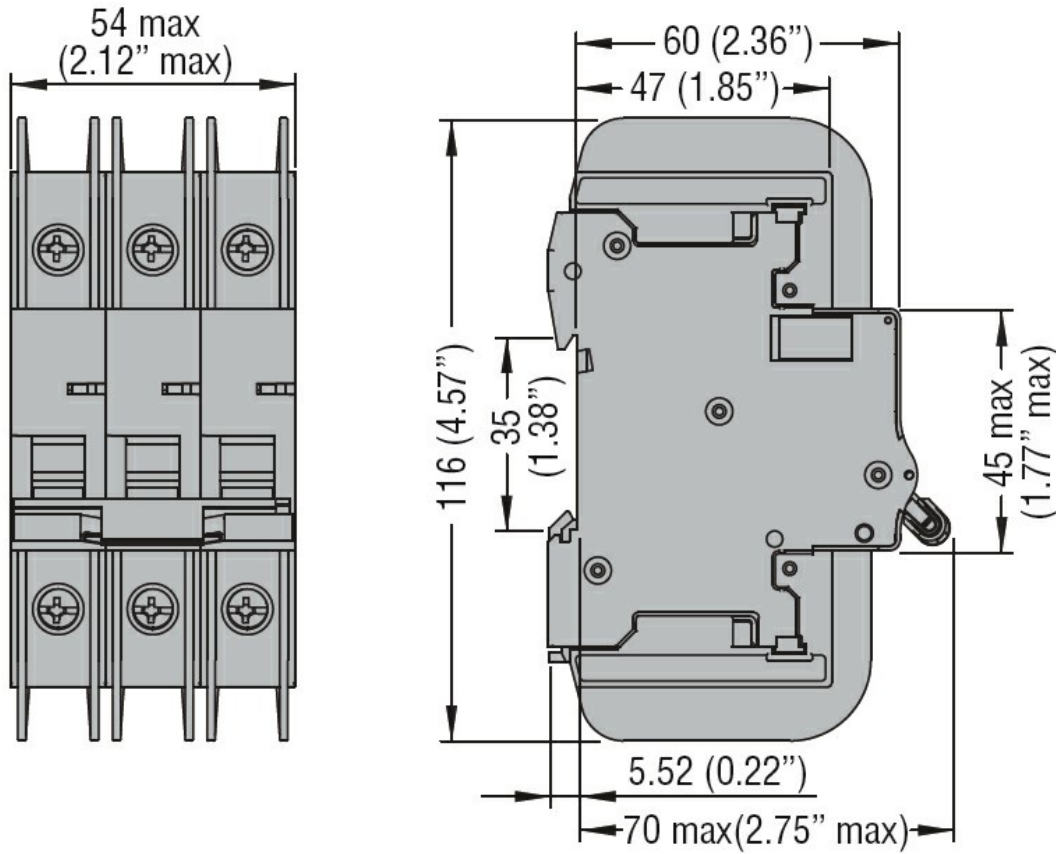




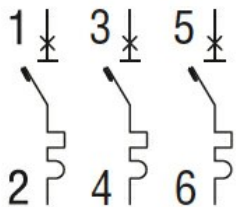
|   |                                 |                 |               |
|---|---------------------------------|-----------------|---------------|
| Product designation                       | Miniature circuit breaker (MCB) |                 |               |
| Product type designation                  | P1 MB                           |                 |               |
| Number of poles                           | 3P                              |                 |               |
| Number of DIN modules                     | 3                               |                 |               |
| Compliance                                | IEC / UL489                     |                 |               |
| <b>Electrical features</b>                |                                 |                 |               |
| Rated insulation voltage $U_i$ IEC/EN     | V                               | 440             |               |
| Rated impulse withstand voltage $U_{imp}$ | kV                              | 4               |               |
| Rated operational voltage AC (IEC)        | VAC                             | 230/400         |               |
| Rated operational voltage AC (UL)         | V                               | 480Y/277        |               |
| Rated frequency                           | Hz                              | 50/60           |               |
| Rated current ( $I_n$ )                   | A                               | 1.6             |               |
| Tripping curve                            | C                               |                 |               |
| Short circuit rating (IEC)                | kA                              | 10              |               |
| Short circuit rating (UL)                 | kA                              | 10              |               |
| Electrical life                           | cycles                          | 10000           |               |
| Power dissipation per pole max            | W                               | 0.96            |               |
| <b>Ambient conditions</b>                 |                                 |                 |               |
| Operating temperature                     | min                             | °C              | -40           |
|   | max                             | °C              | +70           |
| Storage temperature                       | min                             | °C              | -40           |
|   | max                             | °C              | +80           |
| Max altitude                              | m                               | 2000            |               |
| <b>Mechanical features</b>                |                                 |                 |               |
| Operating position                        | normal                          |                 | Vertical plan |
|   |                                 |                 | 35mm DIN rail |
| Fixing                                    |                                 |                 |               |
| Tightening torque for terminals           | min                             | Nm              | 1.8           |
|   | max                             | Nm              | 2             |
|   | min                             | lbin            | 16            |
|   | max                             | lbin            | 17.7          |
| Terminals tool                            | Pz 2                            |                 |               |
| Conductor section                         | IEC                             |                 |               |
|   | min                             | mm <sup>2</sup> | 1             |
|   | max                             | mm <sup>2</sup> | 35            |
|   | AWG/Kcmil                       |                 |               |
|   | min                             |                 | 14            |
|   | max                             |                 | 6             |
| Mechanical life                           | cycles                          | 20000           |               |
| Weight                                    | g                               | 388             |               |

|                   |      |
|-------------------|------|
| Frontal IP degree | IP20 |
| Pollution degree  | 2    |

**Dimensions**



**Wiring diagrams**



**Certifications and compliance**

|                |                |
|----------------|----------------|
| Compliance     | IEC/EN 60947-2 |
|                | UL489          |
| Certifications | cULus          |
|                | EAC            |

**ETIM classification**

|          |  |
|----------|--|
| ETIM 8.0 | EC000042 - Miniature circuit breaker (MCB) |
|----------|--|