

TECHNICAL DATA

Product type	HDMI feedthrough adapter
Product NO.	SAHDMIWB

SAHDMIWB Product Appearance



Product features

- ✓ As a transmission chassis connector for audio or video, widely used in digital TV and computer video transmission, including high-definition video (HDTV)
- ✓ Standard HDMI1.3 conversion joint, both ends designed for 19 pins
- ✓ Provide grounding connection are available to choose.
- ✓ Standard D-Version installation, great convenience for engineering using

Technical parameters

1. Product parameters

Connection Type	Adapter
Gender	female

2. Mechanical parameters

Chassis shape	D
---------------	---

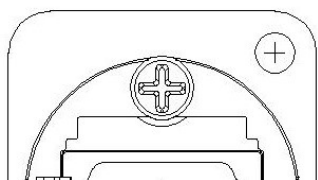
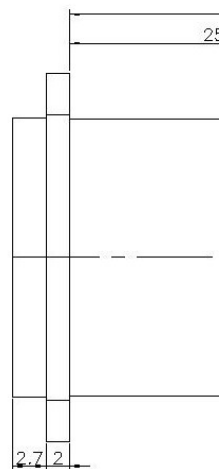
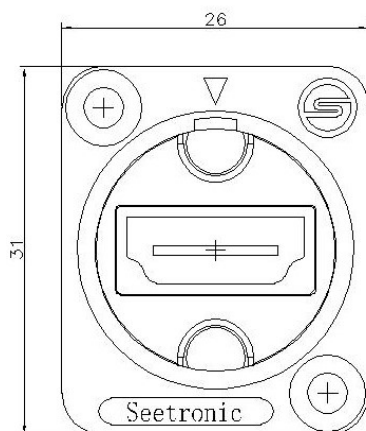
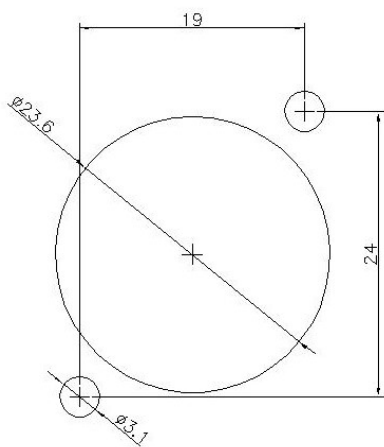
3. Material and environmental parameters

Contacts	Cu alloy
Contact plating	Au
Insert	PBT
Shell	Zinc diecast (ZnAl4Cu1)
Shell plating	Black coating
Flame-retardant grade	UL 94-V0
Temperature range	-25°C to +85°C

4. Standard

Standard	HDMI 2.0 specifications
----------	-------------------------

Product Profile



mm

Installation instructions

Mounting direction: Front