

NOTES:

RATED VOLTAGE: MAX. 63V AC/DC
 RATED CURRENT: MAX. 16A at 40°C (derating has to be considered)
 IP RATING: IP67 (mated and locked condition)
 TEMPERATURE RANGE: -25°C TO +85°C

CABLE PRINTING (sequence as shown below):

- MOLEX engineering no. (see page 2)
- MOLEX material no. (see page 2)
- MOLEX MAX. 63V AC/DC MAX. 16 A USL
- MOLEX AND DATE OF MANUFACTURING (YY=YEAR; WW=WEEK): MXYWW
- Not for current interrupting
- PROFINET 24V Power 4x2,5 + FE

PART ACCORDING PRODUCT SPEC: 1205010169
 PACKAGING ACCORDING PACKAGING SPEC: 1201202000

TABLE 1

POS	DESCRIPTION	MATERIAL	FINISH
1	NUT M12 FE	BRASS	Ni
2	NUT M12 MA	BRASS	Ni
3	CONTACT 15 MA	BRASS	Au
4	CONTACT 15 FE	BRASS	Au
5	INSERT FEMALE	PA	GREY
6	INSERT MALE	PA	GREY
7	OVERMOLD	TPE	BLACK
8	CABLE 5x2.5 D11.3 WSOR	PUR	GREY
9	GASKET OR 8.2X1.25	FKM	BLACK
OPTIONAL 10	ID CARRIER	-	-

THIS DRAWING CONTAINS INFORMATION THAT IS PROPRIETARY TO MOLEX ELECTRONIC TECHNOLOGIES, LLC AND SHOULD NOT BE USED WITHOUT WRITTEN PERMISSION

FUNCTIONAL SYMBOLS: $\sqrt{A} = 0$, $\sqrt{E} = 0$, $\sqrt{V} = 0$

DIVISIONAL SYMBOLS: 4 PLACES ±, 3 PLACES ±, 2 PLACES ± 0.05, 1 PLACE ± 0.3, 0 PLACES ± 0.5

SCALE: 2:1

GENERAL TOLERANCES (UNLESS SPECIFIED): ANGULAR TOL ± 1.0°

OPTIONAL: DRAFT WHERE APPLICABLE MUST REMAIN WITHIN DIMENSIONS

THIRD ANGLE PROJECTION:

DRAWING: A3-SIZE

SERIES: 120501

MATERIAL NUMBER: SEE TABLE 2

CUSTOMER: GENERAL MARKET

SHEET NUMBER: 1 OF 2

EC NO: 776660
 DRWN: RSCHEIBER 2024/02/08
 CHK'D: RSILLER 2024/02/09
 APPR: RSILLER 2024/02/09

INITIAL REVISION:
 DRWN: FDAFERNER 2020/01/30
 APPR: RSILLER 2021/03/15

CURRENT REV DESC: NEW P/N'S ADDED

molex

CSE M12 5P LC FE STR MA STR WSOR GY XM

PRODUCT CUSTOMER DRAWING

DOCUMENT NUMBER: 1205010100
 DOC TYPE: PSD
 DOC PART: 000
 REVISION: A3

ENGINEERING NO - NUMERICAL CODE (Available parts see PART LIST table. Other parts available upon request).

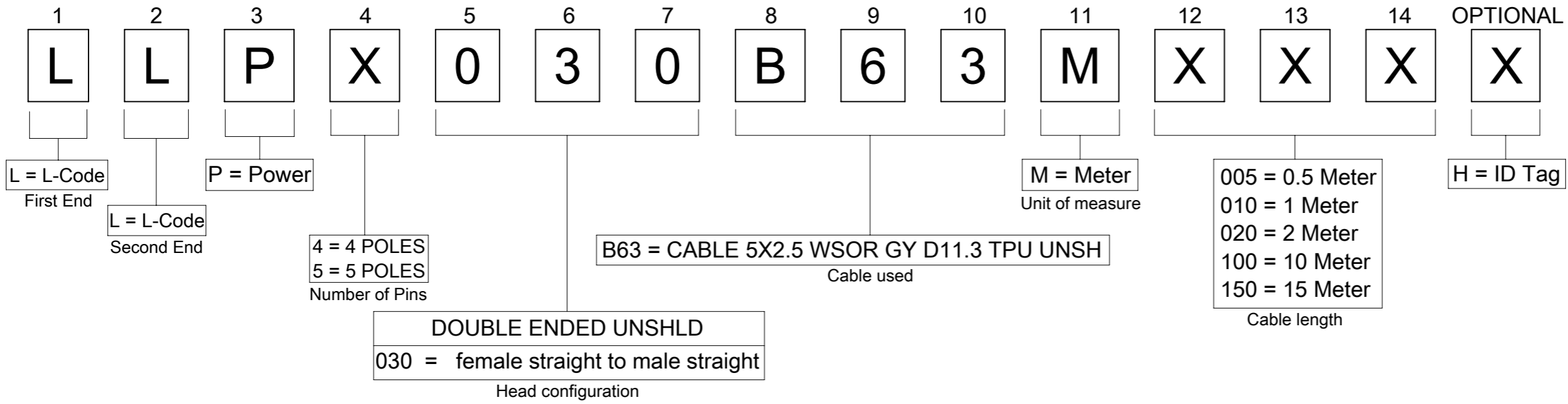


TABLE 2

NOMINAL SECTION 2,5mm ²			
MATERIAL NO.	ENGINEERING NO.	L [mm]	TOLERANCE [mm]
1205010283	LLP5030B63M003	300	+40
1205010100	LLP5030B63M005	500	+40
1205010286	LLP5030B63M070	700	+40
1205010101	LLP5030B63M010	1000	+40
1205010102	LLP5030B63M020	2000	+60
1205010103	LLP5030B63M030	3000	+60
1205010284	LLP5030B63M040	4000	+60
1205010104	LLP5030B63M050	5000	+60
1205010285	LLP5030B63M060	6000	+80
1205010286	LLP5030B63M070	7000	+80
1205010287	LLP5030B63M080	8000	+80
1205010105	LLP5030B63M100	10000	+80
1205010288	LLP5030B63M120	12000	+140
1205010289	LLP5030B63M140	14000	+140
1205010106	LLP5030B63M150	15000	+140
1205010290	LLP5030B63M180	18000	+160
1205010107	LLP5030B63M200	20000	+160
1205010291	LLP5030B63M230	23000	+160
1205010292	LLP5030B63M270	27000	+160
1205010293	LLP5030B63M300	30000	+160
1205010294	LLP5030B63M340	34000	+350
1205010295	LLP5030B63M380	38000	+380
1205010296	LLP5030B63M420	42000	+420
1205010297	LLP5030B63M460	46000	+460
1205010298	LLP5030B63M500	50000	+500
1205010299	LLP5030B63M540	54000	+540
1205010300	LLP5030B63M570	57000	+570
1205010301	LLP5030B63M610	61000	+610

NOMINAL SECTION 2,5mm ²					
MATERIAL NO.	ENGINEERING NO.	L [mm]	TOLERANCE [mm]	QYT.	ID CARRIER
1205010169	LLP5030B63M005H	500	+40	2	
1205010170	LLP5030B63M010H	1000	+40	2	
1205010164	LLP5030B63M020H	2000	+60	2	
1205010165	LLP5030B63M030H	3000	+60	2	
1205010036	LLP5030B63M050H	5000	+60	2	
1205010037	LLP5030B63M100H	10000	+80	2	
1205010035	LLP5030B63M150H	15000	+140	2	
1205010039	LLP5030B63M200H	20000	+160	2	
1205010040	LLP5030B63M250H	25000	+160	2	
1205010038	LLP5030B63M300H	30000	+160	2	
1205010166	LLP5030B63M350H	35000	+350	2	
1205010167	LLP5030B63M400H	40000	+400	2	
1205010168	LLP5030B63M450H	45000	+450	2	

FUNCTIONAL SYMBOLS	THIS DRAWING CONTAINS INFORMATION THAT IS PROPRIETARY TO MOLEX ELECTRONIC TECHNOLOGIES, LLC AND SHOULD NOT BE USED WITHOUT WRITTEN PERMISSION	CURRENT REV DESC: NEW P/N'S ADDED		molex																																		
	<table border="1"> <tr><td>FUNCTIONAL SYMBOLS</td><td>THIS DRAWING CONTAINS INFORMATION THAT IS PROPRIETARY TO MOLEX ELECTRONIC TECHNOLOGIES, LLC AND SHOULD NOT BE USED WITHOUT WRITTEN PERMISSION</td><td colspan="2">CURRENT REV DESC: NEW P/N'S ADDED</td></tr> <tr><td>▽/A = 0</td><td>mm</td><td>1:1</td><td></td></tr> <tr><td>▽/E = 0</td><td colspan="3">GENERAL TOLERANCES (UNLESS SPECIFIED)</td></tr> <tr><td>▽/V = 0</td><td colspan="3">ANGULAR TOL ± 1.0°</td></tr> <tr><td></td><td>4 PLACES</td><td>±</td><td></td></tr> <tr><td></td><td>3 PLACES</td><td>±</td><td></td></tr> <tr><td></td><td>2 PLACES</td><td>± 0.05</td><td></td></tr> <tr><td></td><td>1 PLACE</td><td>± 0.3</td><td></td></tr> <tr><td></td><td>0 PLACES</td><td>± 0.5</td><td></td></tr> </table>	FUNCTIONAL SYMBOLS	THIS DRAWING CONTAINS INFORMATION THAT IS PROPRIETARY TO MOLEX ELECTRONIC TECHNOLOGIES, LLC AND SHOULD NOT BE USED WITHOUT WRITTEN PERMISSION		CURRENT REV DESC: NEW P/N'S ADDED		▽/A = 0	mm	1:1		▽/E = 0	GENERAL TOLERANCES (UNLESS SPECIFIED)			▽/V = 0	ANGULAR TOL ± 1.0°				4 PLACES	±			3 PLACES	±			2 PLACES	± 0.05			1 PLACE	± 0.3			0 PLACES	± 0.5	
FUNCTIONAL SYMBOLS	THIS DRAWING CONTAINS INFORMATION THAT IS PROPRIETARY TO MOLEX ELECTRONIC TECHNOLOGIES, LLC AND SHOULD NOT BE USED WITHOUT WRITTEN PERMISSION	CURRENT REV DESC: NEW P/N'S ADDED																																				
▽/A = 0	mm	1:1																																				
▽/E = 0	GENERAL TOLERANCES (UNLESS SPECIFIED)																																					
▽/V = 0	ANGULAR TOL ± 1.0°																																					
	4 PLACES	±																																				
	3 PLACES	±																																				
	2 PLACES	± 0.05																																				
	1 PLACE	± 0.3																																				
	0 PLACES	± 0.5																																				
DIVISIONAL SYMBOLS	DRWN: RSCHEIBER	2024/02/09	2024/02/09	PRODUCT CUSTOMER DRAWING																																		
	CHK'D: RSILLER	2024/02/09																																				
	APPR: RSILLER																																					
	INITIAL REVISION:																																					
	DRWN: FDAFERNER	2020/01/30																																				
	APPR: RSILLER	2021/03/15																																				
	DRAFT WHERE APPLICABLE MUST REMAIN WITHIN DIMENSIONS	THIRD ANGLE PROJECTION	DRAWING	SERIES																																		
			A3-SIZE	120501																																		
			MATERIAL NUMBER	CUSTOMER																																		
			SEE TABLE 2	GENERAL MARKET																																		
			DOCUMENT NUMBER	DOC TYPE																																		
			1205010100	PSD																																		
			DOC PART	REVISION																																		
			000	A3																																		
			SHEET NUMBER																																			
				2 OF 2																																		