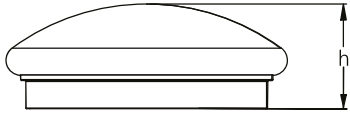
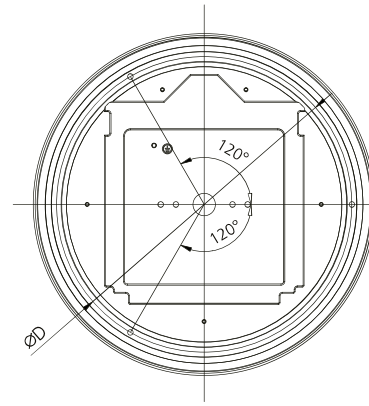


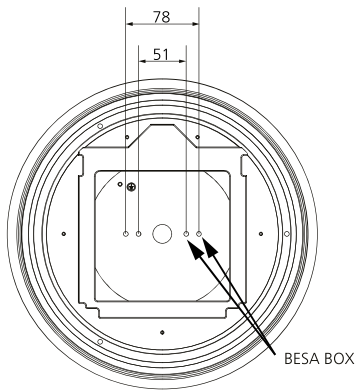
d = 330mm 18W  
d = 360mm 24W



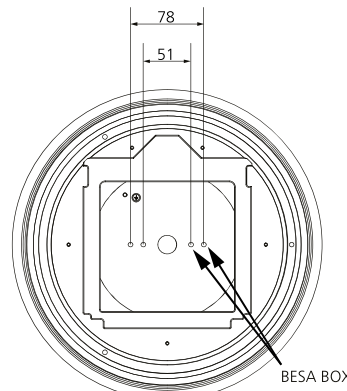
h = 96mm 18W  
h = 100mm 24W



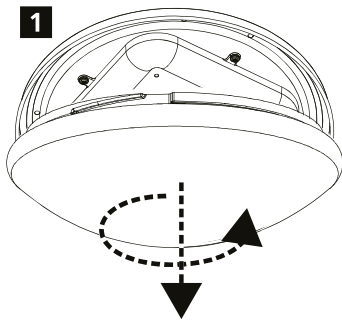
D = 265 mm 18W  
D = 265 mm 24W



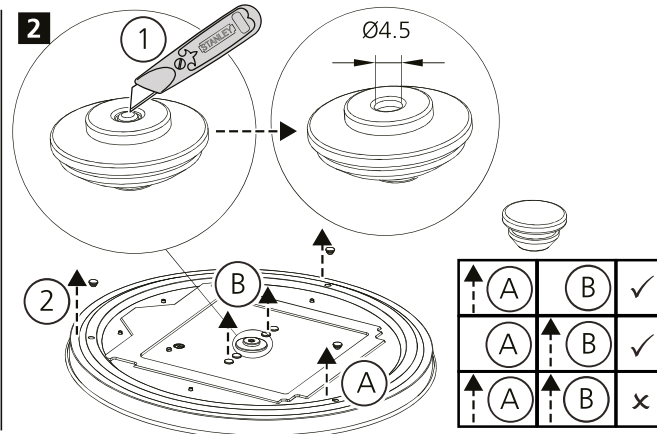
18W



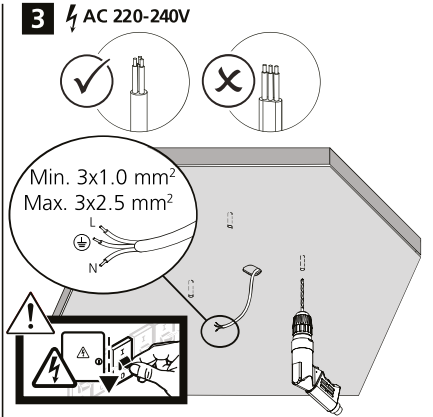
24W



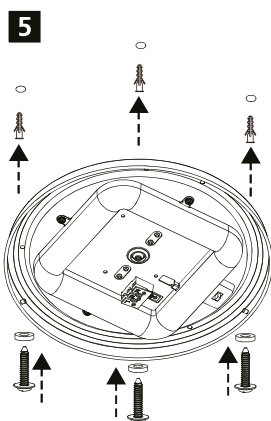
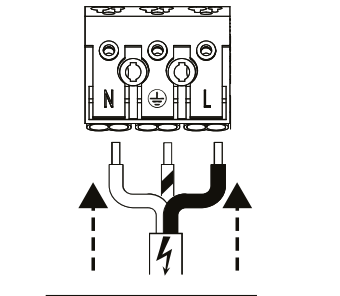
1



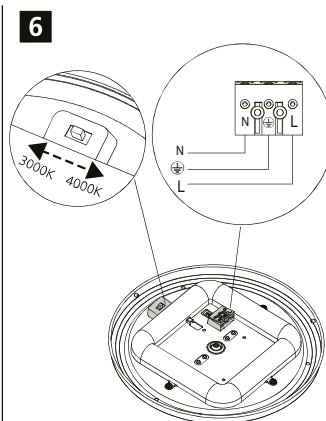
2



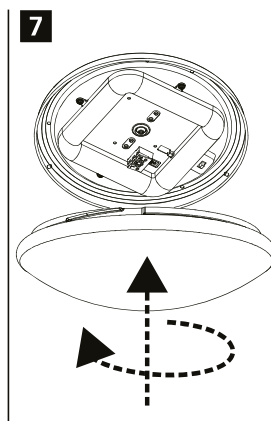
4 ⚡ AC 220-240V



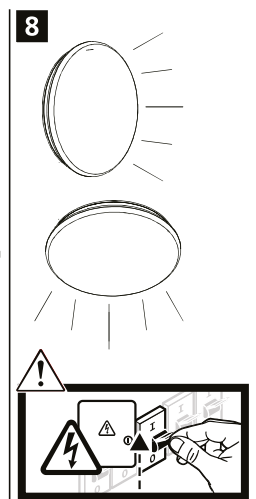
5



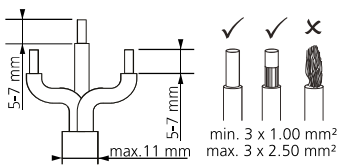
6



7

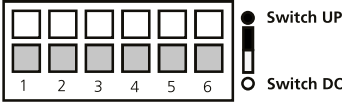


8



	18W (pcs)	24W (pcs)
10A C-type	15	15
16A C-type	24	24

  **Sensitivity**







Switch UP  
Switch DOWN

→

5	6	
●	●	Disable
○	●	50lux
●	○	10lux
○	○	2lux

**LUX**

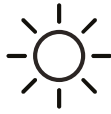

 



 


→

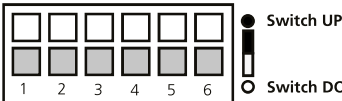
5	6	
●	●	Disable
○	●	50lux
●	○	10lux
○	○	2lux

**LUX**

  **Detection range**

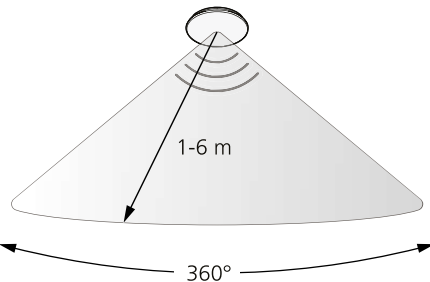


Switch UP  
Switch DOWN

→

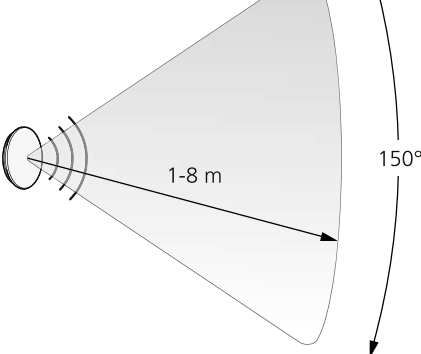
1	2	
●	●	100%
○	●	75%
●	○	50%
○	○	10%

**SENS**



1-6 m

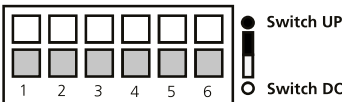
360°



1-8 m

150°

  **Delay**

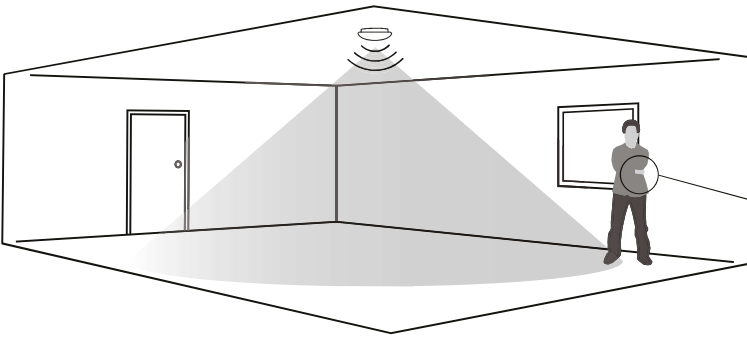




Switch UP  
Switch DOWN

→

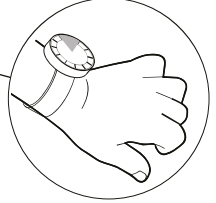
3	4	
●	●	5s
○	●	90s
●	○	5min
○	○	15min

**TIME**

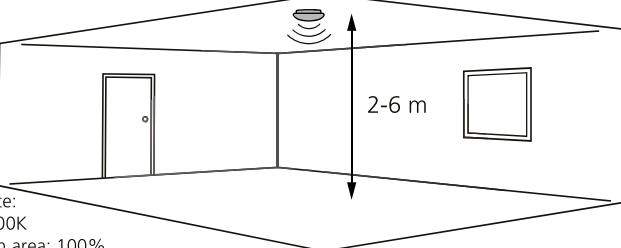


 → 

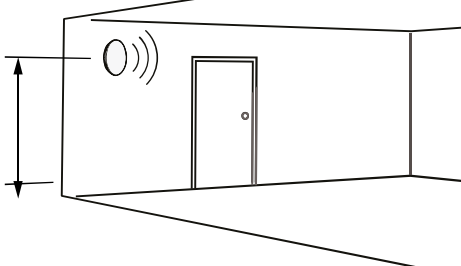
5s/90s/5min/15min



  **Installation height**



2-6 m



1.8-3 m

Initial state:  
CCT: 3000K  
Detection area: 100%  
Hold time: 90s  
Daylight: 2lux