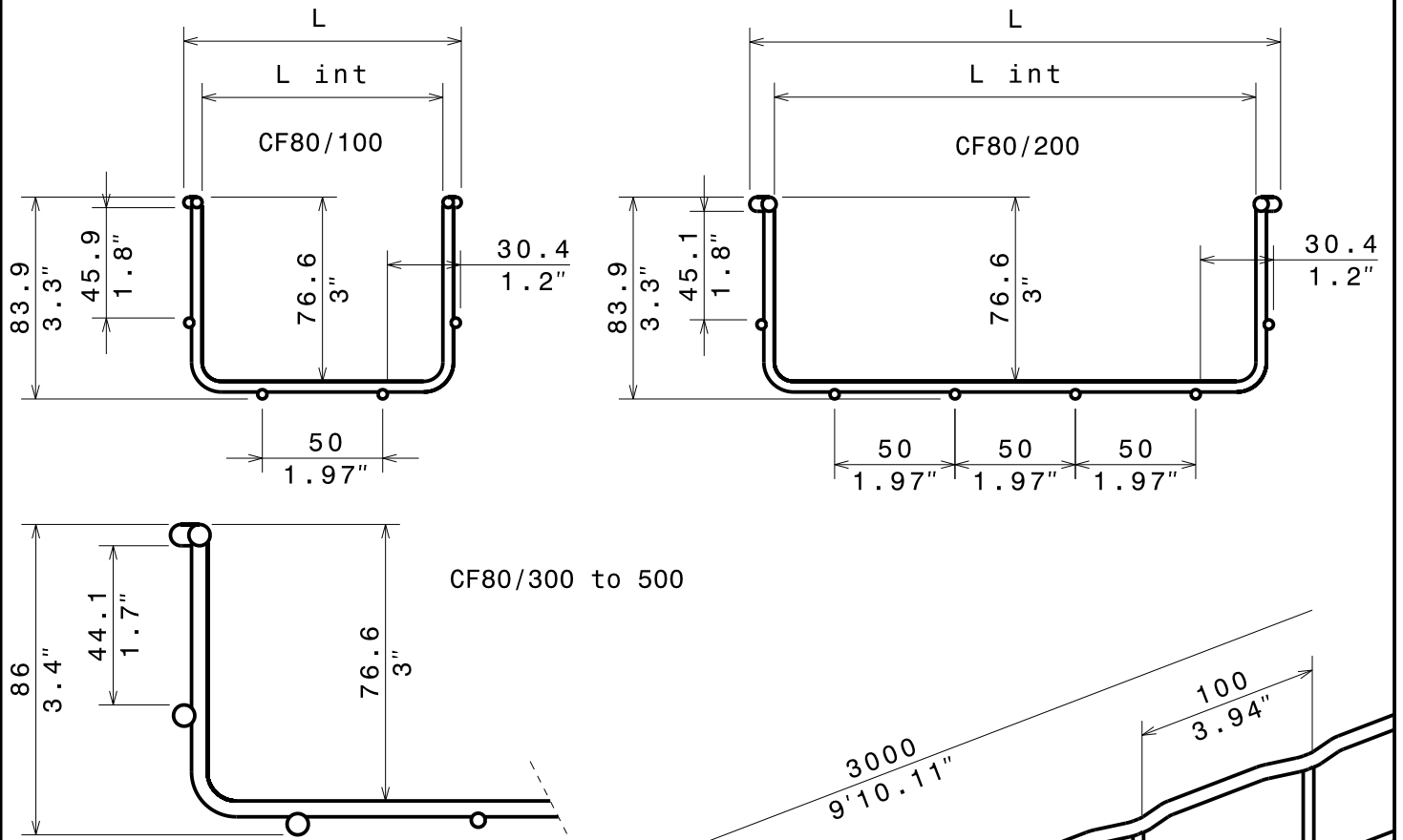


Designation: CABLOFIL CF80

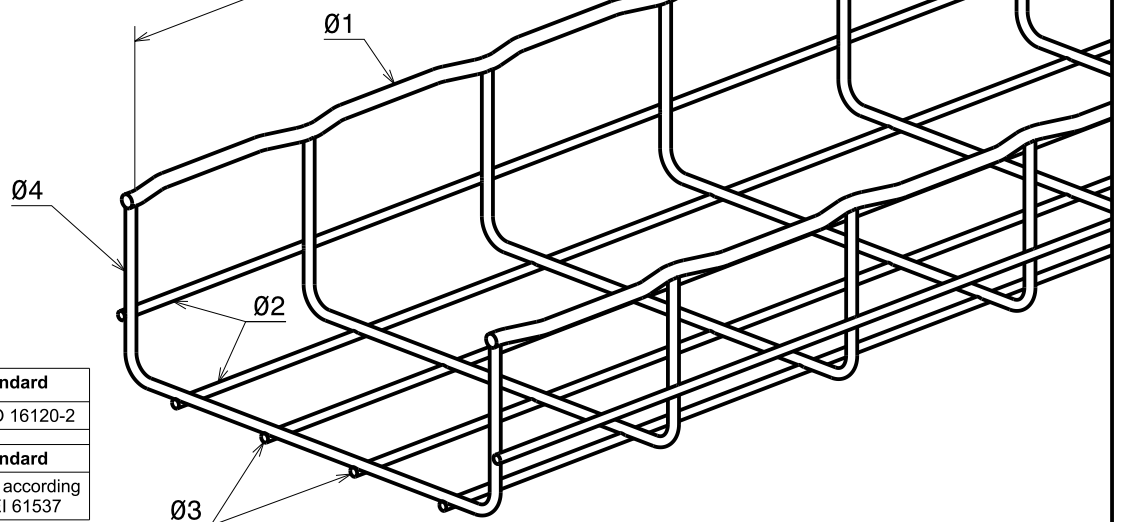
Reference(s): 800 103/203/303/403/503

GC



Ø (mm)	Ø (inch)
3.9	0,154
4.4	0,173
5.9	0,232

Material	Standard
C4D to C9D	EN ISO 16120-2
Finition Coating	Standard
GC / HDG	Class 6 according to CEI 61537



REF	CODE	POIDS/WEIGHT		Ø1	Ø2	Ø3	Ø4	L int		L	
		(Kg)	(lb)					mm	inch	mm	inch
CF80/100	800103	0.980	0.445	4.4	3.9	/	4.4	100	3,937	115.3	4.539
CF80/200	800203	1.530	0.694	5.9	3.9	3.9	4.4	200	7,874	220.5	8.681
CF80/300	800303	2.380	1.080	5.9	5.9	3.9	4.4	300	11,811	320.5	12.618
CF80/400	800403	2.710	1.229	5.9	5.9	3.9	4.4	400	15,748	420.5	16.555
CF80/500	800503	3.040	1.379	5.9	5.9	3.9	4.4	500	19,685	520.5	20.492

Technical sheet: FT0019/3

Last update: 12/02/2016

Created: 10/11/2012