



Product designation				Power contactor
Product type designation				BF18
<b>Contact characteristics</b>				
Number of poles	Nr.			3
Rated insulation voltage $U_i$ IEC/EN	V			690
Rated impulse withstand voltage $U_{imp}$	kV			6
Operational frequency	min	Hz	25	
	max	Hz	400	
IEC Conventional free air thermal current $I_{th}$	A			32
Operational current $I_e$	AC-1 ( $\leq 40^\circ\text{C}$ )	A	32	
	AC-1 ( $\leq 55^\circ\text{C}$ )	A	26	
	AC-1 ( $\leq 70^\circ\text{C}$ )	A	23	
	AC-3 ( $\leq 440\text{V} \leq 55^\circ\text{C}$ )	A	18	
	AC-4 (400V)	A	8.5	
Rated operational power AC-3 ( $T \leq 55^\circ\text{C}$ )	230V	kW	4	
	400V	kW	7.5	
	415V	kW	9	
	440V	kW	9	
	500V	kW	10	
	690V	kW	10	
Rated operational power AC-1 ( $T \leq 40^\circ\text{C}$ )	230V	kW	12	
	400V	kW	21	
	500V	kW	26	
	690V	kW	36	
IEC max current $I_e$ in DC1 with $L/R \leq 1\text{ms}$ with 1 poles in series	$\leq 24\text{V}$	A	17	
	48V	A	15	
	75V	A	15	
	110V	A	6	
	220V	A	-	
IEC max current $I_e$ in DC1 with $L/R \leq 1\text{ms}$ with 2 poles in series	$\leq 24\text{V}$	A	20	
	48V	A	20	
	75V	A	20	
	110V	A	13	
	220V	A	1	
IEC max current $I_e$ in DC1 with $L/R \leq 1\text{ms}$ with 3 poles in series	$\leq 24\text{V}$	A	22	
	48V	A	22	
	75V	A	20	
	110V	A	16	

	220V	A	11
<hr/>			
IEC max current I <sub>e</sub> in DC1 with L/R ≤ 1ms with 4 poles in series			
	≤24V	A	22
	48V	A	22
	75V	A	20
	110V	A	18
	220V	A	13
<hr/>			
IEC max current I <sub>e</sub> in DC3-DC5 with L/R ≤ 15ms with 1 poles in series			
	≤24V	A	12
	48V	A	11
	75V	A	11
	110V	A	2
	220V	A	–
<hr/>			
IEC max current I <sub>e</sub> in DC3-DC5 with L/R ≤ 15ms with 2 poles in series			
	≤24V	A	15
	48V	A	13
	75V	A	13
	110V	A	8
	220V	A	2
<hr/>			
IEC max current I <sub>e</sub> in DC3-DC5 with L/R ≤ 15ms with 3 poles in series			
	≤24V	A	18
	48V	A	18
	75V	A	16
	110V	A	12
	220V	A	6
<hr/>			
IEC max current I <sub>e</sub> in DC3-DC5 with L/R ≤ 15ms with 4 poles in series			
	≤24V	A	18
	48V	A	18
	75V	A	16
	110V	A	13
	220V	A	8
<hr/>			
Short-time allowable current for 10s (IEC/EN60947-1)		A	200
<hr/>			
Protection fuse			
	gG (IEC)	A	32
	aM (IEC)	A	20
<hr/>			
Making capacity (RMS value)		A	180
<hr/>			
Breaking capacity at voltage			
	440V	A	144
	500V	A	120
	690V	A	94
<hr/>			
Resistance per pole (average value)		mΩ	2.5
<hr/>			
Power dissipation per pole (average value)			
	I <sub>th</sub>	W	2.6
	AC-3	W	0.8
<hr/>			
Tightening torque for terminals			
	min	Nm	1.5
	max	Nm	1.8
	min	I <sub>bin</sub>	1.1
	max	I <sub>bin</sub>	1.5
<hr/>			
Tightening torque for coil terminal			
	min	Nm	0.8
	max	Nm	1
	min	I <sub>bin</sub>	0.8

	max	I <sub>bin</sub>	0.74
Max number of wires simultaneously connectable		Nr.	2
Conductor section			
AWG/Kcmil	max		10
Flexible w/o lug conductor section	min	mm <sup>2</sup>	1
	max	mm <sup>2</sup>	6
Flexible c/w lug conductor section	min	mm <sup>2</sup>	1
	max	mm <sup>2</sup>	4
Flexible with insulated spade lug conductor section	min	mm <sup>2</sup>	1
	max	mm <sup>2</sup>	4
Power terminal protection according to IEC/EN 60529			IP20 when properly wired

**Mechanical features**

Operating position	normal allowable		Vertical plan ±30°
Fixing			Screw / DIN rail 35mm
Weight		g	496
Conductor section			
AWG/kcmil conductor section	max		10

**Auxiliary contact characteristics**

Thermal current I <sub>th</sub>		A	10
IEC/EN 60947-5-1 designation			A600 - P600
Operating current AC15	230V	A	3
	400V	A	1.9
	500V	A	1.4
Operating current DC12	110V	A	5.7
Operating current DC13	24V	A	5.7
	48V	A	2.9
	60V	A	2.3
	110V	A	1.25
	125V	A	1.1
	220V	A	0.55
	600V	A	0.2

**Operations**

Mechanical life	cycles	20000000
Electrical life	cycles	1600000

**Safety related data**

Performance level B10d according to EN/ISO 13489-1	rated load	cycles	1600000
	mechanical load	cycles	20000000
Mirror contacts according to IEC/EN 60947-4-1			yes
EMC compatibility			yes

**DC coil operating**

DC rated control voltage		V	110
DC operating voltage			
	pick-up	min	%Us 70
		max	%Us 125
	drop-out	min	%Us 10
		max	%Us 40
Average coil consumption $\leq 20^{\circ}\text{C}$			
	in-rush	W	5.4
	holding	W	5.4

**Max cycles frequency**

Mechanical operation		cycles/h	3600
----------------------	--	----------	------

**Operating times**

Average time for Us control			
	in AC		
	Closing NO	min	ms 8
		max	ms 24
	Opening NO	min	ms 10
		max	ms 20
	Closing NC	min	ms 14
		max	ms 28
	Opening NC	min	ms 7
		max	ms 18
	in DC		
	Closing NO	min	ms 54
		max	ms 66
	Opening NO	min	ms 14
		max	ms 17

**UL technical data**

Full-load current (FLA) for three-phase AC motor			
	at 480V	A	14
	at 600V	A	17

Yielded mechanical performance			
	for single-phase AC motor		
		110/120V	HP 1
		230V	HP 3
	for three-phase AC motor		
		200/208V	HP 5
		220/230V	HP 5
		460/480V	HP 10
		575/600V	HP 15

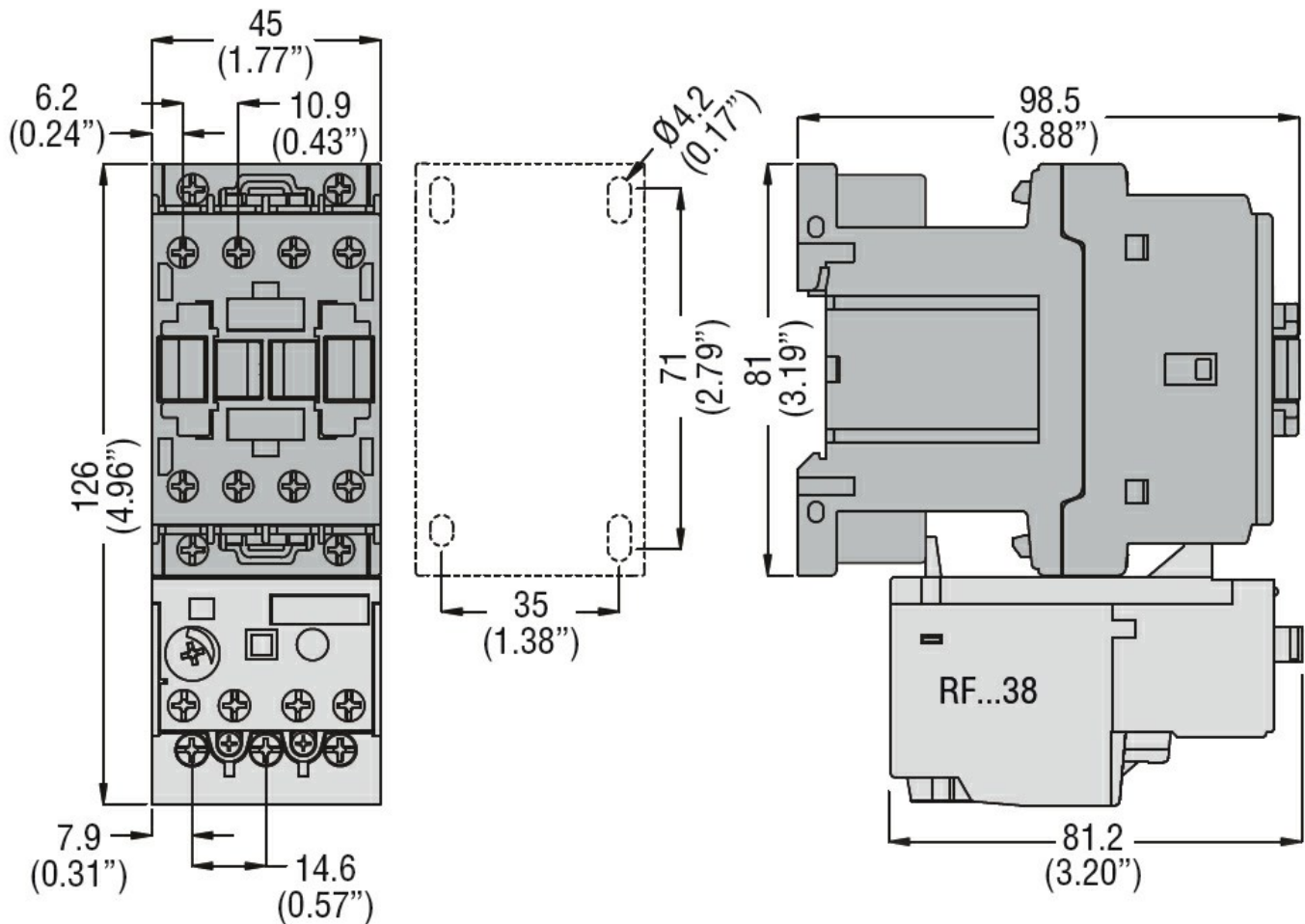
General USE			
	Contactor		
		AC current	A 32
	Auxiliary contacts		
		AC voltage	V 600
		AC current	A 10

	DC voltage	V	250
	DC current	A	1
<hr/>			
Short-circuit protection fuse, 600V High fault	Short circuit current	kA	100
	Fuse rating	A	60
	Fuse class		J
<hr/>			
Standard fault	Short circuit current	kA	5
	Fuse rating	A	80
<hr/>			
Contact rating of auxiliary contacts according to UL			A600 - P600
<hr/>			
<b>Ambient conditions</b>			
Temperature			
Operating temperature			
	min	°C	-50
	max	°C	70
<hr/>			
Storage temperature			
	min	°C	-60
	max	°C	80
<hr/>			
Max altitude		m	3000

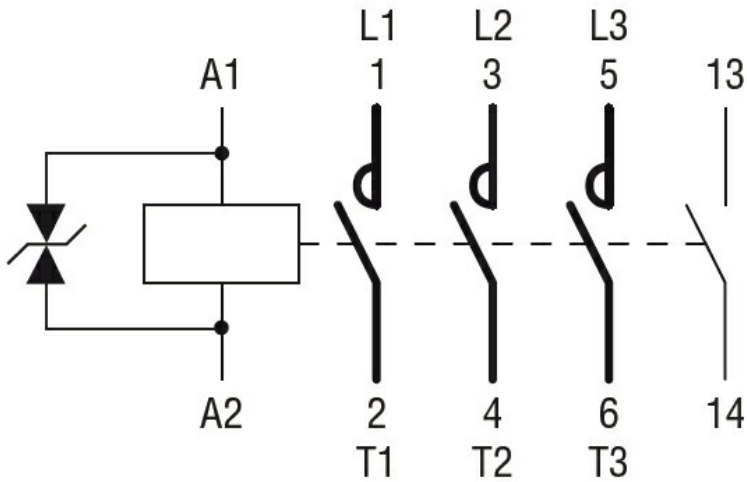
**Resistance & Protection**

Pollution degree	3
------------------	---

**Dimensions**



**Wiring diagrams**



### Certifications and compliance

#### Compliance

CSA C22.2 n° 60947-1

CSA C22.2 n° 60947-4-1

IEC/EN/BS 60947-1

IEC/EN/BS 60947-4-1

UL 60947-1

UL 60947-4-1

#### Certificates

CCC

cULus

EAC

### ETIM classification

ETIM 8.0

EC000066 -  
Power contactor,  
AC switching