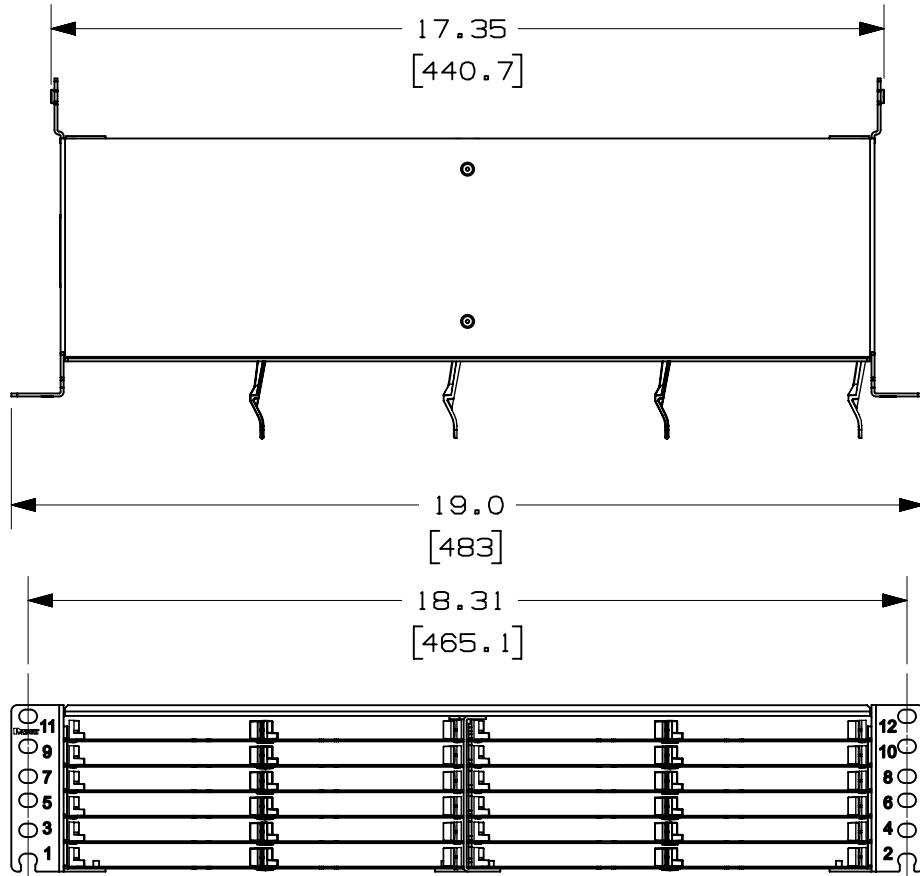
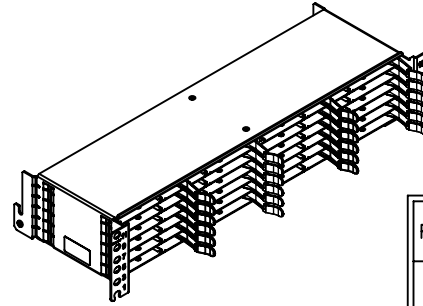


THIS COPY IS PROVIDED ON A RESTRICTED BASIS AND IS NOT TO BE USED IN ANY WAY DETRIMENTAL TO THE INTERESTS OF PANDUIT CORP.

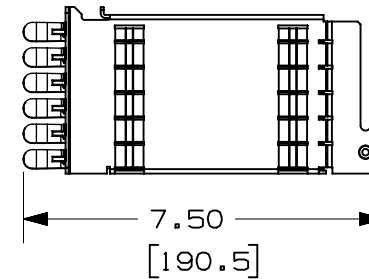


NOTES:

1. ALL MATERIALS AND COMPONENTS USED MEET THE MATERIAL RESTRICTIONS OF RoHS (EUROPEAN DIRECTIVE 2011/65/EC ON THE RESTRICTION OF HAZARDOUS SUBSTANCES) AS PROPOSED BY THE RoHS TECHNICAL ADAPTATION COMMITTEE.

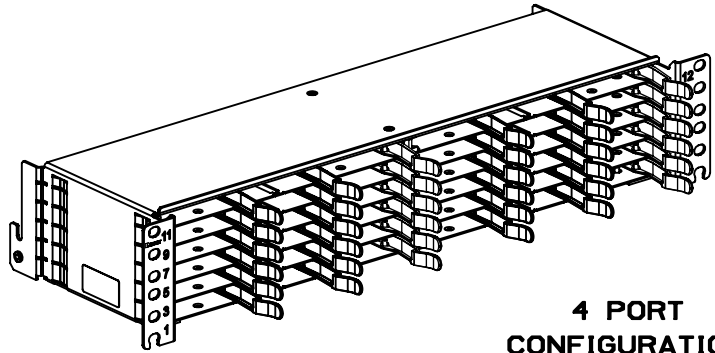


PANDUIT PART NO.	WEIGHT
FLEX2UPN04	9.48 lbs (4.30 kg)
FLEX2UPN06	9.38 lbs (4.25 kg)
FLEX2UPN12	9.21 lbs (4.18 kg)

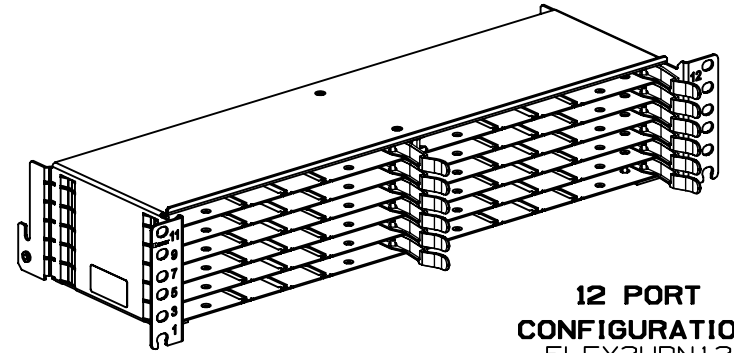


REV	DATE	BY	CHK	APR	DESCRIPTION	ECN
01	10-14-16	SAT	JESA	TMK	RELEASED TO PRODUCTION	15F318AE-DC

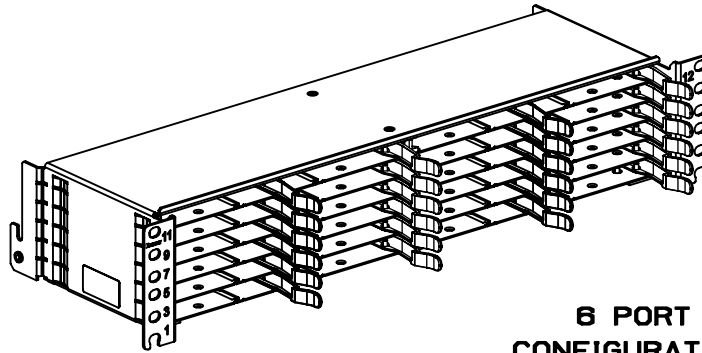
TITLE		HD FLEX PATCH PANEL	
CUSTOMER DRAWING			
ITEM REVISION NAME		15F318AE/02	
DATASET FILE NAME		15F318AE_DC/02B	
UNLESS OTHERWISE SPECIFIED, DIMENSIONAL TOLERANCES ARE: IN [mm]		PART NO.	
ALL DIMENSIONS ARE FOR REFERENCE ONLY		FLEX2UPN**	
DRAWING NUMBER:		15F318AE-DC	
DRAWN BY	DATE	CHK	SCALE
SAT	08-03-16	JESA	NONE
SHT 1 OF 2		SIZE	
A		A	



**4 PORT
CONFIGURATION
FLEX2UPN04**


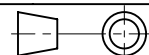


**12 PORT
CONFIGURATION
FLEX2UPN12**



**6 PORT
CONFIGURATION
FLEX2UPN06**

SEE SHEET 1 FOR REVISION

TITLE		HD FLEX PATCH PANEL	
CUSTOMER DRAWING			
ITEM REVISION NAME	15F318AE/02		
DATASET FILE NAME	15F318AE_DC/02B		
UNLESS OTHERWISE SPECIFIED, DIMENSIONAL TOLERANCES ARE: IN [mm]			
ALL DIMENSIONS ARE FOR REFERENCE ONLY		PART NO.	FLEX2UPN**
		DRAWING NUMBER:	15F318AE-DC

REV	DATE	BY	CHK	APR	DESCRIPTION	ECN	DRAWN BY	DATE	CHK	SCALE	DRAWING NUMBER:	SIZE
							SAT	08-03-16	JESA	NONE	SHT 2 OF 2	A