

DC main switch for photovoltaic installations

C60NA-DC (cont.)

Application diagram

DE404622

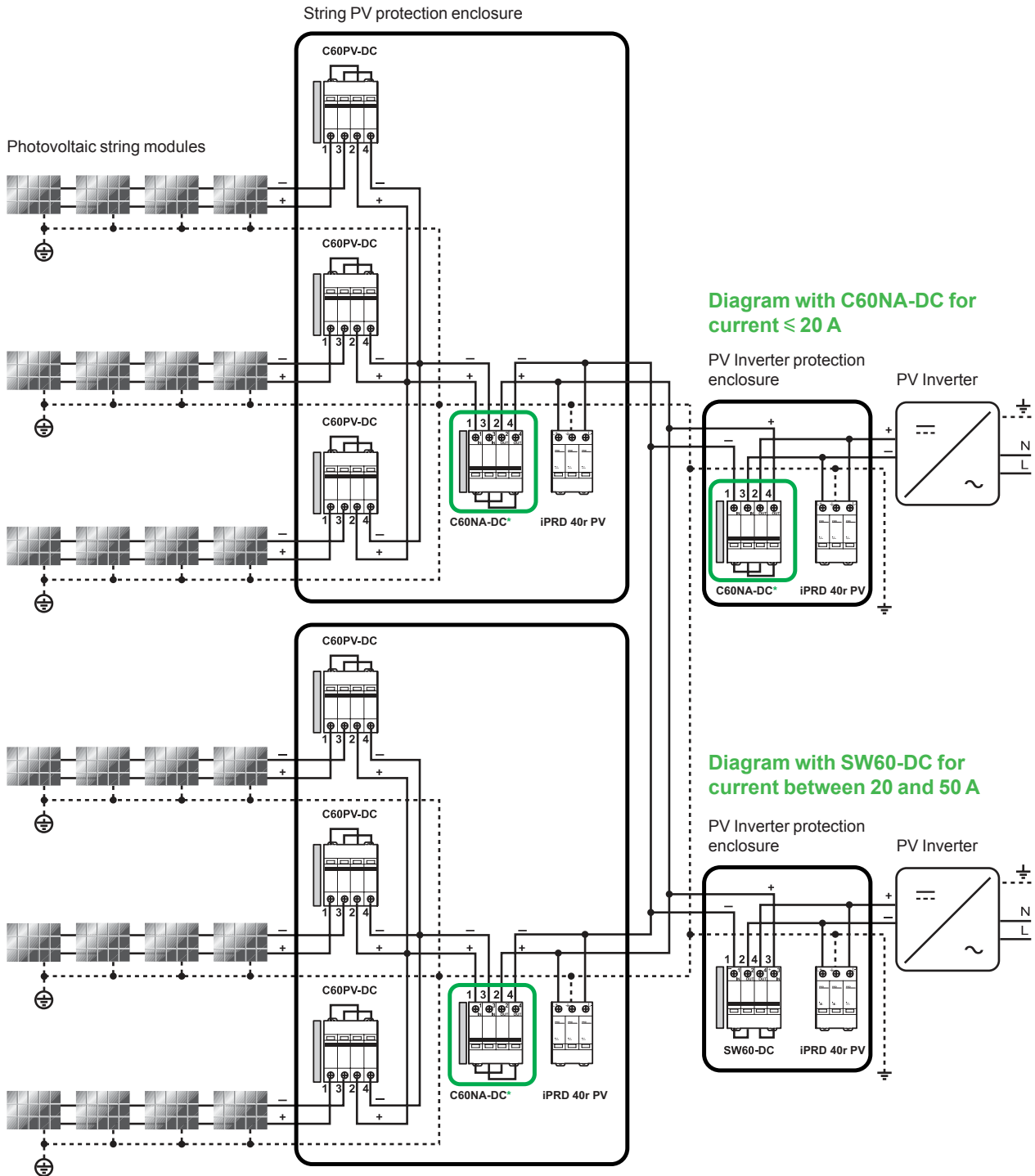


Diagram with C60NA-DC for current ≤ 20 A

Diagram with SW60-DC for current between 20 and 50 A

*C60NA-DC:
20 A/1000 V DC or
32 A/800 V DC or
50 A/700 V DC

MN, MX, MNx, MN \oplus , MX+OF,
OF, SD, OF+SD/OF, OF+SD24