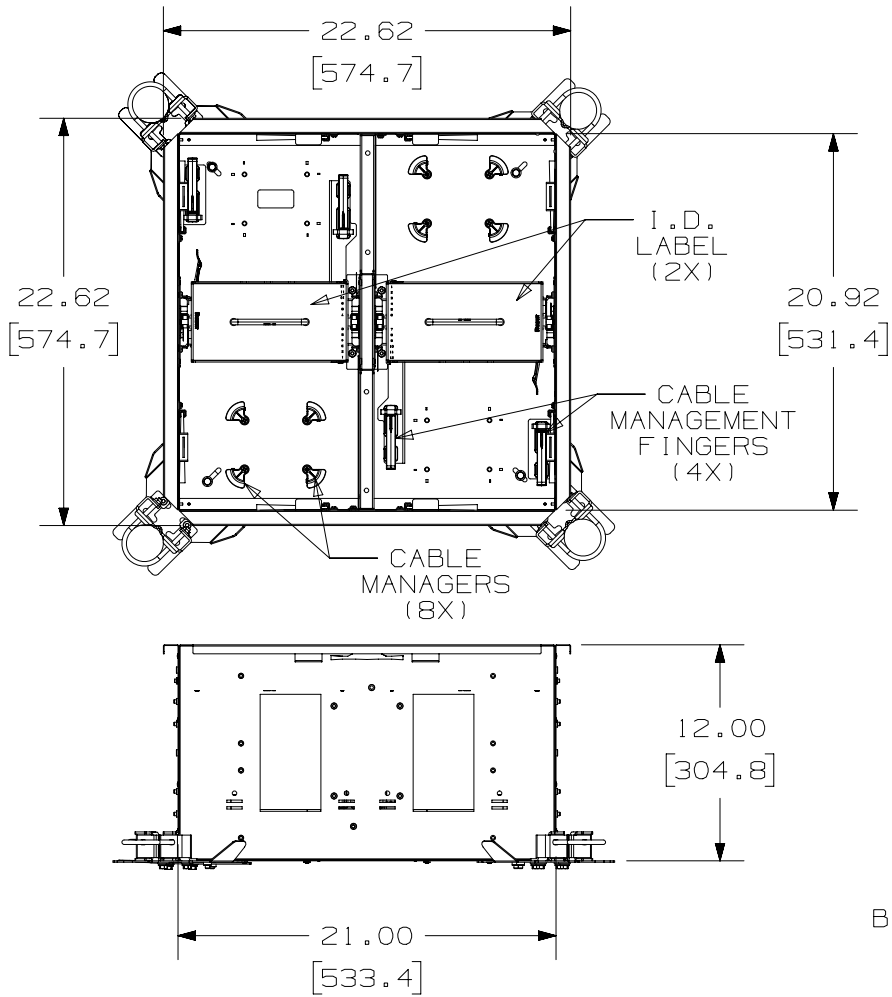


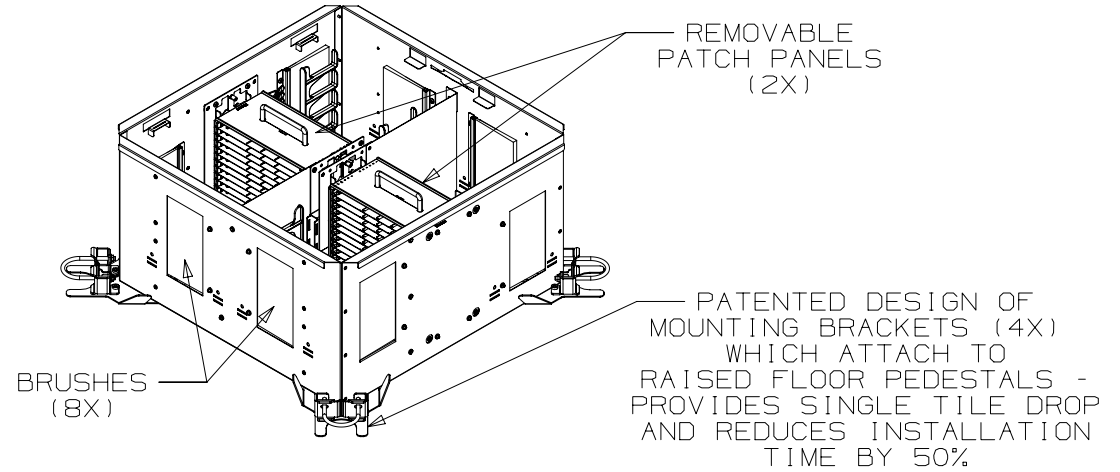
THIS COPY IS PROVIDED ON A RESTRICTED BASIS AND IS NOT TO BE USED IN ANY WAY DETRIMENTAL TO THE INTERESTS OF PANDUIT CORP.



PANDUIT P/N	WEIGHT
FLEX-ZRFEG	42 LB/EACH PC (19 kg/EACH PC)

**NOTES:**

- VISIT OUR ONLINE CATALOG AT [WWW.PANDUIT.COM](http://WWW.PANDUIT.COM) FOR A LIST OF PARTS APPLICABLE FOR USE WITH THIS PRODUCT.
- PART COMPATIBLE OUT-OF-BOX WITH 12-PORT HD FLEX CASSETTES; RAILS SOLD SEPARATELY TO SUPPORT HD FLEX 4-PORT, 6-PORT CASSETTES AND FIBER ADAPTER PANELS.
- DIMENSIONS IN PARENTHESES ARE IN METRIC.
- UL 2043 RATED FOR USE IN PLENUM SPACE.
- PART INCLUDES:
  - ENCLOSURE
  - 144-PORT PATCH PANELS (REMOVABLE)
  - PEDESTAL SUPPORT MOUNTING BRACKETS
  - MAGNETIC RULER (FOR ALIGNMENT)
  - CABLE MANAGEMENT FINGERS (REMOVABLE)
  - NYLON BRUSHES AT EACH OPENING (REMOVABLE)
  - CABLE MANAGERS (REMOVABLE)
  - PORT I.D. LABELS (REMOVABLE)



REV	DATE	BY	CHK	APR	DESCRIPTION	ECN
00A	10-30-19	SAT	TMSE	AW	RELEASED TO PRODUCTION	00053EAZ-DC

TITLE <b>HD FLEX ZONE RAISED FLOOR ENCLOSURE (FLEX-ZRFEG)</b> CUSTOMER DRAWING					
ITEM REVISION NAME <b>00053EAZ/03</b>					
DATASET FILE NAME <b>00053EAZ_DC/03A</b>					
UNLESS OTHERWISE SPECIFIED, DIMENSIONAL TOLERANCES ARE:					MATERIAL:  <b>PANDUIT</b>
INCHES		METRIC - MILLIMETER		ANGLE	
X.X	+/- 0.03	X.	+/- 0.8	+/- 1°	
X.XX	+/- 0.018	X.X	+/- 0.46		
X.XXX	+/- 0.007	X.XX	+/- 0.18		
DRAWING NUMBER: <b>00053EAZ-DC</b>					
THIRD ANGLE PROJECTION	DRAWN BY: <b>TMSE</b> DATE: <b>9-19-19</b> CHK: <b>RYB</b> SCALE: <b>NONE</b>				
SHT 1 OF 1					SIZE: <b>A</b>